

4

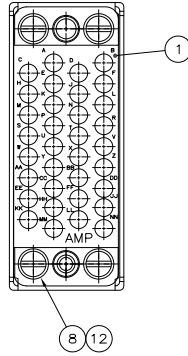
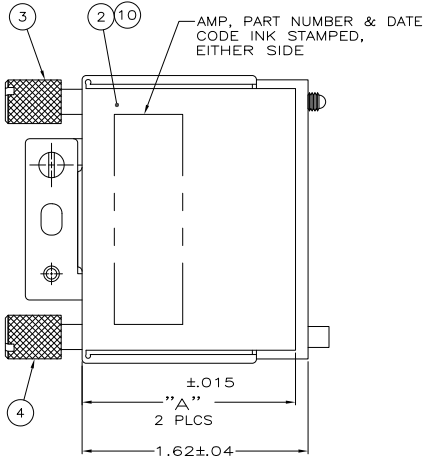
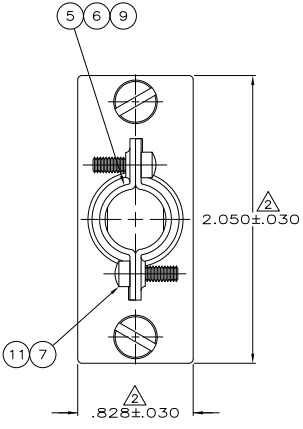
3

2

1

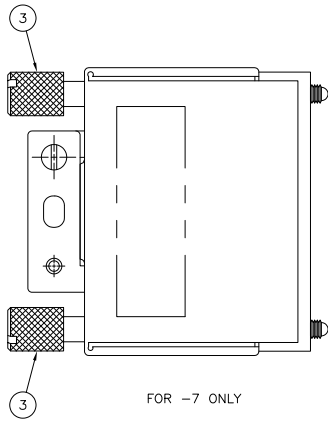
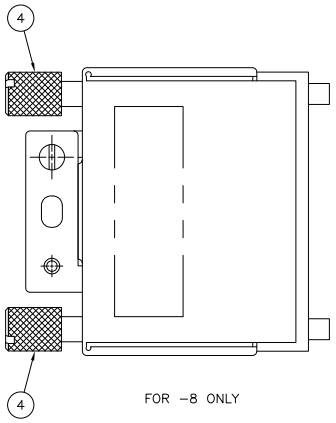
THIS DRAWING IS UNPUBLISHED. RELEASED FOR PUBLICATION. ALL RIGHTS RESERVED.

LOC	DIST	REVISIONS					
FT	0	P	LTR	DESCRIPTION	DATE	BY	APPD
		F4		REVISED PER ECO-11-024884	14DEC11	KH	DR



- 1 PARTIALLY ASSEMBLED.
- △ DIMENSION APPLIES AT BASE OF BEND.
- △ ALL ITEMS BULK PACKAGED SEPARATELY WITHOUT INK MARKING.
- △ PRELIMINARY PART NO.
- △ FINISH: ZINC PLATE WITH HEXAVALENT CHROMATE.
- △ FINISH: ZINC PLATE WITH NON-HEXAVALENT CHROMATE.
- △ OBSOLETE PARTS: OBSOLETE CIS STREAMLINING PER D.RENAUD/D.SINISI

DIM	A	CABLE AREA SQUARE INCHES	PART NUMBER
1.530	.1491	-.2336	213522-8
1.530	.1491	-.2336	213522-7
1.530	.1491	-.2336	213522-6
△ OBSOLETE	1.225	.1491	-.2336 213522-5
△ OBSOLETE	1.530	.0314	-.0707 213522-4
△ OBSOLETE	1.530	.1491	-.2336 213522-3
1.530	.1176	-.1643	213522-2
1.530	.1491	-.2336	213522-1



QTY	DESCRIPTION	MATERIAL	ITEM NO.
1	RECEPTACLE HOUSING, MOD 2 FEMALE JACKSCREW	PHENOLIC, BLACK	13
4	SCREW, #4-40, .250 LONG	STEEL, PLATED ZINC	11
2	SCREW, #4-40, .375 LONG	STEEL, PLATED ZINC	12
1	SHIELD, SHORT/SHORT	ALUMINUM, ANODIZED	10
2	CABLE CLAMP	STEEL, PLATED ZINC	9
4	SCREW, #4-40, .250 LONG	STEEL, PLATED ZINC	8
2	SCREW, #4-40, .375 LONG	STEEL, PLATED ZINC	7
2	CABLE CLAMP	STEEL, PLATED ZINC	6
2	CABLE CLAMP	STEEL, PLATED ZINC	5
2	JACKSCREW, FEMALE	STAINLESS STEEL	4
2	JACKSCREW, MALE	STAINLESS STEEL	3
1	SHIELD, SHORT	ALUMINUM, ANODIZED	2
1	RECEPTACLE HOUSING, MOD	PHENOLIC, BLACK	1

THIS DRAWING IS A CONTROLLED DOCUMENT. **TE Connectivity**

DATE: 4-6-08
 BY: D. ERDMAN
 CHECKED BY: S. STONE
 TITLE: KIT ASSEMBLY, RECEPTACLE, 34 POSITION, M SERIES

SIZE: A2
 CASE CODE: 00779
 DRAWING NO: C-213522

CUSTOMER DRAWING
 SCALE: 2:1
 SHEET: 1 of 1
 REV: F4