



## Introducing TE LED holder for Philips Lumileds LUXEON® K

The TE Solderless LED Holder, Type Z50, is a circular LED holder that provides a quick and easy solderless connection to the Philips Lumileds LUXEON K 12 and 16 LED array families. TE's Type Z50 holder allows the direct attachment of LUXEON K LEDs to a heat sink using standard screws, which enables designs to be more reliable, easier to user, and faster to market. The Type Z50 reduces assembly costs and provides a reliable solderless power connection, secure mechanical attachment, proper thermal hold down forces, and a landing zone with attachment features for additional secondary optics.

### KEY FEATURES

- Snap-in LED retention feature simplifies installation by securing the LED to the holder before mounting
- Poke-in wire connection eliminates time consuming soldering to the LED
- Enables constant thermal down force to minimize influence by thermal plastic deformation at high temperature
- Makes easy and clean thermal paste application possible with built-in excess paste overflow feature
- Provides a specified and stable landing area for additional secondary optics
- Optional alternate mechanical optic attachment accessory
- Minimalistic aesthetic design with clear polarity indication to aid assembly
- Mechanically strong and robust design with negligible light interference
- Available optics from Carclo and LEDIL for Zhaga version

### APPLICATIONS

- Spotlights
- Down Lights
- Stage lights
- Wall washers
- Architectural lighting

### MECHANICAL

- Operating temperature range -40 to 105°C
- Utilize a minimum screw size of #4 or M3 for attachment
- Poke-in style electrical contacts supporting 18-22 AWG (0.35 - 0.75mm<sup>2</sup>) solid, fused and stranded wire
- Zhaga compatible 50mm diameter by 6mm high
- Low profile 45mm by 3.4mm high

### ELECTRICAL

- Current rating: 5A
- Voltage rating: 60VDC
- Designed to comply to UL1977 which may help application approbation according to UL8750 and UL1598
- IEC 60838-2-2

### MATERIALS

- High Mechanical strength
- High heat resistance
- Good electrical properties
- UL94V-0 flammability rating

### PRODUCT OFFERING

Z50 Low Profile Holder profile:	<b>2213134-1</b>
Z50 Zhaga profile with optic attachment holes:	<b>2213134-2</b>
<b>Optional:</b>	
Z50 Reflector Optics Retaining Clip Model 1:	<b>2213194-1</b>

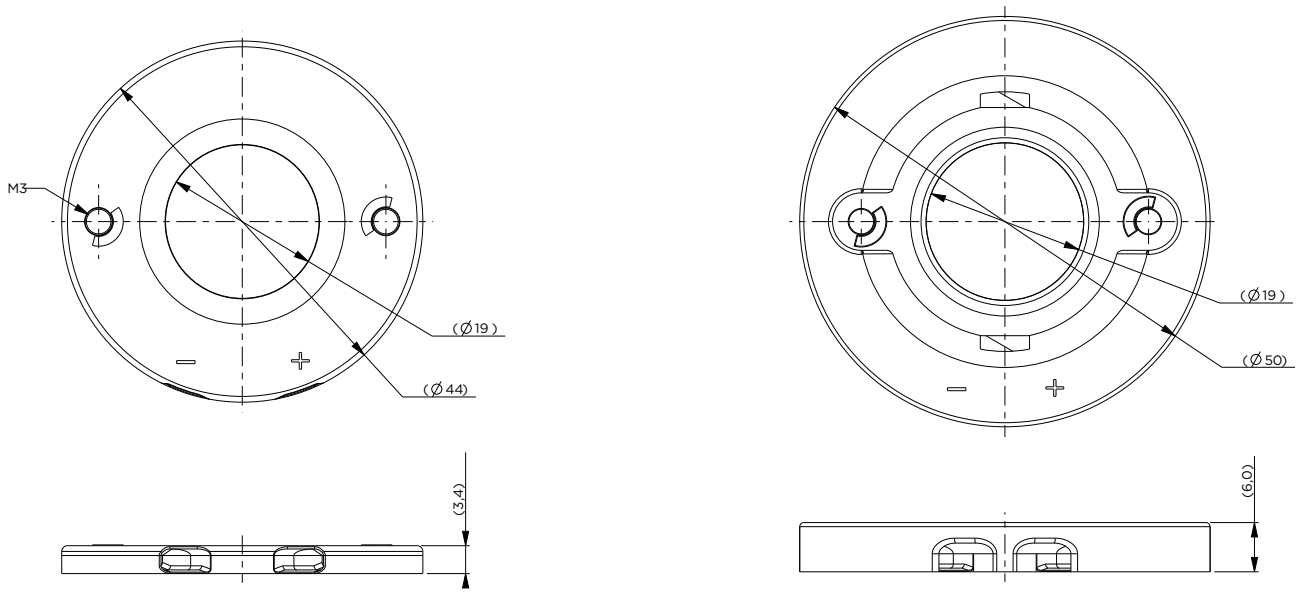
### APPLICATIONS AND SPECIFICATIONS

- Application specification #: **114-32047**
- Product Specification #: **108-133009**
- Product Drawing #: **2213134**

**PHILIPS**  
LUMILEDS

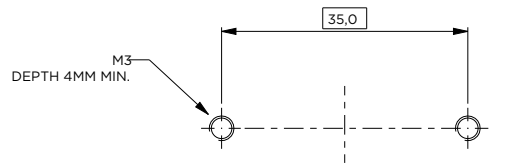


PRODUCT DIMENSIONS





Low Profile Version

Zhaga profile with optic attachment feature



Recommended Mounting Hole Pattern

Available Optics

TE Holder	Optics Partner	Product	Website	TE Attachment Accessory Required
2213134-2		NEWTON Series Reflectors	www.carclo-optics.com	None
2213134-2		ANGELA and ANGELINA Series Reflectors	www.ledil.com	2213194-1 (Reflector Optics Retaining Clip Model 1)

Dimensions are shown for reference purposes only. Specifications subject to change. Customer drawing should be used for all design activity.

