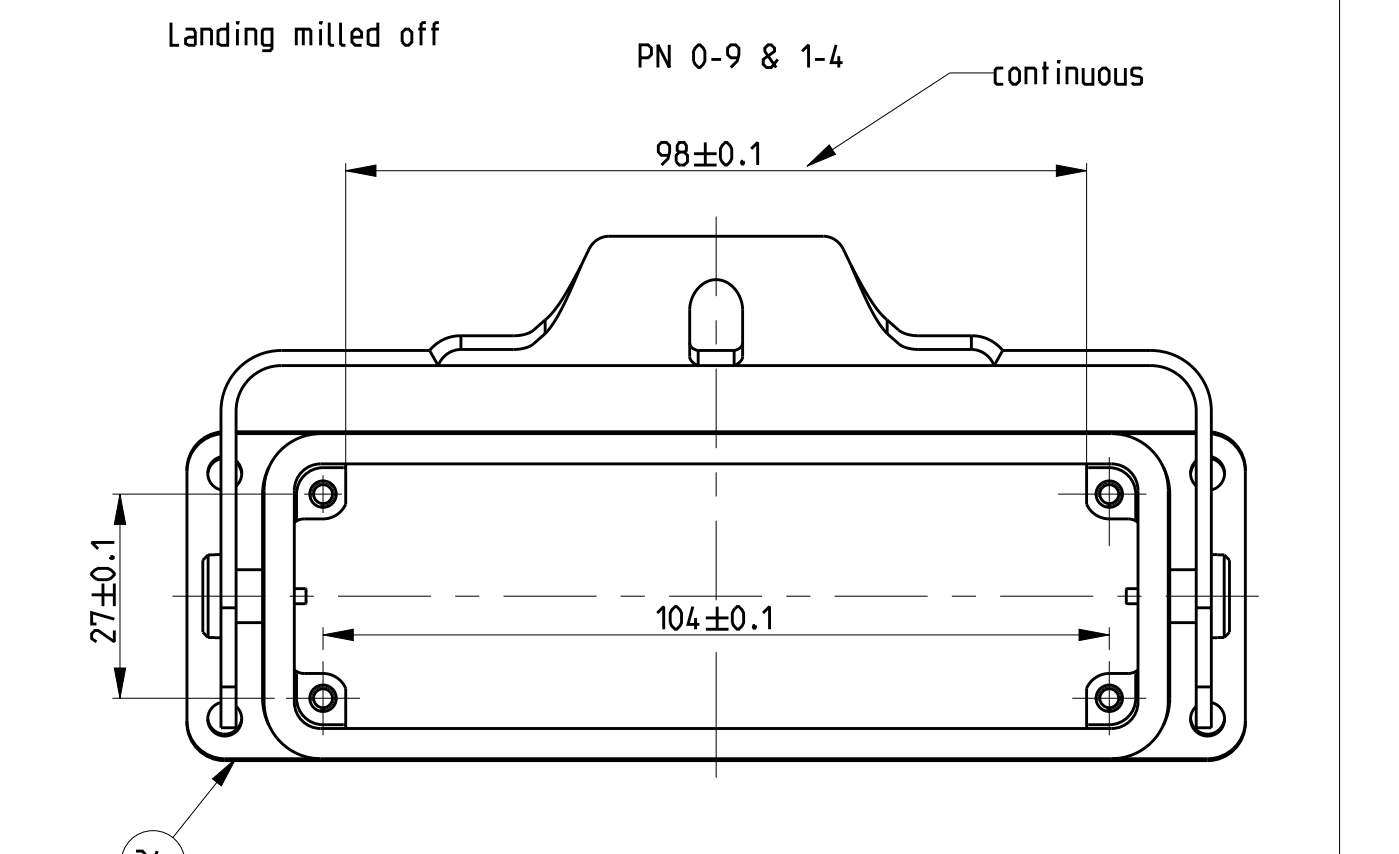
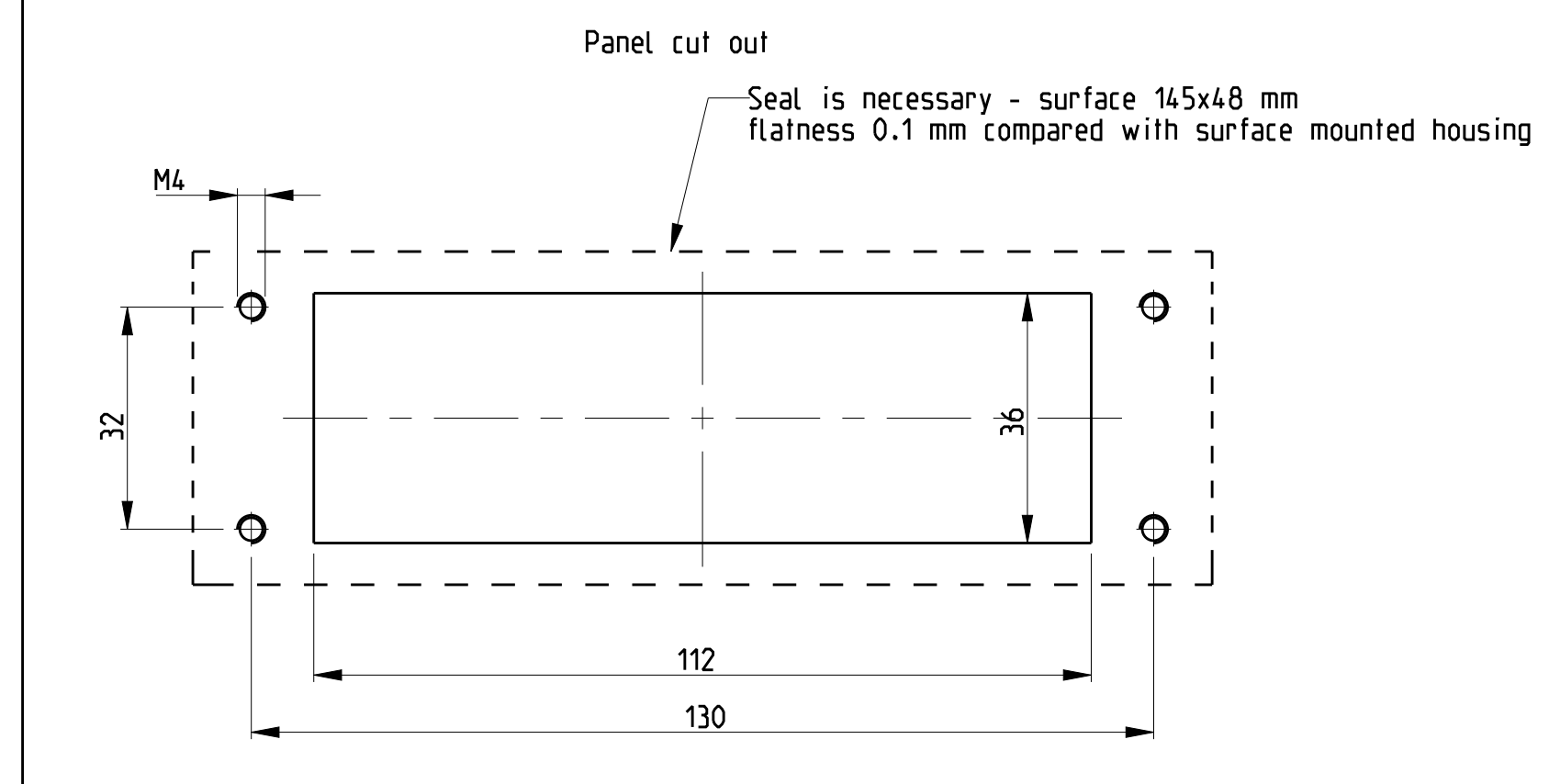
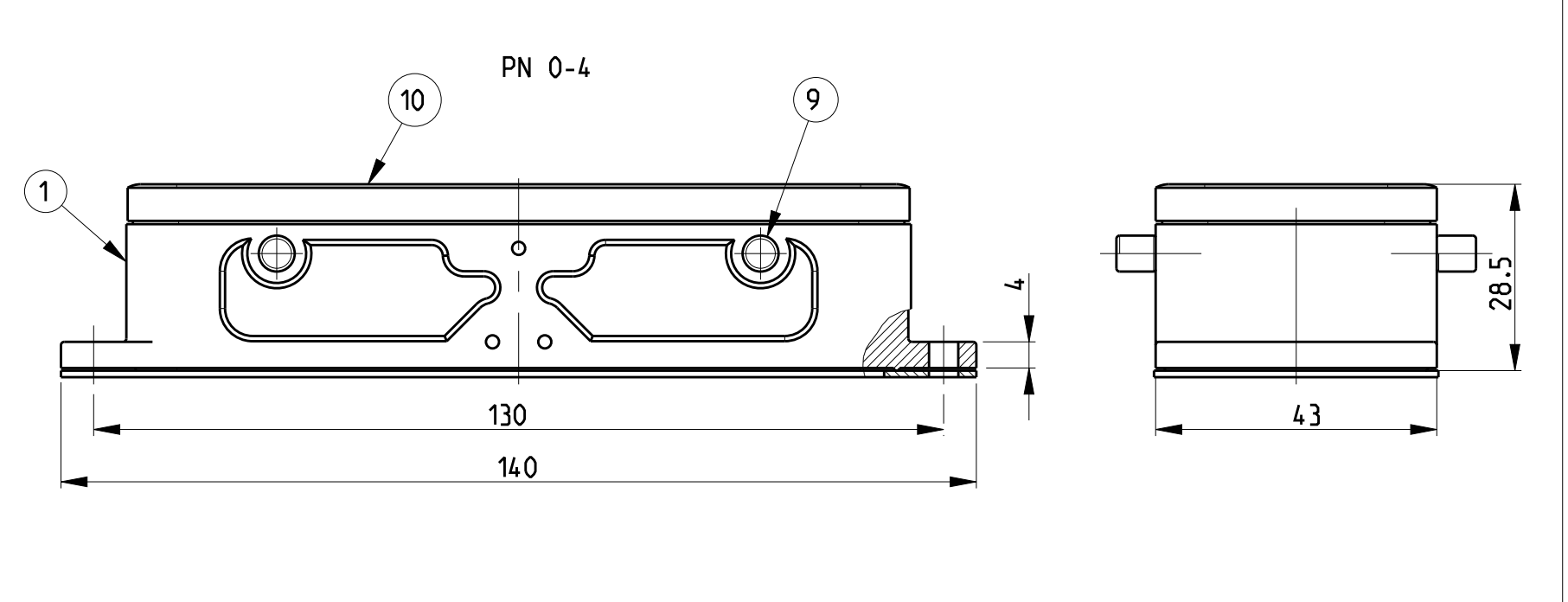
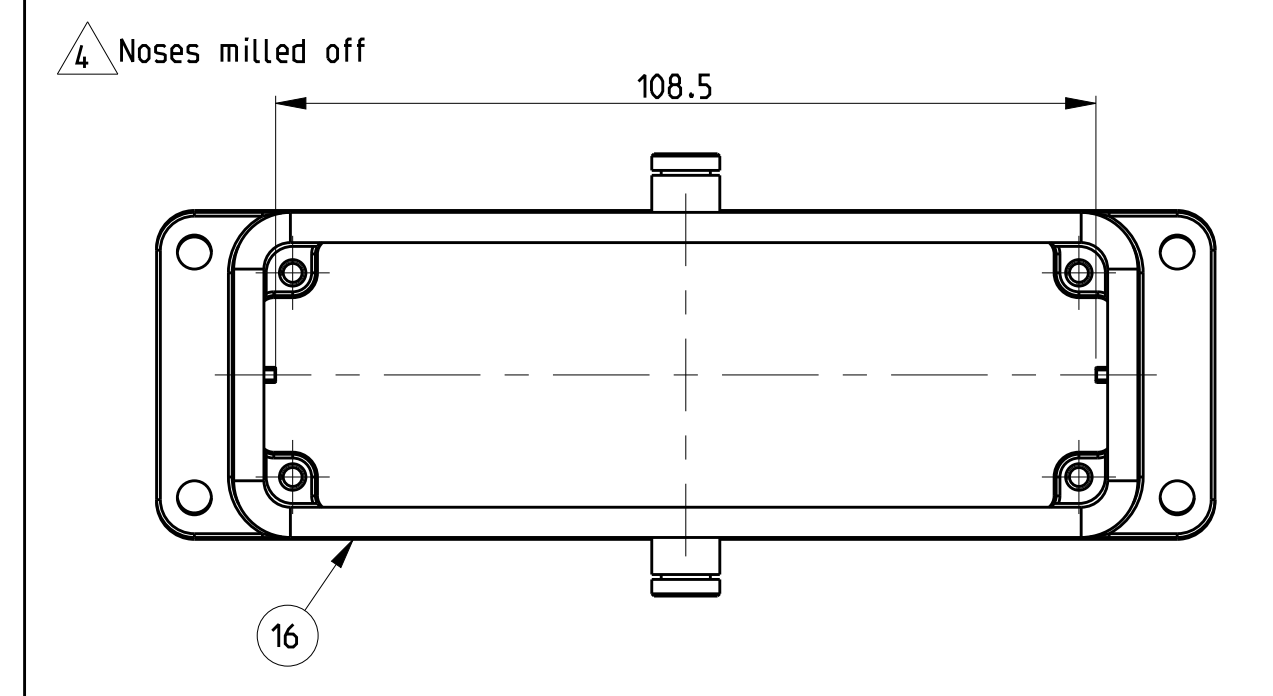
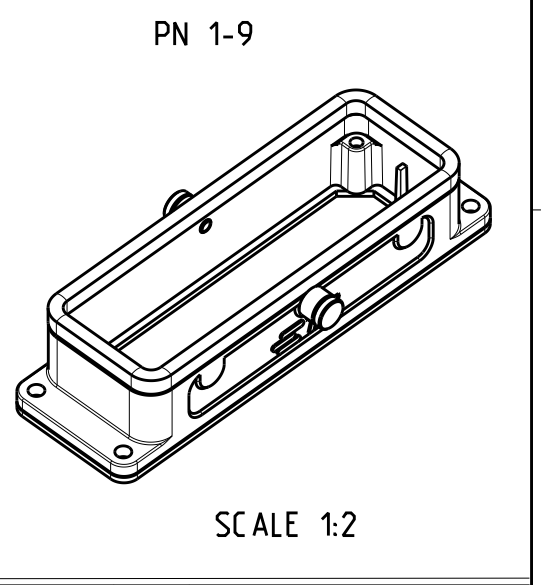
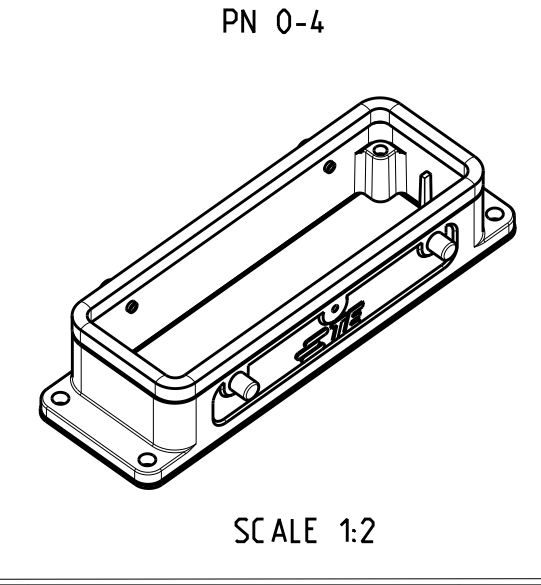
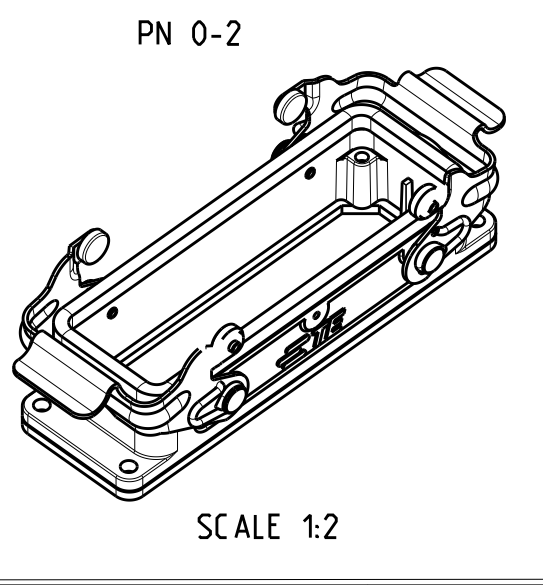
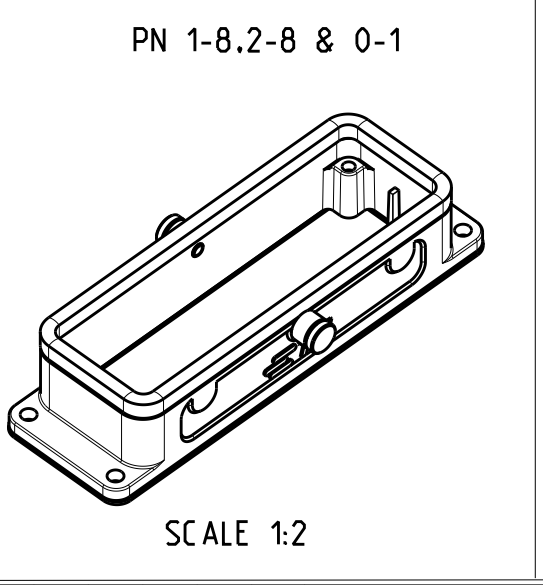
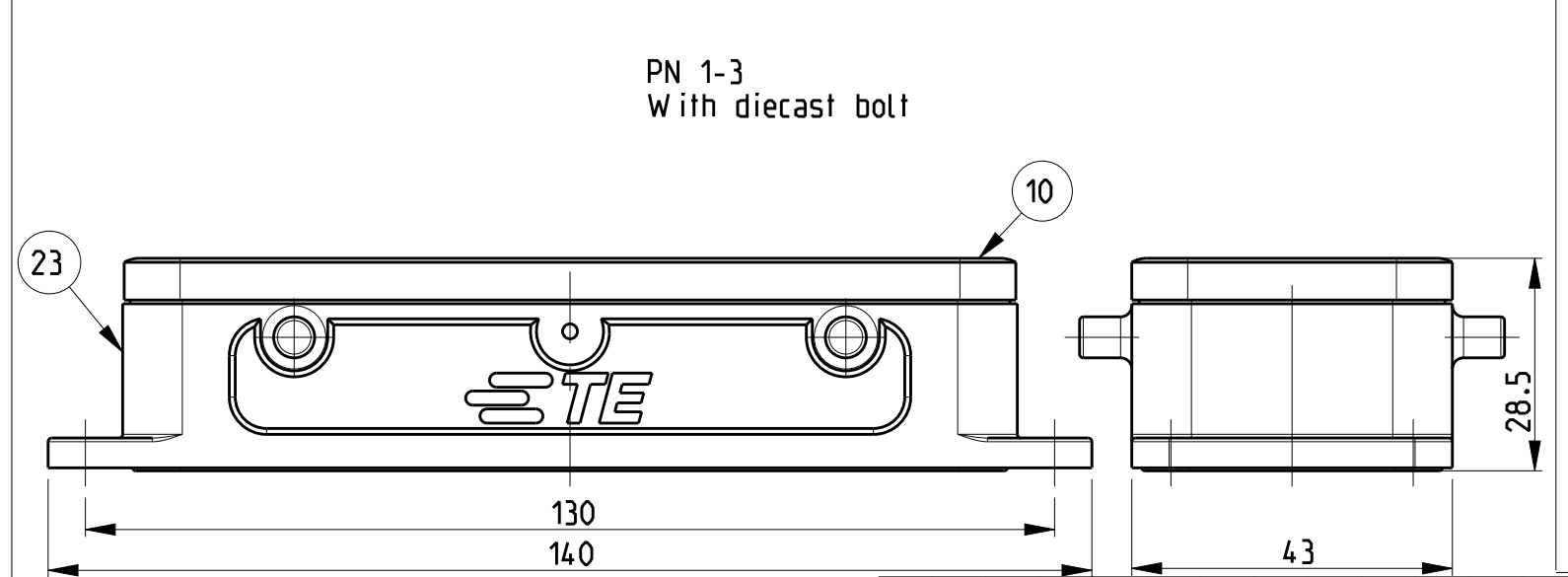
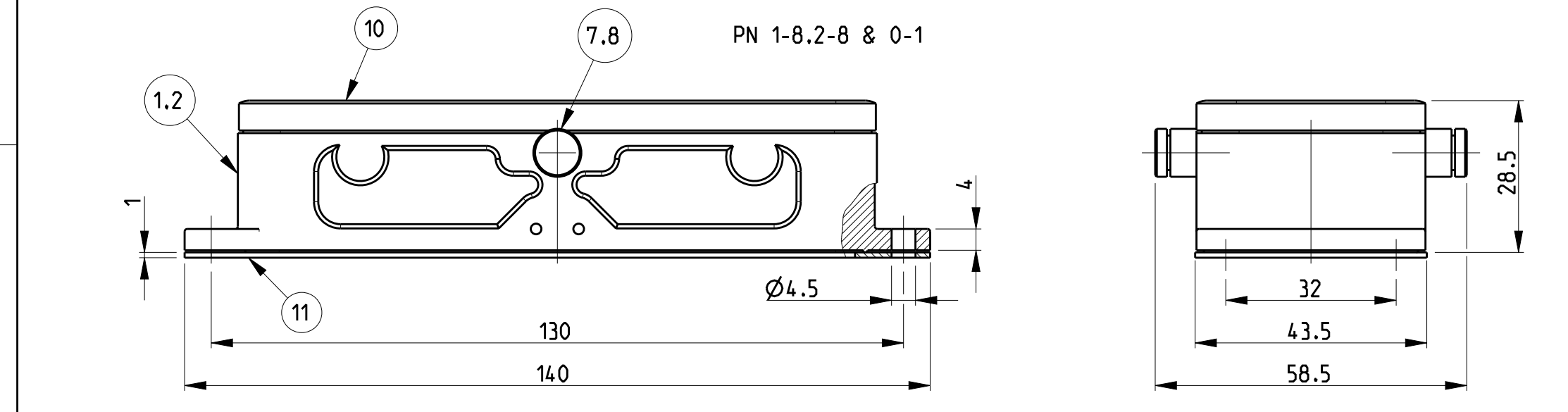
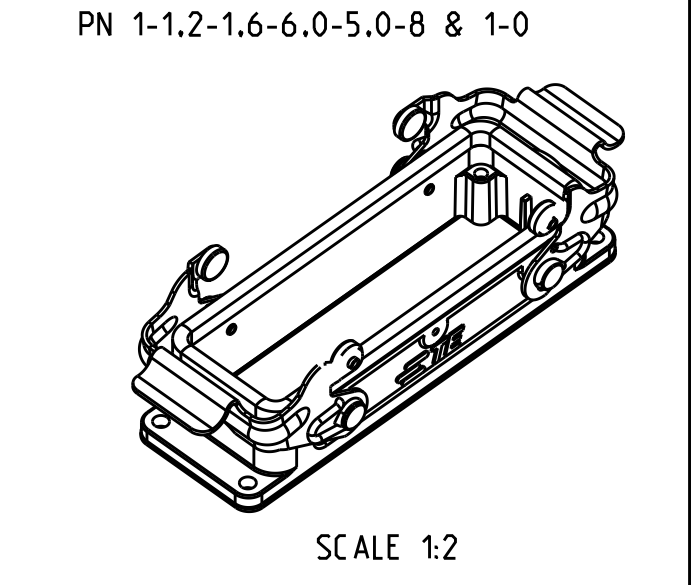
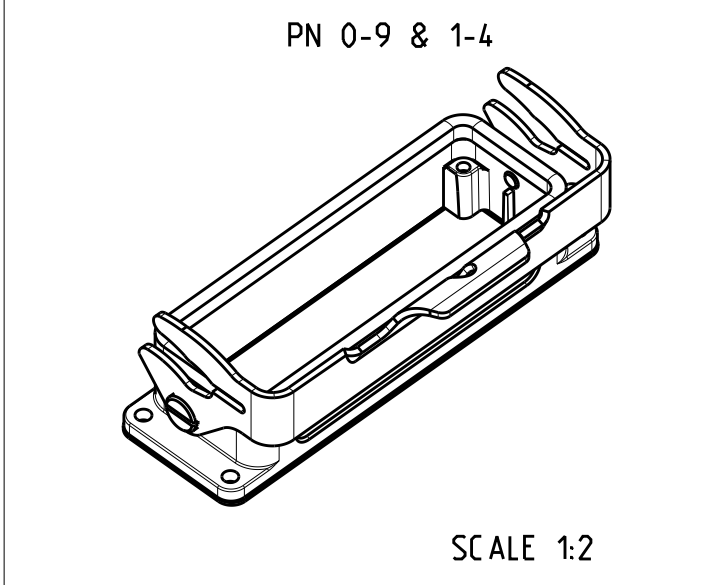
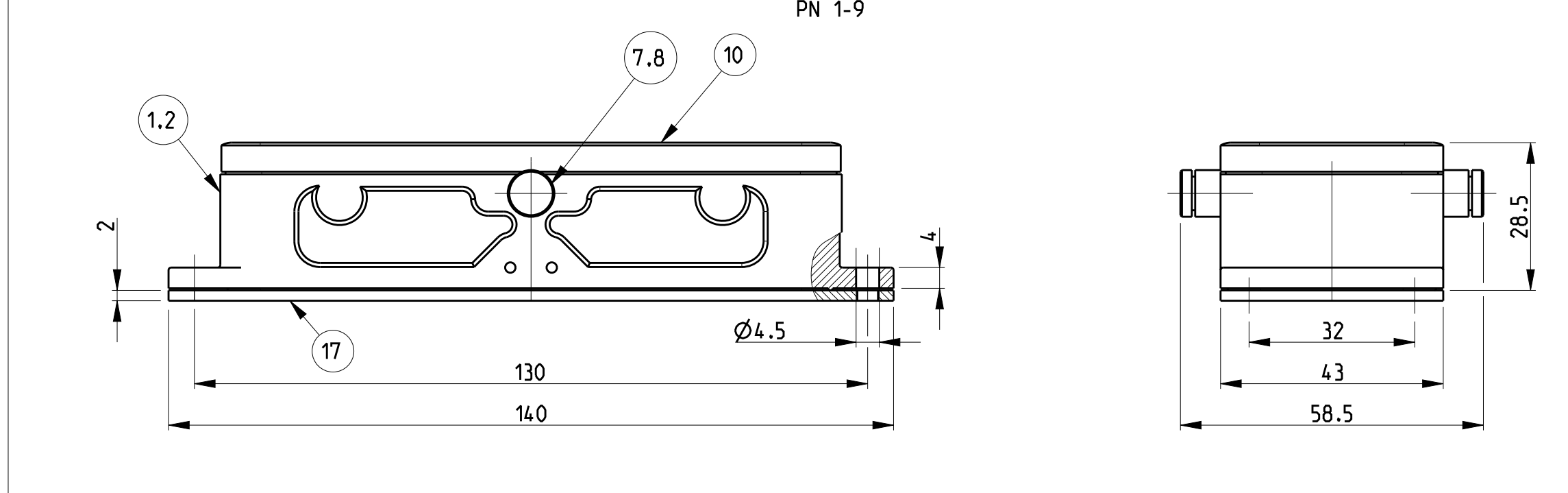
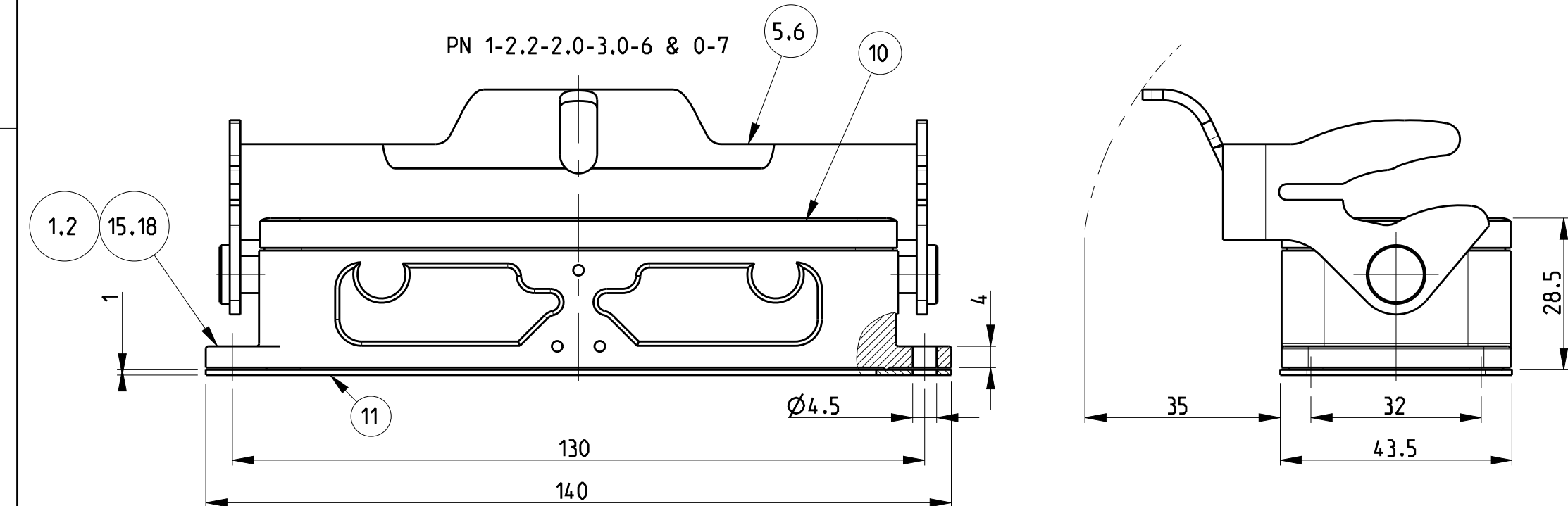
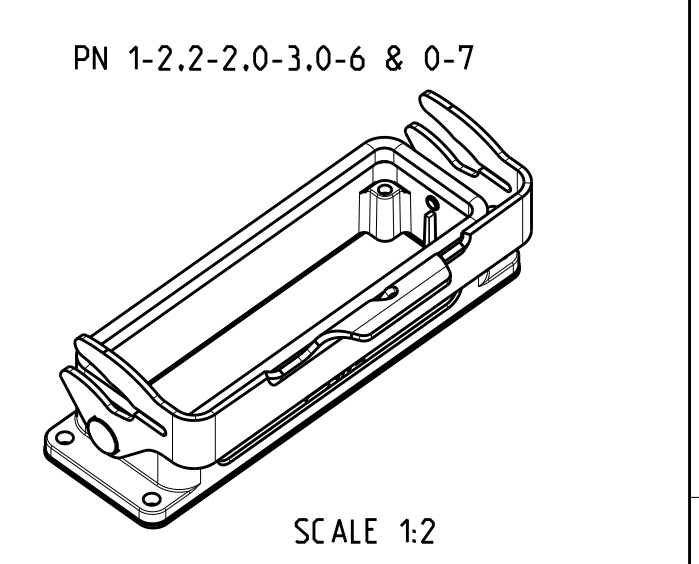
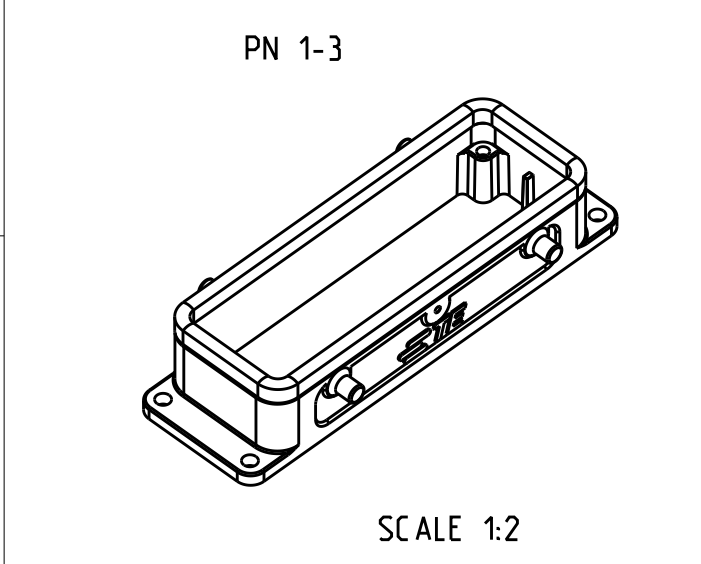
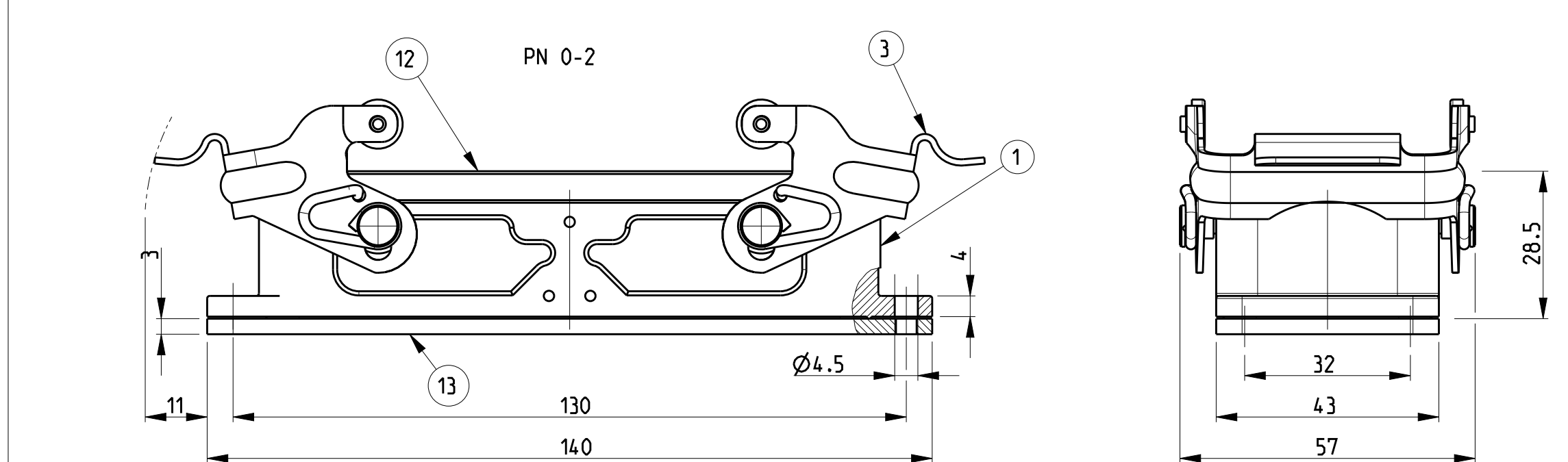
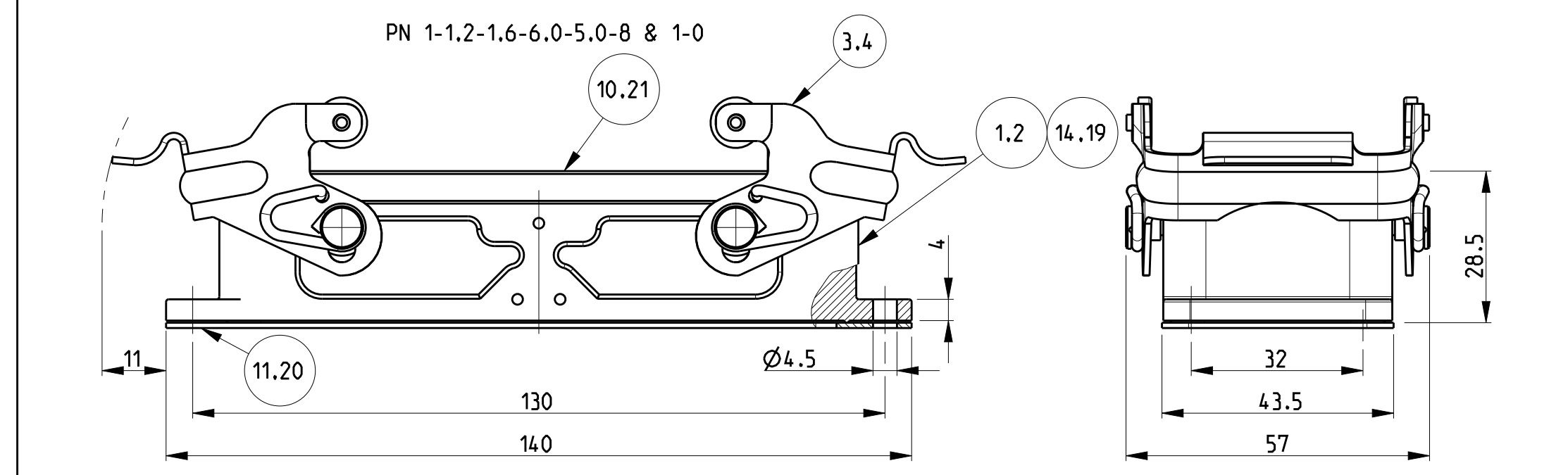


REVISIONS				
P	LTR	DESCRIPTION	DATE	DWN APVD
B12	ECR-15-012961		09SEP2015	GCM MKO
C	ECR-15-015721		18FEB2016	GCM JB

NOTES  
 1 Material : Housing : aluminium die casting alloy  
 Seals : Neoprene : Viton  
 2 Surface : Varnish - Grey  
 - Aluminium oxide  
 - Varnish black  
 3 Varnish on the inside is not necessary  
 4 Packaging  
 Quantity 5 pieces in a box



ITEM NO	DESCRIPTION	MATERIAL	SURFACE	COLOR	ITEM NO	NOTES
1	Surface mounted housing side entry HB	Aluminium			23	With diecast bolt
1	Profile seal	Neoprene		Black	22	Conductive
1	Flange seal	Neoprene		Black	21	Conductive
1	Surface mounted housing side entry HB	Aluminium	Chromit AL TCP passivation	Black RAL9005	20	
1	Surface mounted housing side entry HB	Aluminium		Grey RAL7001	19	Neutral
1	Flange seal	Neoprene		Black	18	2 mm thick
1	Surface mounted housing side entry HB	Aluminium		Grey RAL7001	17	Noses milled off
1	Surface mounted housing side entry HB	Aluminium		Grey	16	Without TE indication
1	Surface mounted housing side entry HB-K	Aluminium	Aluminium oxide	Blank	15	
1	Surface mounted housing side entry HB	Aluminium		Grey RAL7001	14	Elecon-logo
1	Flange seal	Viton		Black	13	
1	Profile seal	Viton		Light grey	12	3 mm thick
1	Flange seal	Neoprene		Black	11	1 mm thick
1	Profile seal	Neoprene		Black	10	
1	VS-Clip bolt	Steel	Zinc plated	Blue	9	
1	ZB-Clip bolt	Stainless steel		Blank	8	
1	ZB-Clip bolt	Steel	Zinc plated	Blue	7	
1	LB-Side clip	Stainless steel		Blank	6	
1	LB-Side clip	Steel	Zinc plated	Blue	5	
1	VS-Locking clip	Stainless steel		Blank	4	
1	VS-Locking clip	Steel	Zinc plated	Blue	3	
1	Surface mounted housing side entry HB-K	Aluminium		Black RAL9005	2	
1	Surface mounted housing side entry HB	Aluminium		Grey RAL7001	1	

THIS DRAWING IS A CONTROLLED DOCUMENT. DWN: Schweiger 23.07.1997  
 CHE: Kramer 26.06.1998

DIMENSIONS: mm

TOLERANCES UNLESS OTHERWISE SPECIFIED:  
 0 PLC ±0.1  
 1 PLC ±0.2  
 2 PLC ±0.3  
 3 PLC ±0.4  
 4 PLC ±0.5  
 ANGLES FINISH

MATERIAL: -

PRODUCT SPEC: 108-74001/74003  
 APPLICATION SPEC: 116-74001/74004/74005

WEIGHT: -

CUSTOMER DRAWING

NAME: Surface mounted housing bottom entry assy HB.24

SIZE: A1  
 CAGE CODE: 00779  
 DRAWING NO: C-1102291

RESTRICTED TO: -

SCALE: 5:1 SHEET: 1 OF 1 REV: C