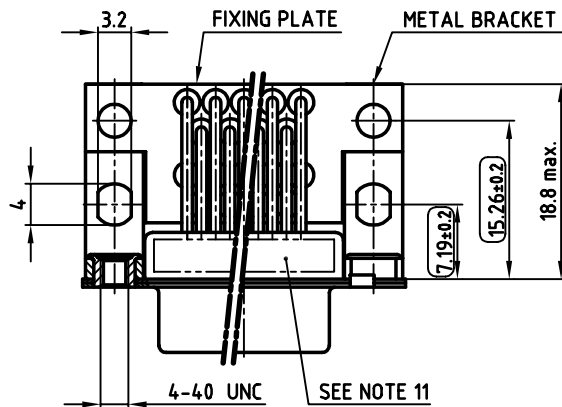
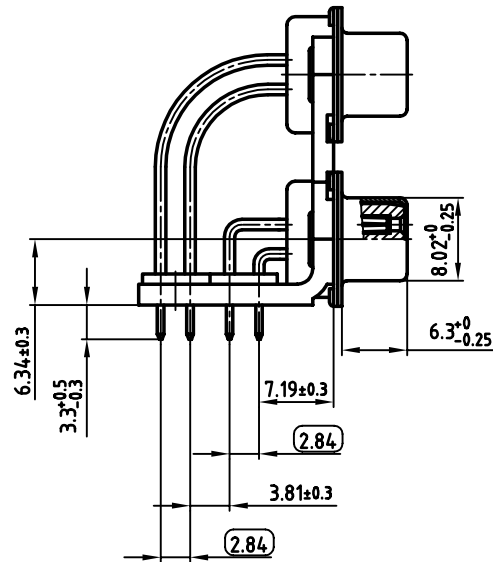
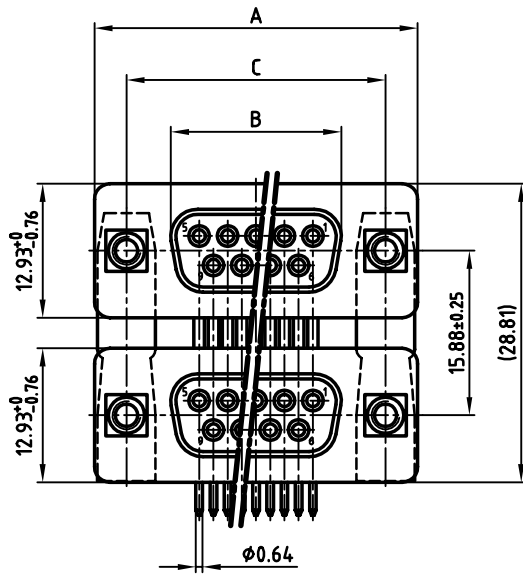


used for: D-SUB FILTER DUAL PORT



**NOTES:**

1. METALSHELLS: STEEL; min. 320µ" TIN
2. INSULATORS: PBT GF UL 94 V-0, BLACK
3. CONTACTS: COPPER ALLOY  
PLATING: 8µ" HARD GOLD OVER min. 50µ" NICKEL
4. METAL BRACKET: STEEL; min. 320µ" TIN over 80µ" NICKEL
5. THREADED INSERT: COPPER ALLOY; min. 200µ" TIN over 80µ" NICKEL
6. FIXING-PLATE: PBT GF UL 94 V-0, BLACK
7. P.C.B. HOLE DRILLINGS ON SHEET 2 + 3
8. CAPACITANCE: 1300pF ±20%
9. DIELECTRIC WITHSTANDING VOLTAGE: 424 VDC
10. MAXIMUM TORQUE VALUE FOR THREAD: 6" LBS
11. CONNECTOR IS PART MARKED: PART-NO. CONEC ABC
12.    = CHECK DIMENSION

POS.	A -0.76	B -0.25	C	Part-NO.
2x 9	31.19	16.46	25.00 <sup>+0.12</sup> / <sub>-0.13</sub>	<b>242A14060X</b>
2x15	39.52	24.79	33.30 <sup>+0.15</sup> / <sub>-0.1</sub>	<b>242A14070X</b>
2x25	53.42	38.50	47.04 ±0.13	<b>242A14080X</b>
2x37	69.70	54.96	63.50 ±0.13	<b>242A14090X</b>

APPROVAL # FREIGABE # DEBLOCAGE # AUTORIZACION # APPROVAL

CUSTOMER APPROVAL DATE:

NAME: TITLE:

COMPANY NAME:

APPROVAL # FREIGABE # DEBLOCAGE # AUTORIZACION # APPROVAL

THIS DRAWING MAY NOT BE COPIED OR REPRODUCED IN ANY WAY, AND MAY NOT BE PASSED ON TO A THIRD PARTY, WITHOUT WRITTEN PERMISSION. OWNERSHIP AND COPYRIGHT OF CONEC GmbH DO NOT ALTER CAD DRAWING BY HAND

rev.	description	date	name

tolerance dim. in mm

2004 date name

drawn 04.03. Lehnenkühler

appd. 04.03. Mickenbecker

norm DIN 41652

d-old

**CONEC**

scale: 2:1

material: SEE NOTES

title: **D-SUB FILTER DUAL PORT 15.88mm**  
2 x FEMALE 9pos. - 2 x FEMALE 37pos.  
with threaded insert

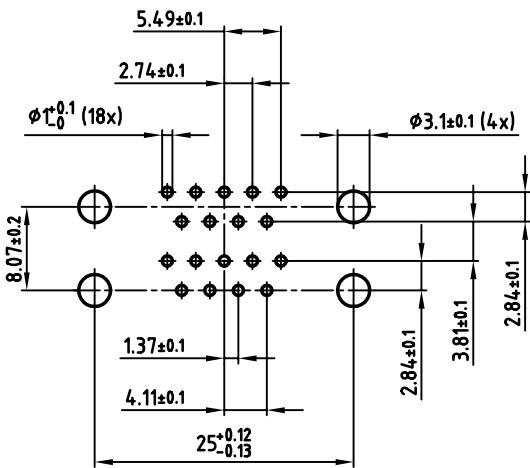
dwg no: AutoCAD 2000 DIN-A

**24K1A516** 3 sh:1/3

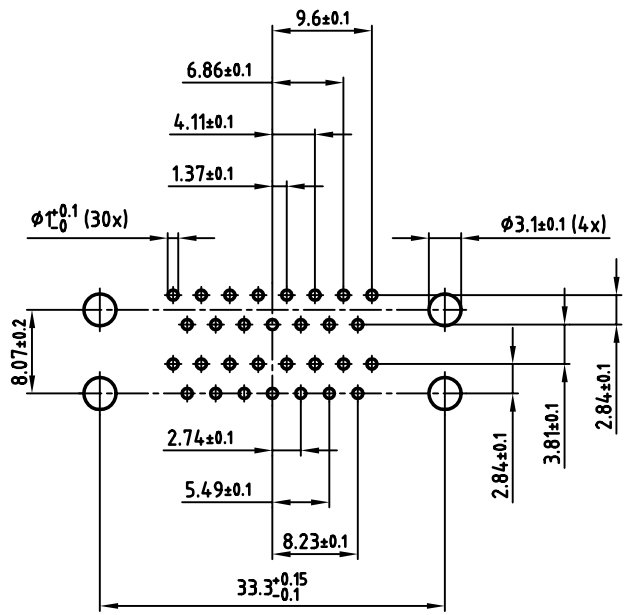
part no: SEE TABLE



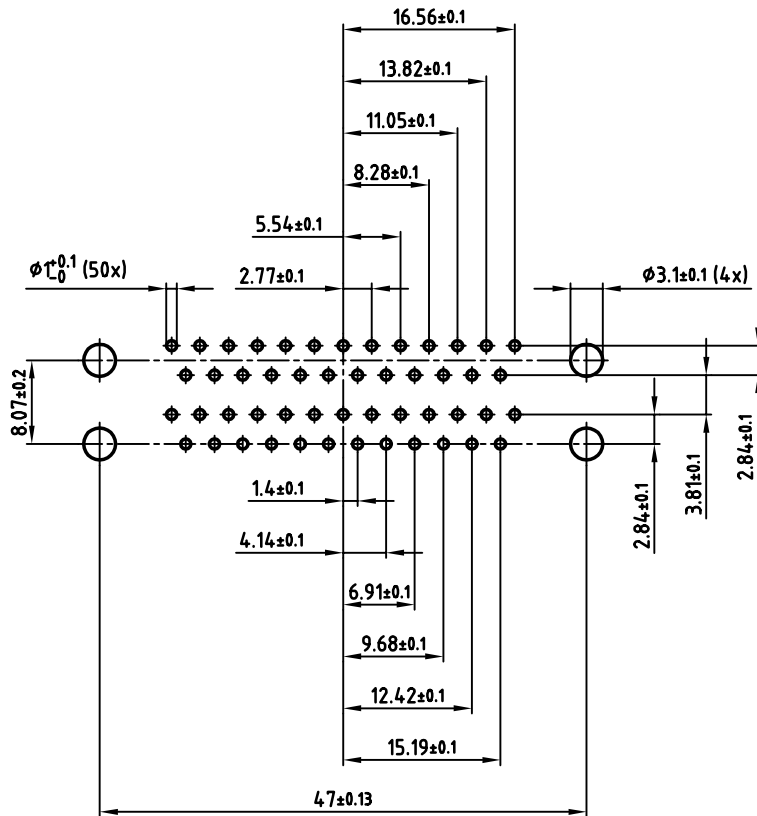
used for: D-SUB FILTER DUAL PORT



2x9pos.



2x15pos.



2x25pos.

APPROVAL \* FREIGABE \* DEBLOCAGE \* AUTORIZACION \* APPROVAL

CUSTOMER APPROVAL DATE:

NAME: TITLE:

COMPANY NAME:

APPROVAL \* FREIGABE \* DEBLOCAGE \* AUTORIZACION \* APPROVAL

THIS DRAWING MAY NOT BE COPIED OR REPRODUCED IN ANY WAY, AND MAY NOT BE PASSED ON TO A THIRD PARTY, WITHOUT WRITTEN PERMISSION. OWNERSHIP AND COPYRIGHT OF CONEC GmbH DO NOT ALTER CAD DRAWING BY HAND

rev.	description	date	name

tolerance		scale:	2:1
	dim. in mm	material:	SEE SHEET 1
2004	date	name	title:
drawn	04.03.	Lehmenkühler	<b>P.C.B. HOLE DRILLINGS</b> D-SUB FILTER DUAL PORT 15.88mm 2 x FEMALE 9pos. - 2 x FEMALE 37pos.
appd.	04.03.	Mickenbecker	
norm	DIN 41652		
d-old			dwg no: AutoCAD 2000
			DIN-A
			3
			sh:2/3
			part no: SEE SHEET 1

6

5

4

2

1

# Mouser Electronics

Authorized Distributor

Click to View Pricing, Inventory, Delivery & Lifecycle Information:

[CONEC:](#)

[242A14060X](#)