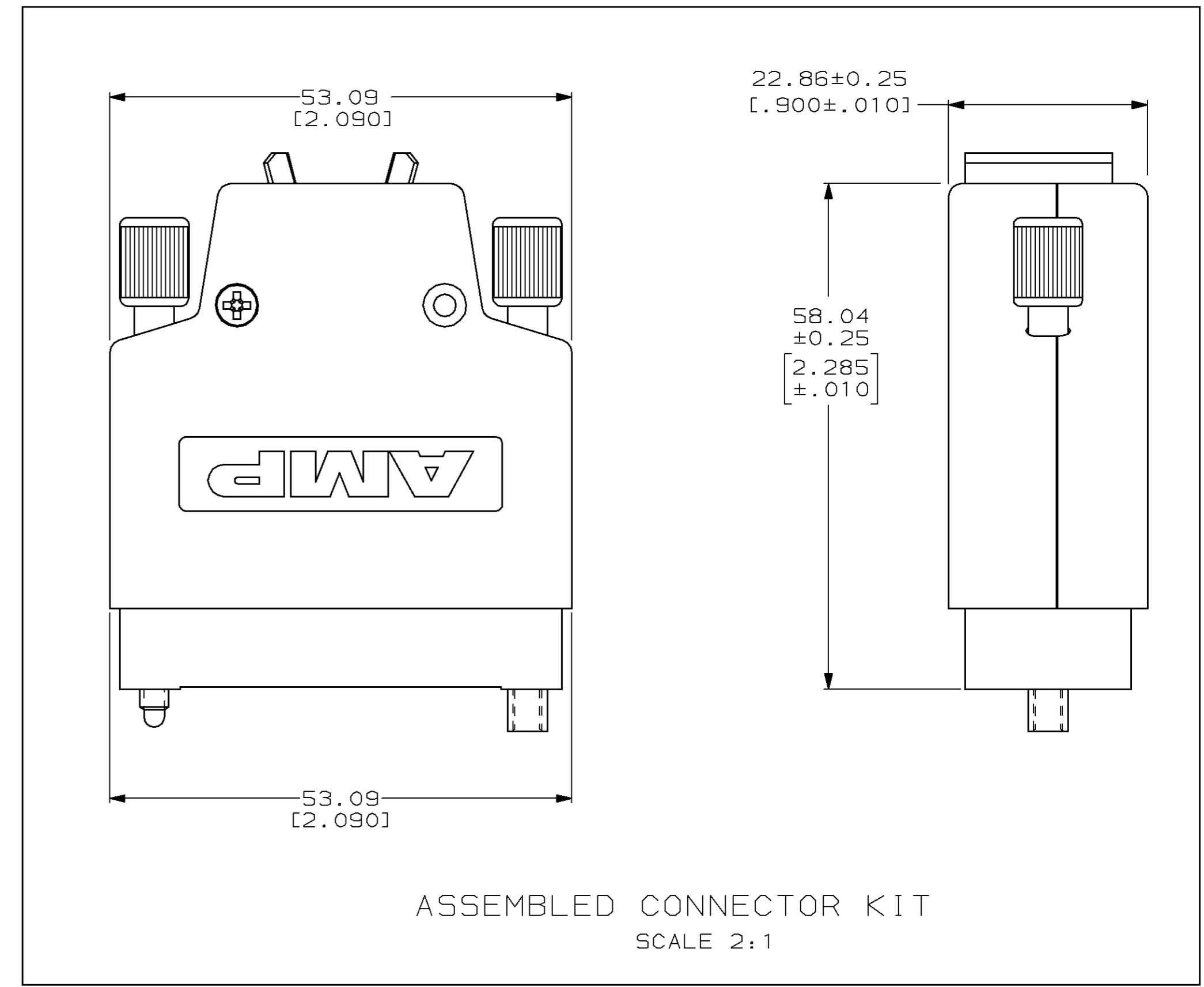
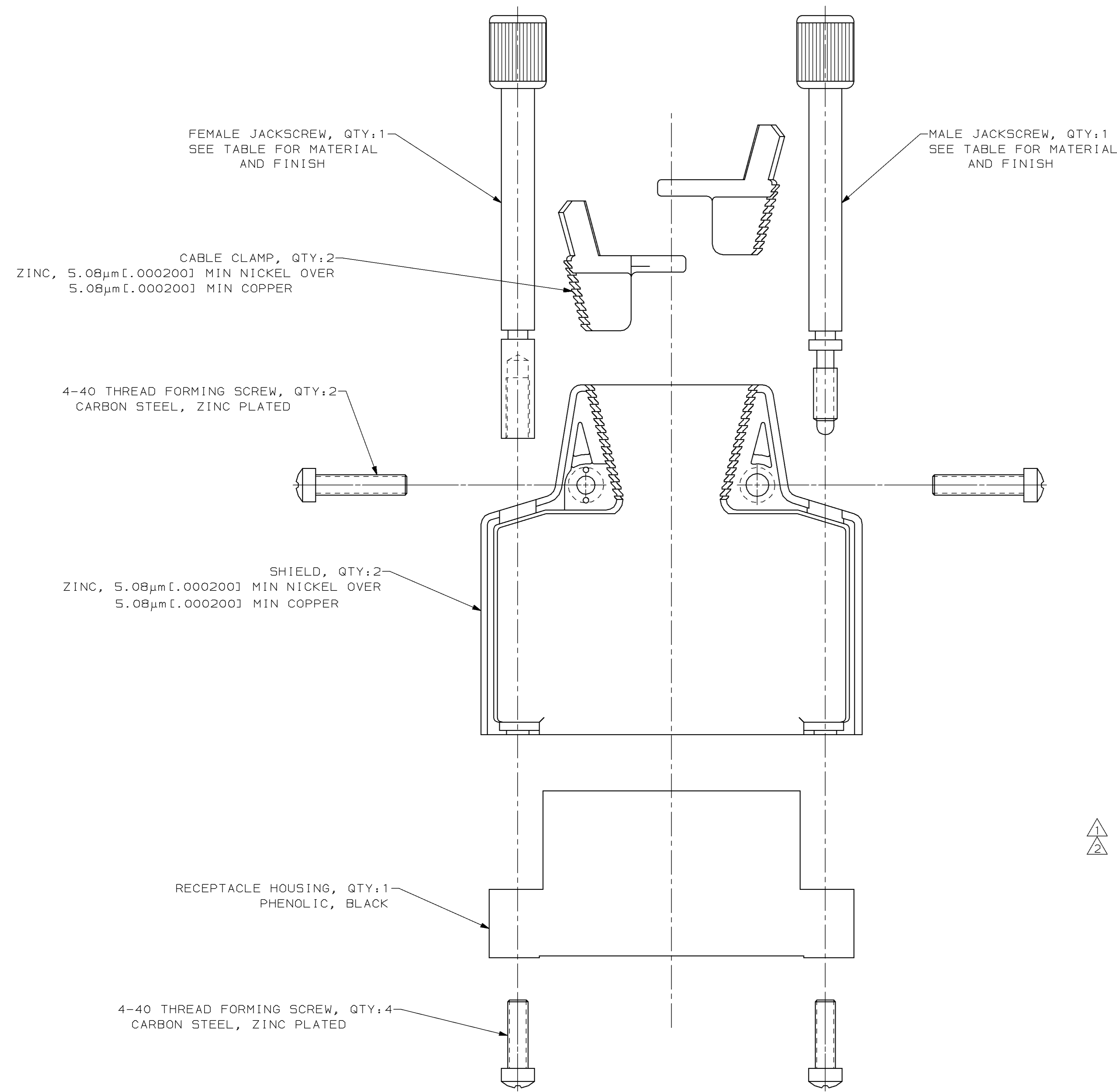


LOC		DIST		P		F		ZONE		LTR		REVISIONS			
FT	8											DESCRIPTION	DATE	APPD	
												0	RLSE PER NPR 3589, WAS 90-4883-31	6-21-91	-
												A	ADDED -3 & -4 PER NPR 4304	08/12/92	SK
												A1	ADDED -5 PER NPR 5009	12/15/93	TC
												B	REV PER EC 0020-216-95	03/27/95	TC
												C	REV PER EC 0020-318-95	05/05/95	TC
												D	OBS -4 PER EC 0020-598-96	08 JAN 97	MM



1 ZINC, NICKEL PLATED.
 2 STAINLESS STEEL.

OBSELETE	JACKSCREW	CABLE DIAMETER	PART NO
1		3.81-7.62 [.150-.300]	213685-5
2		6.35-10.16 [.250-.400]	213685-4
3		10.16-15.24 [.400-.600]	213685-3
4		6.35-10.16 [.250-.400]	213685-2
5		10.16-15.24 [.400-.600]	213685-1

DO NOT SCALE PRINT. UNLESS SPECIFIED DIMENSIONS IN mm [INCHES] TOLERANCES: ON; 2 PLC DEC ± 0.13(.005) 3 PLC DEC ± - ANGLES ± -		DR 6-21-91 W.G.LENKER		AMP Incorporated Harrisburg, PA 17105-3608	
SEE CALLOUTS		CHK 6-27-91 R STONE			
FINISH SEE CALLOUTS		APPD 6-28-91 A BOULLIANNE		NAME	
		APPD 6-28-91 A BOULLIANNE		CONNECTOR KIT, UNASSEMBLED, 34 POSITION, M SERIES	
		PRODUCT SPEC -		SIZE	
		APPLICATION SPEC -		D 00779	
		WEIGHT -		CAGE CODE	
				00779	
				DRAWING NO	
				213685	
				SCALE	
				3:1	
				SHEET	
				1 OF 1	

- [Home](#)
- [Part Number Search](#)
- [Text Search](#)
- [Alternate Part Search](#)
- [Multiple Part Comparison](#)
- [Alphabetical Search](#)
- [Brand Search](#)
- [Industry Product Search](#)
- [Product Type Search](#)
- [Product Family Search](#)
- [Competitor Cross Reference](#)
- [Document Number Search](#)
- [Lead Free Solutions](#)
- [Help/Glossary](#)

Current Brand View

[View All Tyco Electronics Brands](#)

Click to activate links to all other products

AMP

M Series Pin & Socket Connectors

M Series Connectors

AMP **213685-4** -- 1 of 1 products **Superseded** [Superseded](#) [Click here for replacement part information](#)

(Tyco Electronics P/N: 213685-4)

Sales Information	AMP ACES	Step Search Screen
Related Documents		General Information
Pricing		Product Availability

Please use the customer drawing for all design activity.

- **Customer Drawing: 213685, Rev. D**
 Document Title: CONNECTOR KIT, UNASSEMBLED, 34 POSITION, M SERIES

[167936.pdf](#) [167936.pdf](#) (61K)

The photographs and/or line drawings below are representative images of a product for viewing purposes only.

[Product Photo](#)

Searchable Features:

Brand:	AMP
Product Type:	Cable Connector Kit
Hardware Type:	Jackscrew
No. of Positions:	34
Housing Material:	Phenolic
Gender:	Receptacle
Connector Type:	V.35
Pin Hood:	Yes
Pin Hood Type:	External Closed End
Mount:	Panel Mount
Jackscrew Type:	Turnable
Jackscrew Style:	One-Piece
Preloaded Contacts:	No

Other Properties:

Housing Color:	Black
Jackscrew Material:	Zinc Alloy
Jackscrew Coating:	Nickel Plate
Cable Clamp Material:	Steel
Cable Clamp Plating:	Nickel
Shield Material:	Zinc
Shield Plating:	Nickel
Mounting Screw Material:	Steel
Mounting Screw Plating:	Zinc
Packaging Method:	Loose Piece

Mount Angle:	Vertical
Mounting Bracket(s):	Without
Shield Size:	Short
Cable Diameter Range (mm [in]):	6.35 - 10.16 [0.250 - 0.400]
Mounting Hardware:	None
Shield Type:	Two-piece

Comment:

Housings are keyed to assure proper location of the male and female jackscrews as defined in 408-2593.

Partially assembled.

Cable Connector Kit Contents- Housing, two piece shield, one-piece turnable jackscrews, two cable clamp inserts, mounting screws.

[Copyright](#) and [Privacy Statement](#)

Visit [Tyco International, Ltd.](#)

[Products](#) | [eCatalog](#) | [Brands](#) | [Industries](#) | [eCommerce](#) | [Customer Service](#) | [About](#) | [Home](#)