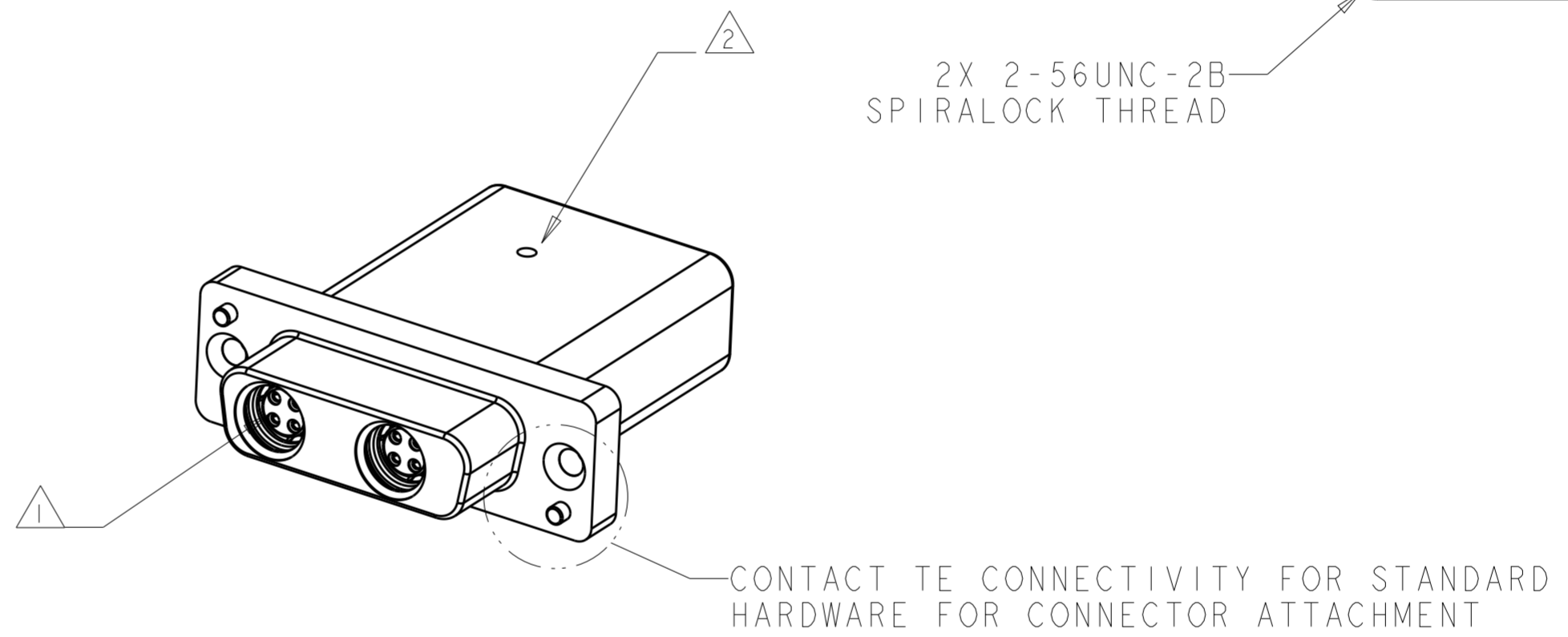
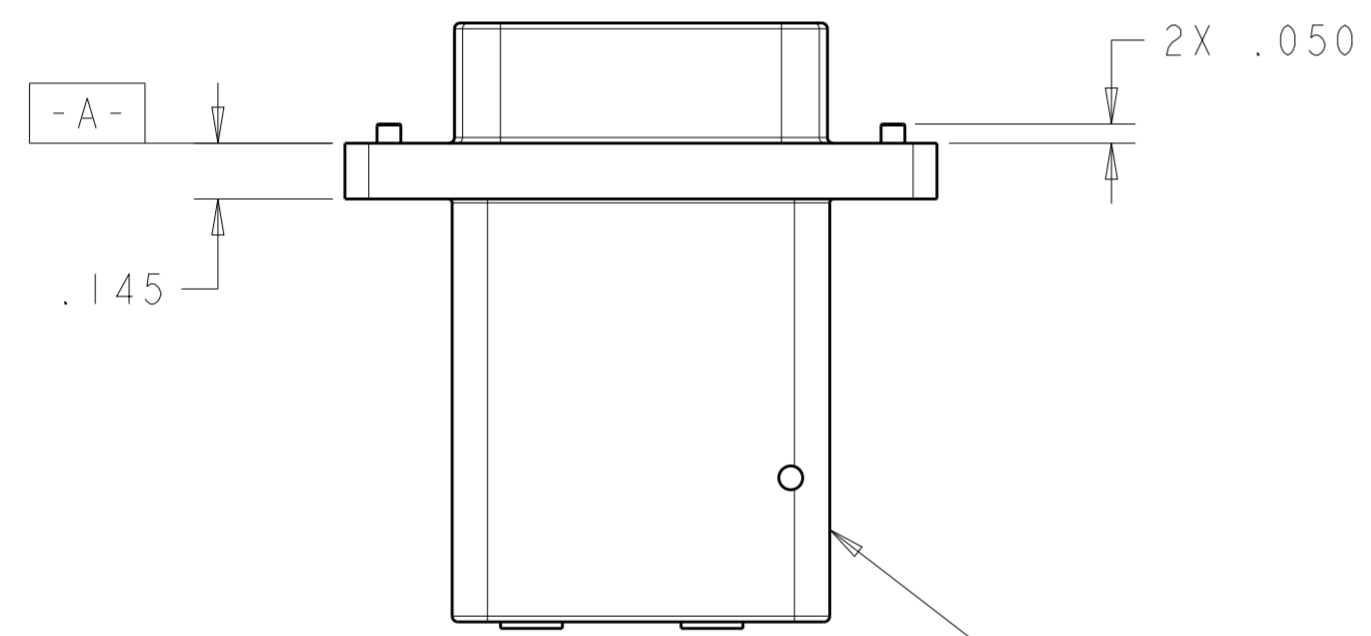
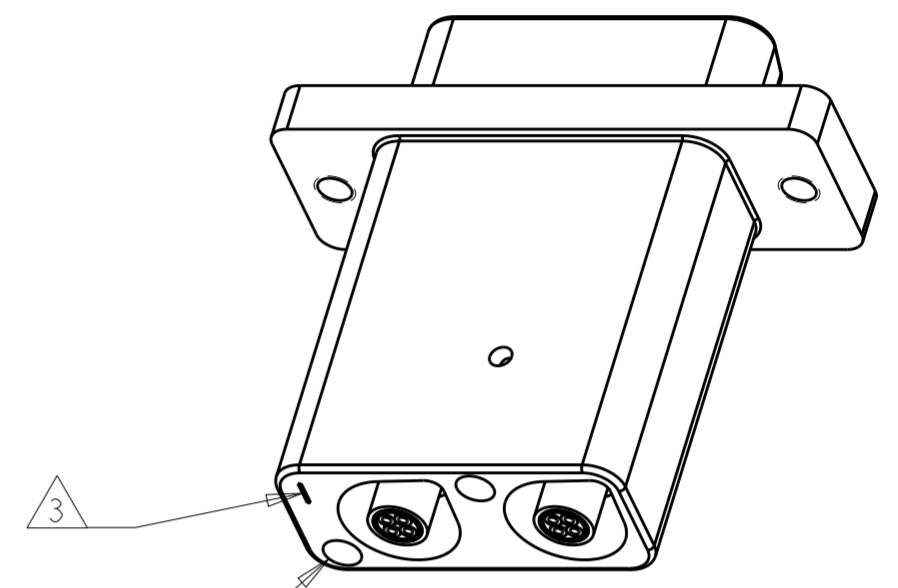
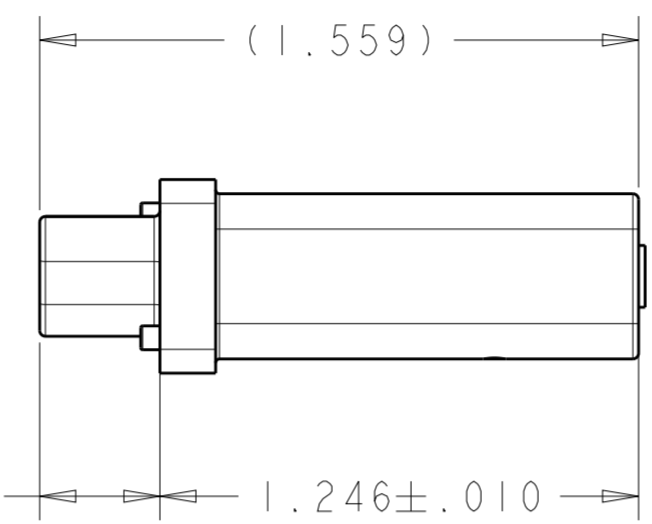
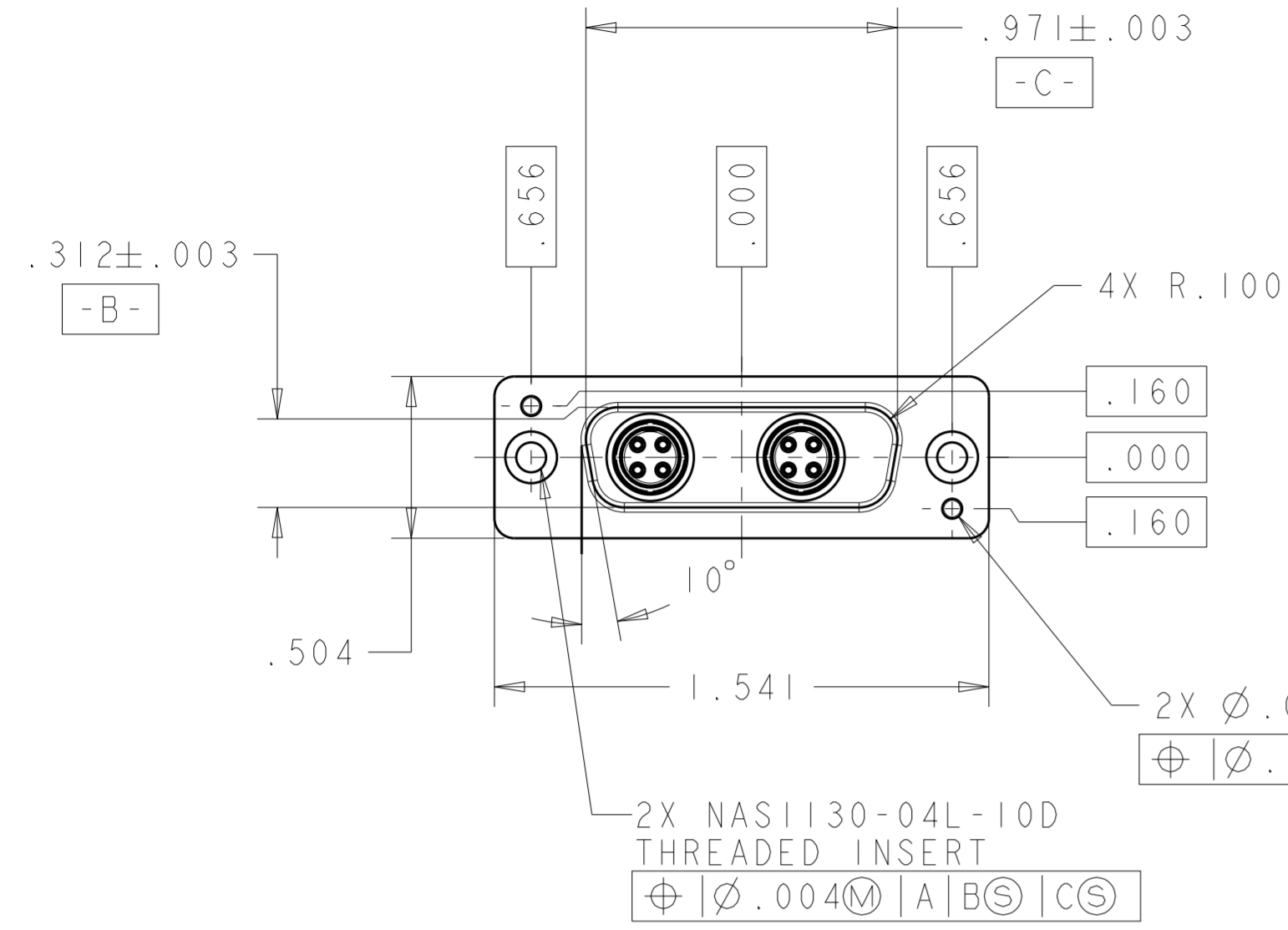


THIS DRAWING IS UNPUBLISHED. RELEASED FOR PUBLICATION 20  
 © COPYRIGHT 20 BY - ALL RIGHTS RESERVED.

LOC	DIST	REVISIONS			
P	LTR	DESCRIPTION	DATE	DWN	APVD
DF	A5	D	RELEASED	6-27-12	CT DM
				25OCT2011	KG DM



SHELL  
 ELECTROLESS NICKEL PLATED PER AMS-C-26074 CLASS 1  
 ALUMINUM ALLOY 6061-T6 PER ASTM B221  
 CONTACT RETENTION CLIP QTY = 2 (ASSEMBLED INSIDE SHELL)  
 STAINLESS STEEL PER UNS S30200 PER ASTM A666  
 PLATED SILVER .000400 MIN THICK PER ASTM B700 OVER WOODS  
 NICKEL STRIKE PER ASTM B254

2157449-1  
 PART NUMBER

- 1 CONNECTOR KIT INCLUDES QUADRAx CONTACTS (TE CONNECTIVITY PART# 1445693-3, QTY 2) FOR 100Ω CABLE. NOT INSTALLED
- 2 CONNECTOR IS MARKED WITH TE, TE CONNECTIVITY PART NUMBER & DATE CODE.
- 3 RECESSED CIRCUIT IDENTIFICATION.

THIS DRAWING IS A CONTROLLED DOCUMENT.		DWN K. GLATFELTER 24FEB2011	STE TE Connectivity	
DIMENSIONS: INCHES		CHK D. MILLER 24FEB2011	NAME QUADRAx 202 ASSY, PLUG, D-SUB, SIZE 2	
TOLERANCES UNLESS OTHERWISE SPECIFIED: 0 PLC ± 1 PLC ± 2 PLC ±.01 3 PLC ±.005 4 PLC ± ANGLES ± FINISH		APVD D. MILLER 24FEB2011	RESTRICTED TO	
MATERIAL		PRODUCT SPEC	SIZE A200779	CAGE CODE C-2157449
		APPLICATION SPEC	DRAWING NO C-2157449	SCALE 2:1
		WEIGHT	SHEET 1	OF 1
		CUSTOMER DRAWING	REV D	

# Mouser Electronics

Authorized Distributor

Click to View Pricing, Inventory, Delivery & Lifecycle Information:

[TE Connectivity:](#)

[2157449-1](#)