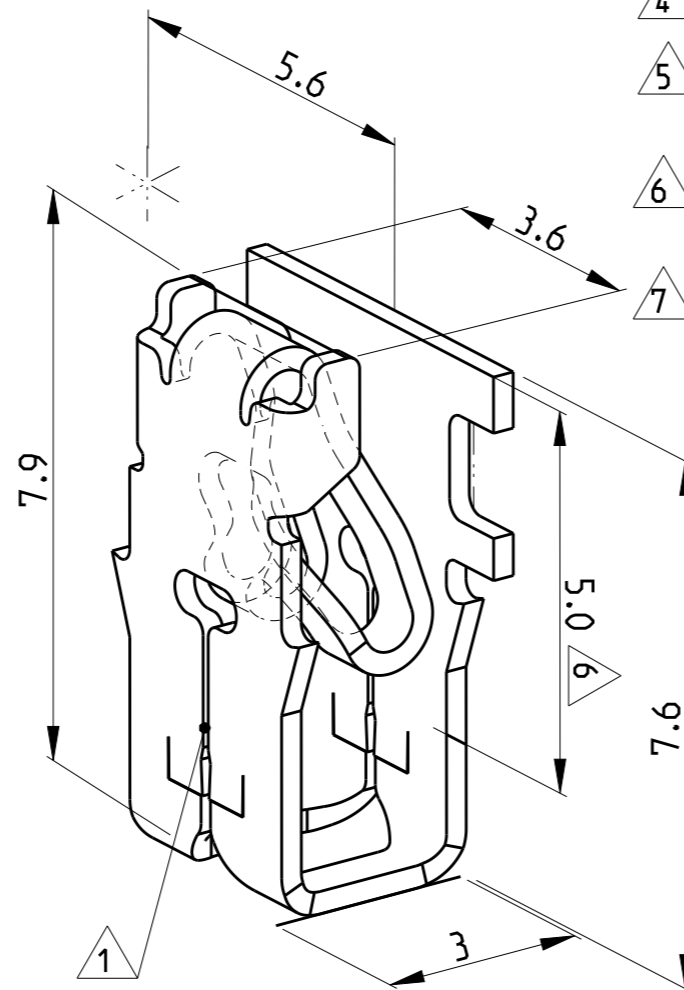
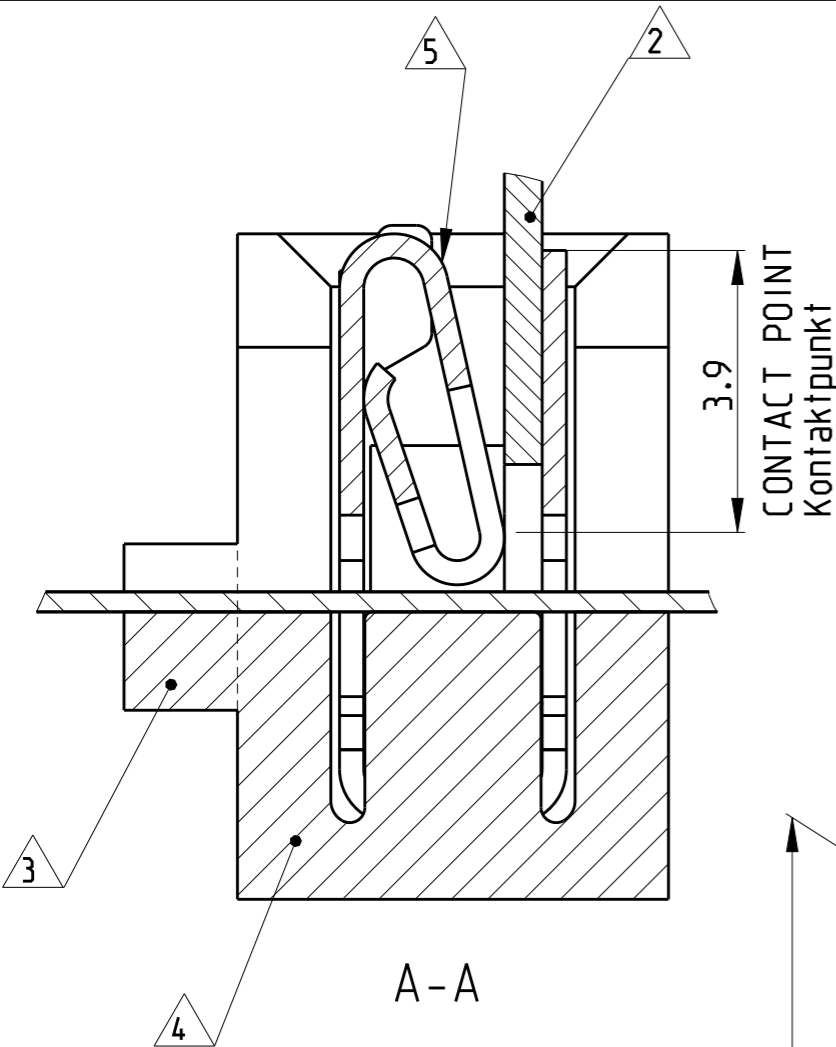
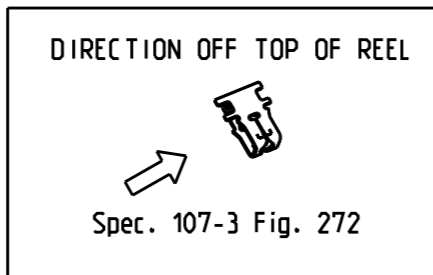


| LOC | DIST | REVISIONS | | | | | |
|-----|------|-----------|-----|--------------------------------------|-----------|-----|------|
| | | P | LTR | DESCRIPTION | DATE | DWN | APVD |
| IR | - | | E8 | PN 3-964337-7 ADDED | 19APR2013 | PKS | RRP |
| | | | E9 | PN 3-964337-2 ADDED | 30OCT2013 | PKS | RRP |
| | | | E10 | OVERALL HEIGHT DIMENSIONS ADDED | 14FEB2014 | PKS | RRP |
| | | | E11 | INTERLAYER PAPER DETAILS ARE UPDATED | 03OCT2016 | SV | PKS |



- 1 SLOT ACCEPTS SINGLE OR DOUBLE MAGNET WIRE SAME DIAMETERS $\varnothing 0.18 \dots 0.265 \text{mm}$
Kontakt geeignet fuer Lackdraht $\varnothing 0.18 \dots 0.265 \text{mm}$ (Einzeldraht oder zwei Draehnte gleichen Durchmessers)
- 2 POKE IN TAB TERMINAL 3.4x0.5mm
Poke in Flachstecker 3.4x0.5mm
- 3 AREA WILL BE CUT BY TERMINATION
Bereich wird beim Kontaktieren abgetrennt
- 4 CAVITY ACCORDING TO TE SPEC. 411-18512
Kontakt Kammer nach TE Spec. 411-18512
- 5 IDENTIFICATION NO. FOR MAGNET WIRE RANGE (4)
Kennziffer fuer Lackdrahtbereich (4)
- 6 OVER THE MARKED LENGTH:
SELECTIVE Min. 0.4 μm GOLD OVER NI
Ueber die gekennzeichnete Laenge:
Selektiv Min. 0.4 μm Gold ueber Ni
- 7 REELED WITH PAPER INTERLAYER 0-737976-1 ON PLASTICREEL 1-725652-0
Reeling mit Papierzwischenlage 0-737976-1 auf Kunststoffspulen 1-725652-0
- 8 REELED WITH PAPER INTERLAYER 0-782504-1 ON PLASTICREEL 0-725652-4
Reeling mit Papierzwischenlage 0-782504-1 auf Kunststoffspulen 0-725652-4
- 9 QUANTITY 15000 PCS./REEL
Mengeinheit 15000 stk./ spule
- 10 QUANTITY 10000 PCS./REEL
Mengeinheit 10000 stk./ spule
- 11 REELED WITH PAPER INTERLAYER 782504-9 ON CARDBOARD REEL 1-973053-3
Reeling mit Papierzwischenlage 782504-9 auf Pappbandspule 1-973053-3
- 12 REELED WITH CREPE PAPER INTERLAYER 2-725600-3 ON PLASTIC REEL 1-725652-0
Reeling mit Sprung Papierzwischenlage 2-725600-3 auf Kunststoffspulen 1-725652-0

| NOTE | PART NO | REV. | PCS. | MATERIAL | SURFACE COLOUR |
|-----------------------------|------------|------|------|----------|------------------------|
| | 3-964337-7 | 7 | A | CuNiSi | FLASH GOLD OVER NICKEL |
| | 3-964337-2 | 12 | A | CuNiSi | PRE TINNED |
| | 2-964337-7 | 8 | B | CuNiSi | FLASH GOLD OVER NICKEL |
| | 2-964337-2 | 7 | A | CuNiSi | TIN PLATED |
| SUPERSEDED BY PN 2-964337-7 | 1-964337-7 | 6 | A | CuNiSi | FLASH GOLD OVER NI |
| | 1-964337-2 | 10 | C | CuNiSi | PRE TINNED |
| SUPERSEDED BY PN 2-964337-7 | 964337-7 | 7 | B | CuNiSi | FLASH GOLD OVER NI |
| | 964337-3 | 7 | C | CuZn | PRE TINNED |
| | 964337-2 | 7 | C | CuNiSi | PRE TINNED |
| | 964337-1 | 7 | B | CuNiSi | BLANK |



THIS DRAWING IS A CONTROLLED DOCUMENT.

DIMENSIONS: mm

TOLERANCES UNLESS OTHERWISE SPECIFIED:
 n. ISO 8015, n. ISO 2768- mH-E, n. DIN 16901 - 140

MATERIAL SEE TABLE FINISH SEE TABLE

DWN Rudolph 15-03-95
 CHK H. Plösser 20-03-95
 APVD -

PRODUCT SPEC 108-2012
 APPLICATION SPEC 114-2046
 WEIGHT -

STE TE Connectivity

MAG MATE LEAF TERMINAL MARK II

SIZE A3 CAGE CODE 00779 DRAWING NO C-964337 RESTRICTED TO -

CUSTOMER DRAWING SCALE 10:1 SHEET 1 OF 1 REV E11

Mouser Electronics

Authorized Distributor

Click to View Pricing, Inventory, Delivery & Lifecycle Information:

[TE Connectivity:](#)

[2-964337-7](#)