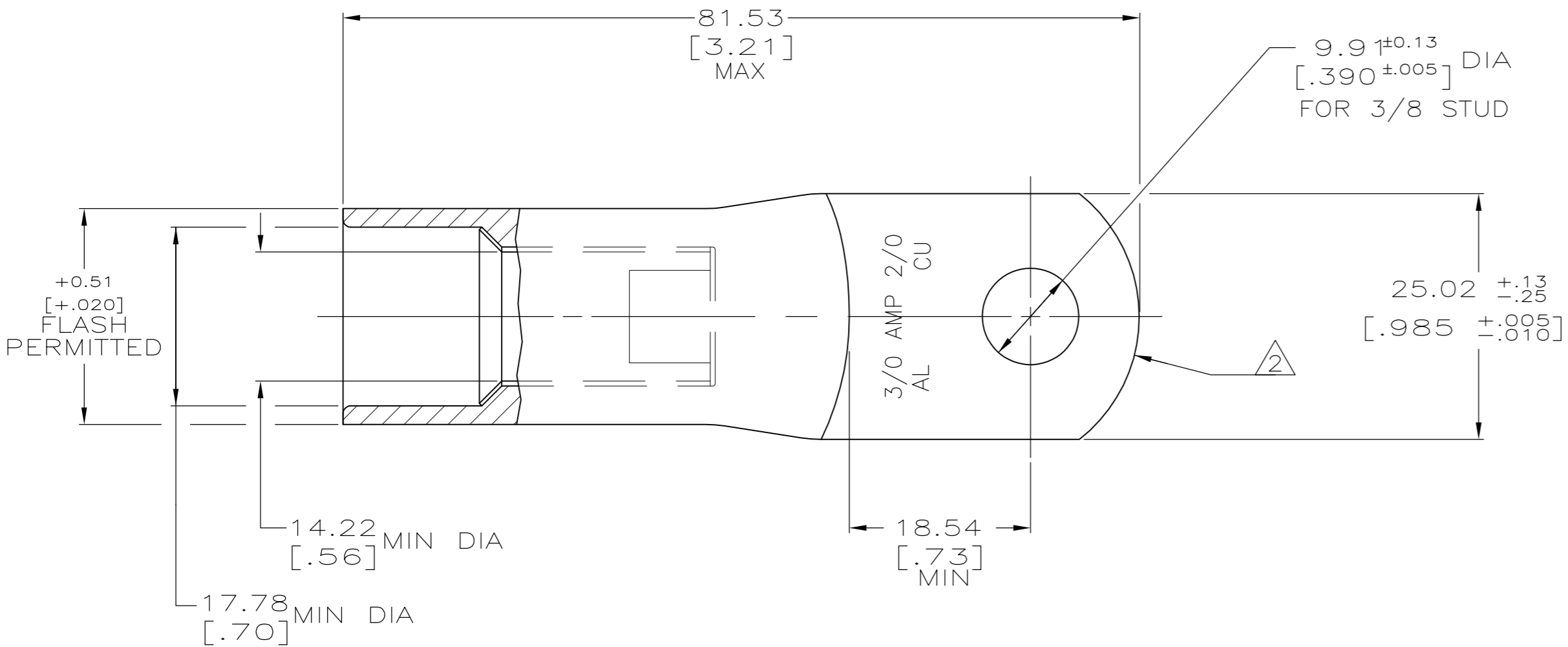
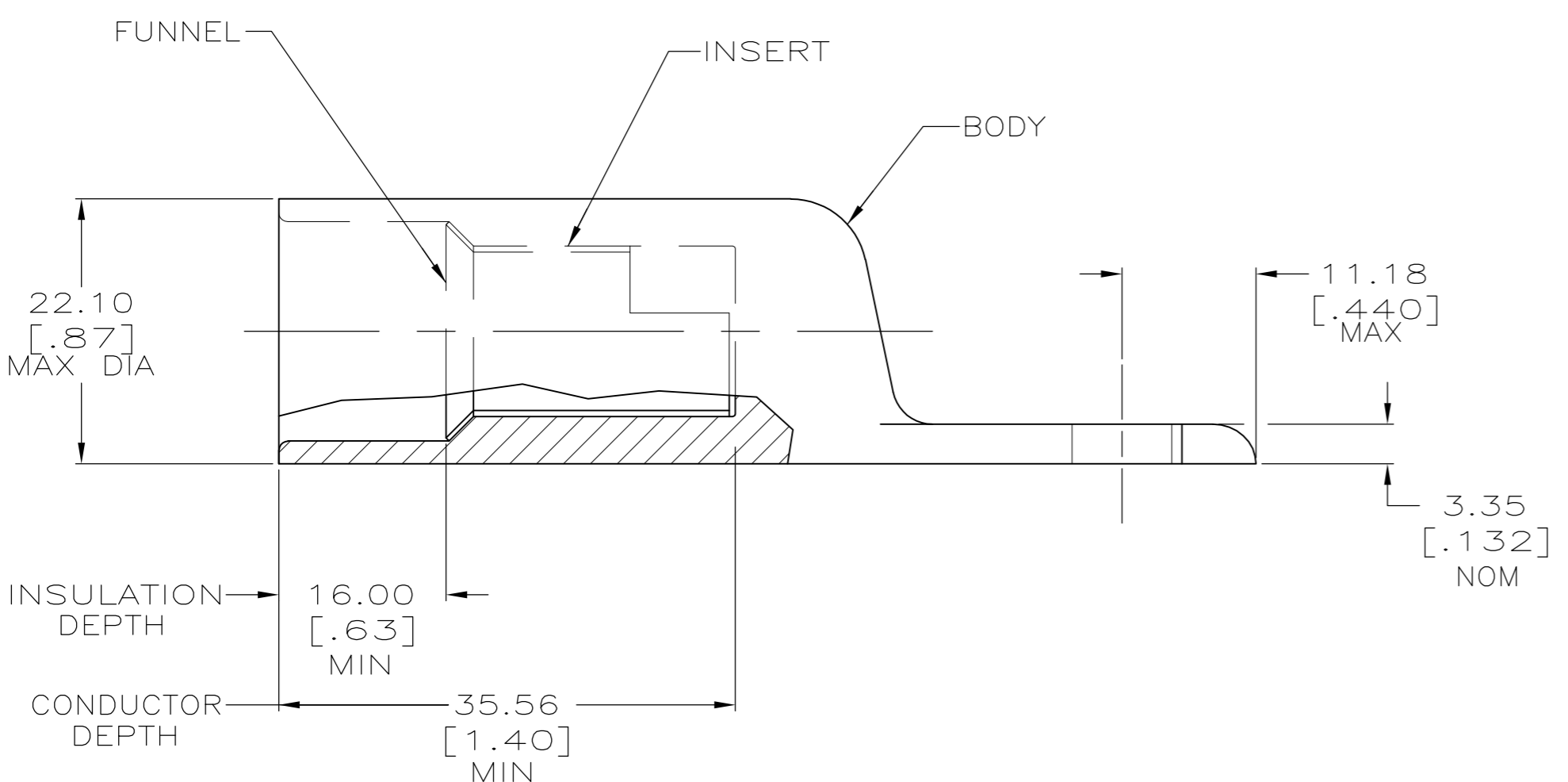


THIS DRAWING IS UNPUBLISHED. RELEASED FOR PUBLICATION
 © COPYRIGHT BY TYCO ELECTRONICS CORPORATION. ALL INTERNATIONAL RIGHTS RESERVED.

LOC	DIST	REVISIONS			
P	LTR	DESCRIPTION	DATE	DWN	APVD
G	86	H	REVISED PER ECO-09-012377	06JUN09	CT JW



- 1 WIRE INSULATION: 13.21[.520] - 16.38[.645] DIA
- △ THE TONGUE RADIUS FEATURE IS NOT A TOOLING CONTROLLED DIMENSION AND MAY NOT BE A TRUE RADIUS.



BODY: COPPER ASTM-B187 ANNEALED TIN PL MIL-T-10727 0.00381[.000150] MIN THK INSERT & FUNNEL: BRASS ASTM B36 NICKEL PL SAE AMS QQ-N-290A, DATED JULY 2000, 0.00254 [.000100] MIN THK	277153-1
MATERIAL & FINISH	PART NO.

THIS DRAWING IS A CONTROLLED DOCUMENT.		DWN DK SCHRUM 6/23/89	Tyco Electronics Corporation Harrisburg, Pa 17105-3608	
DIMENSIONS: MM [INCHES]		CHK MS FEHER 10/16/90	NAME WIRE TERMINAL, RING TONGUE, SEALED COPALUM	
TOLERANCES UNLESS OTHERWISE SPECIFIED:		APVD AJ KAUFMAN 10/23/90	PRODUCT SPEC 108-11011	
0 PLC ± -		APPLICATION SPEC 114-2134		
1 PLC ± -		WEIGHT 103 GRAMS		
2 PLC ± -		SCALE 2:1		
3 PLC ± .005		SHEET 1 of 1		
4 PLC ± -		REV H		
ANGLES ± -		CUSTOMER DRAWING		
FINISH SEE TABLE		RESTRICTED TO -		