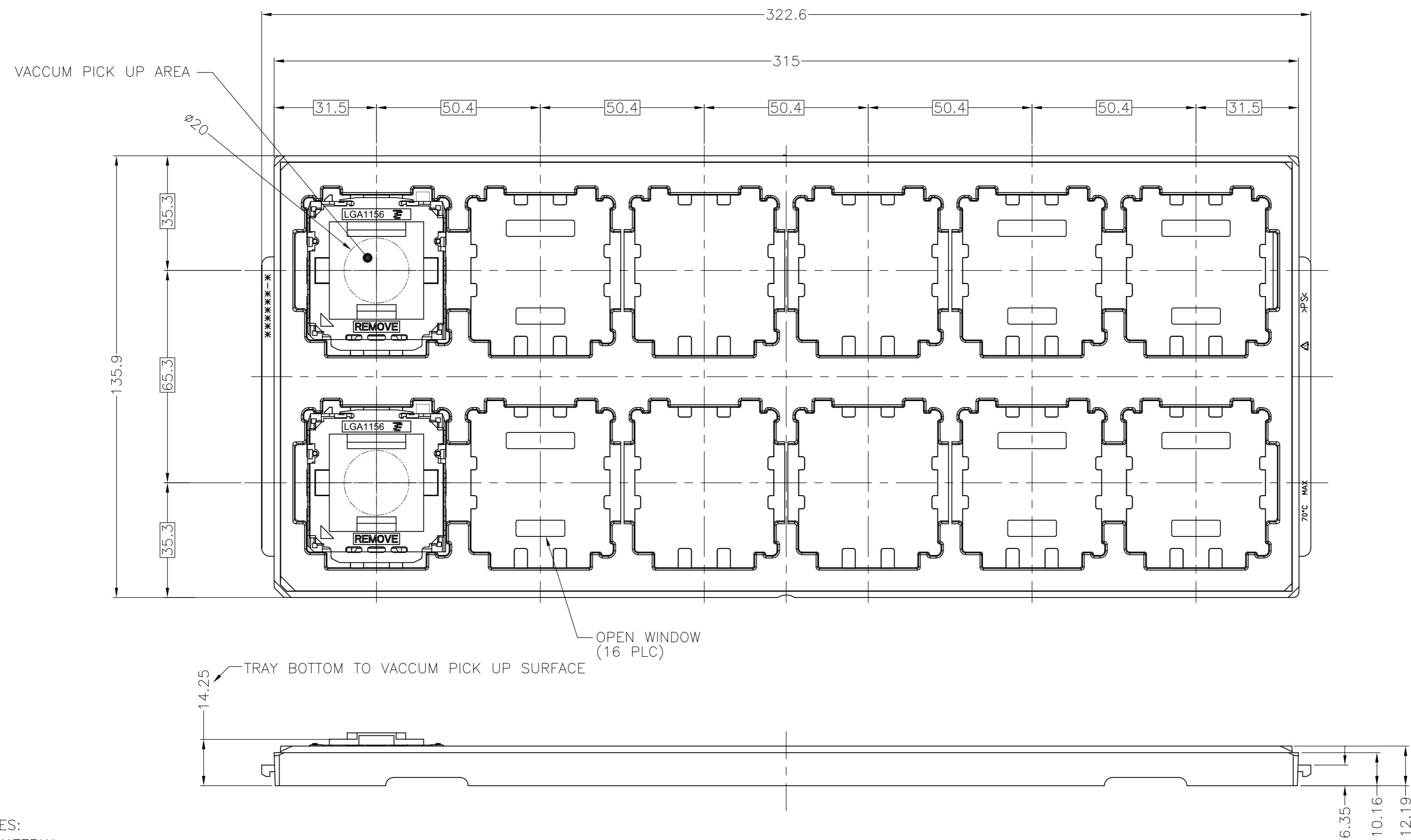


THIS DRAWING IS UNPUBLISHED. RELEASED FOR PUBLICATION  
 © COPYRIGHT - 20MAY2009 ALL RIGHTS RESERVED.

LOC	DIST	REVISONS					
J	-	P	LTR	DESCRIPTION	DATE	DWN	APVD
		B1	REVISED		01JUL'11	J.M	T.N



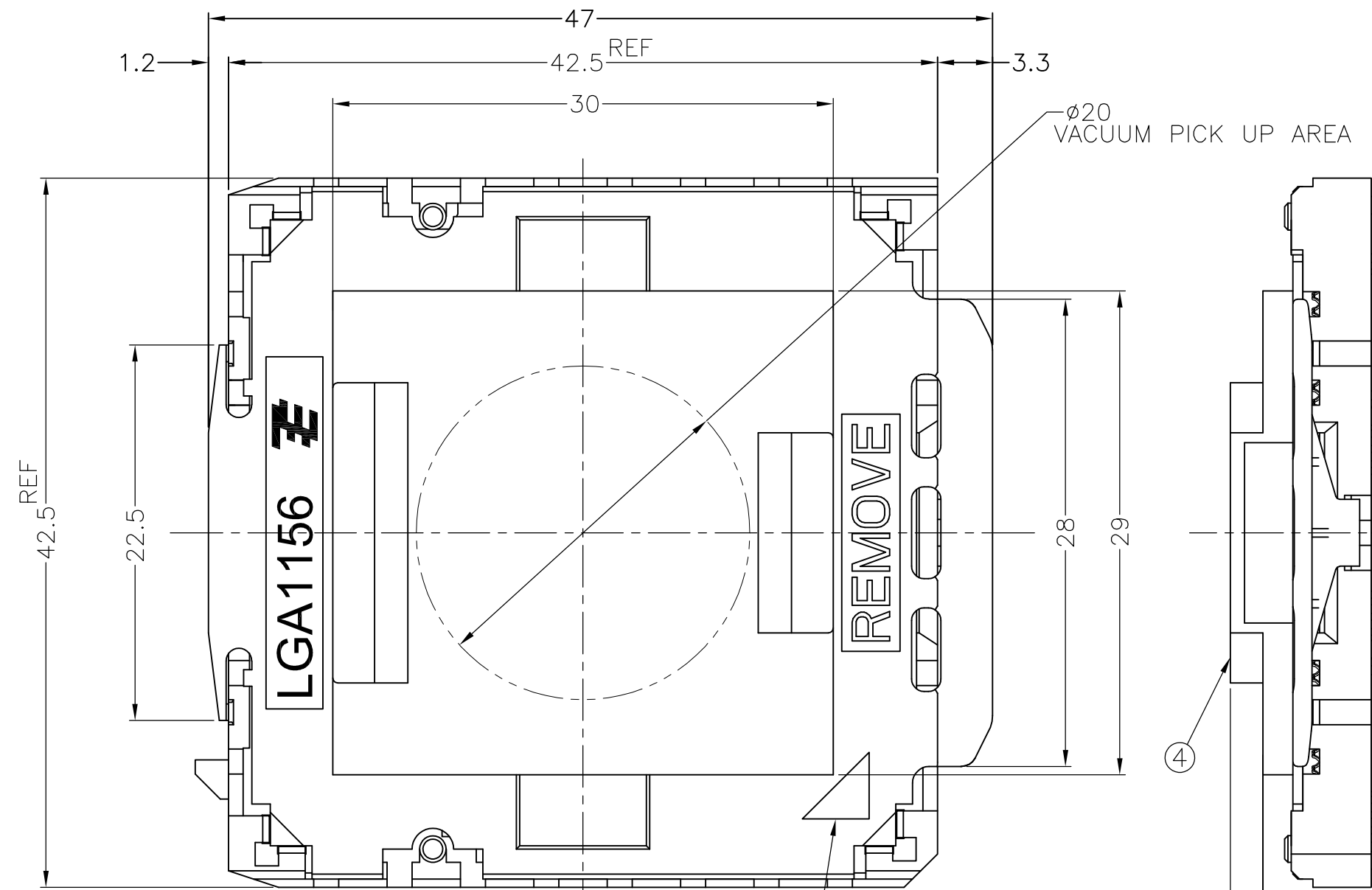
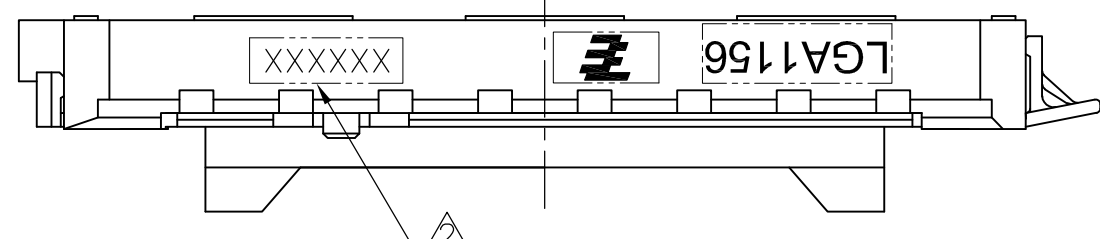
- NOTES:
- MATERIAL
    - HOUSING : HIGH TEMP, THERMO-PLASTIC, UL94V-0, BLACK
    - CONTACT : COPPER ALLOY  
FINISH : Au PL. AT CONTACT AREA ON OVERALL OVER Ni UNDER PL. 0.00127 MIN.
    - SOLDER BALL : Sn/Ag/Cu
    - CAP : HIGH TEMP. THERMO-PLASTIC, UL94V-0, BLACK
  - INDICATED DATE CODE ON THE HSG

2040540-2	GOLD FLASH PL
2040540-1	0.38 um MIN Au PL
PATR NUMBER	DESCRIPTION

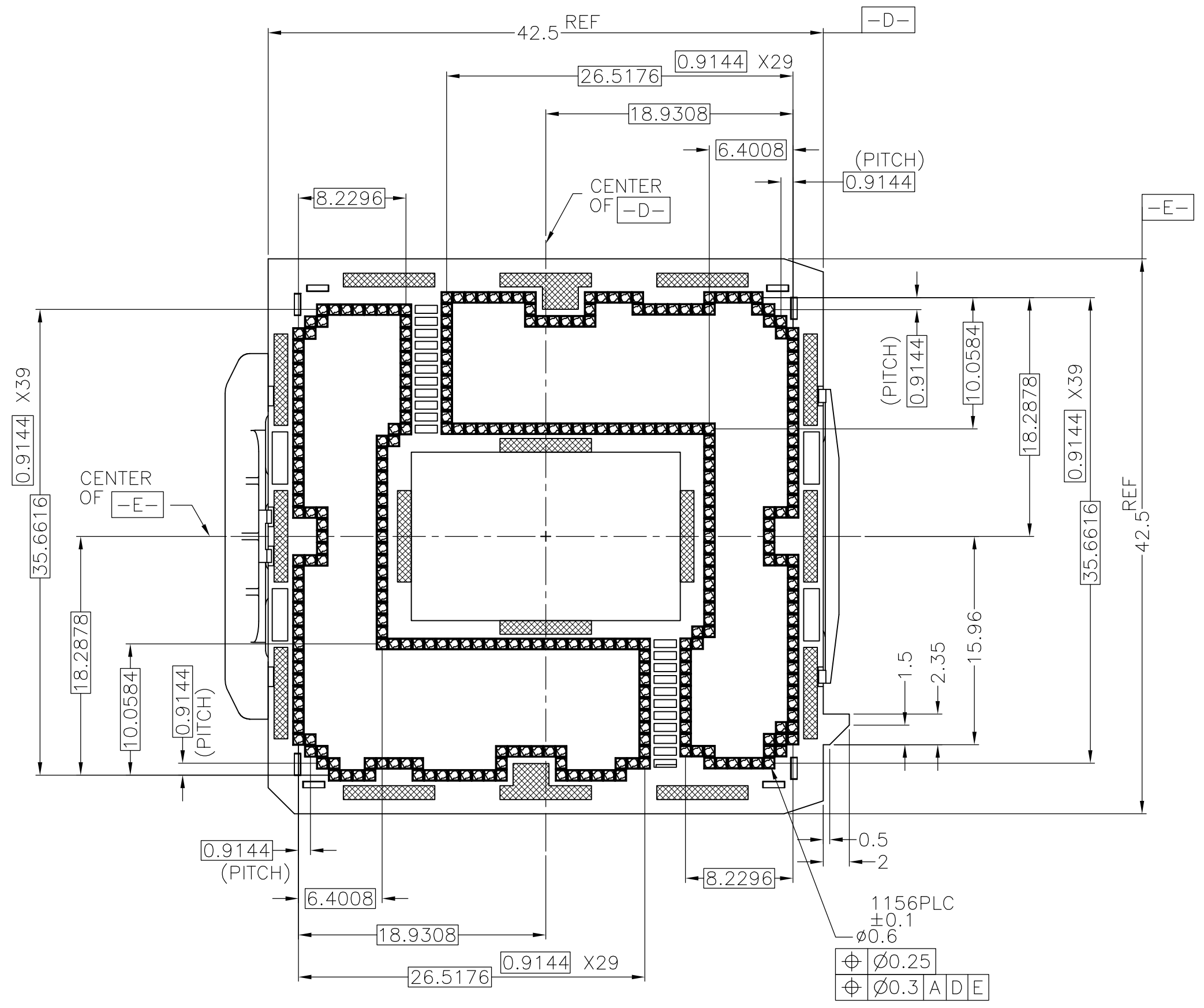
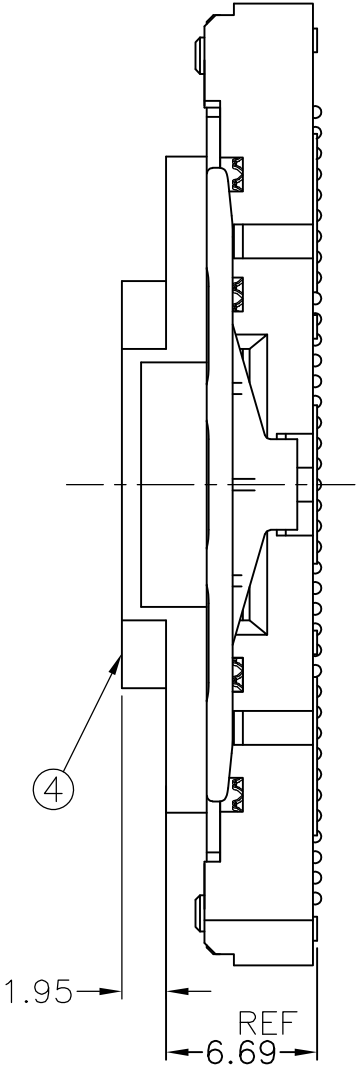
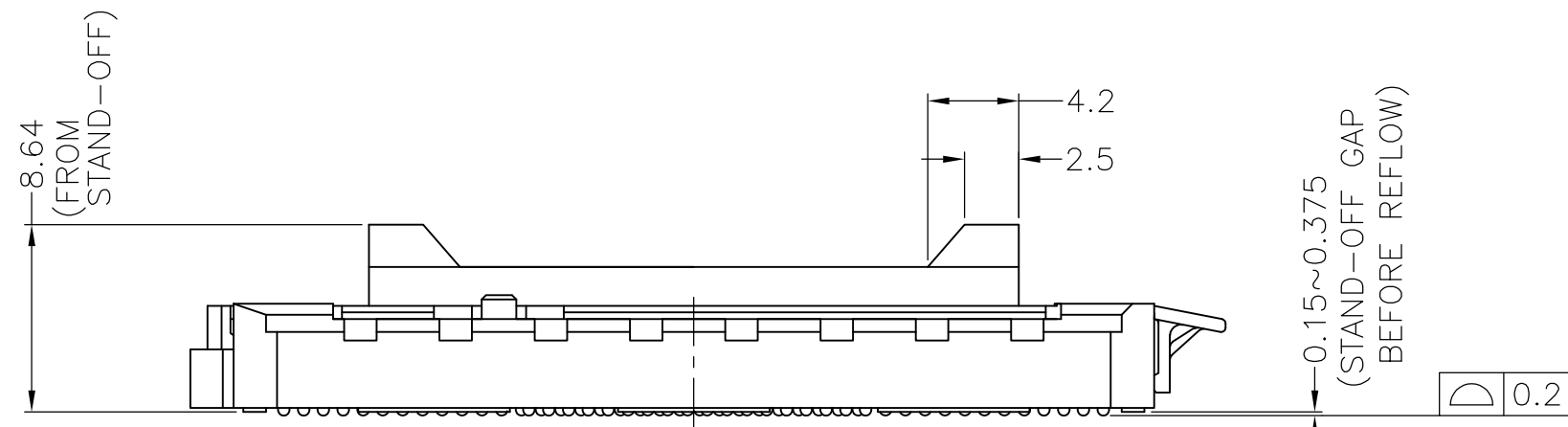
THIS DRAWING IS A CONTROLLED DOCUMENT.		DWN	T.TOKUNAGA	20MAY2009		TE Connectivity				
DIMENSIONS: 单位: 转 mm		CHK	H.TAGUCHI	20MAY2009		NAME 名称	SOCKET ASSY			
TOLERANCES UNLESS OTHERWISE SPECIFIED: 一般公差		APVD	T.NAKASHIMA	20MAY2009			LGA1156			
0-PLC ± ±0.5 1-PLC ± ±3' 2-PLC ± ±3' 3-PLC ± ±3' 4-PLC ± ±3' ANGLES ± ±		PRODUCT SPEC	108-78586			SIZE	A2			
MATERIAL 材料		APPLICATION SPEC	114-5444		CAGE CODE	00779	DRAWING NO 番号	C=2040540	RESTRICTED TO	-
		WEIGHT	9.8g		SCALE 尺度	1:1	SHEET	1 of 5	REV	B1
		CUSTOMER DRAWING								

THIS DRAWING IS UNPUBLISHED. RELEASED FOR PUBLICATION  
 © COPYRIGHT - By - ALL RIGHTS RESERVED.

LOC		DIST		REVISIONS			
P	LTR	DATE	DWN	APVD	DESCRIPTION		
-	-	-	-	-	SEE SHEET 1		



TRIANGLE MARK FOR A1 POSITION



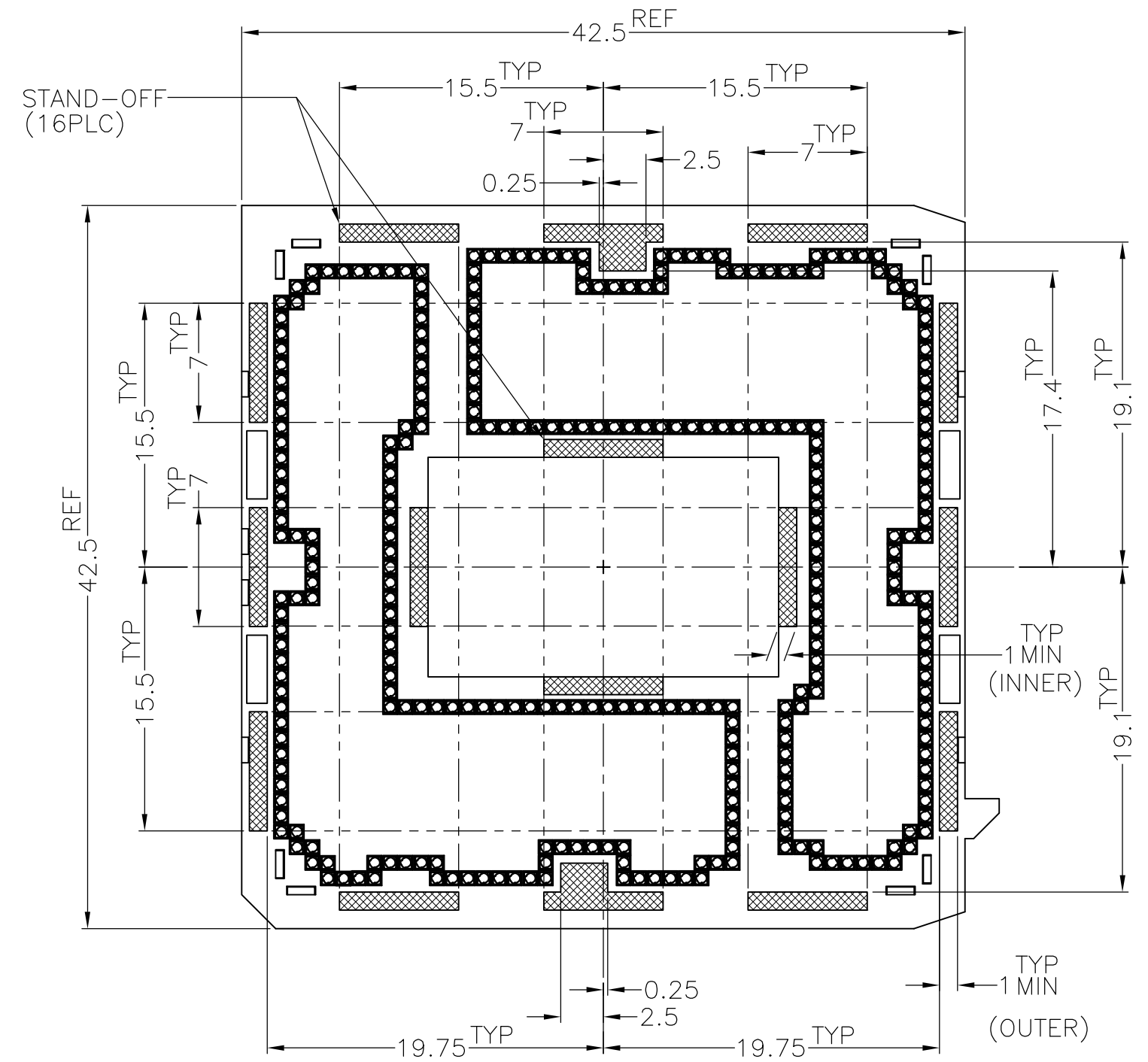
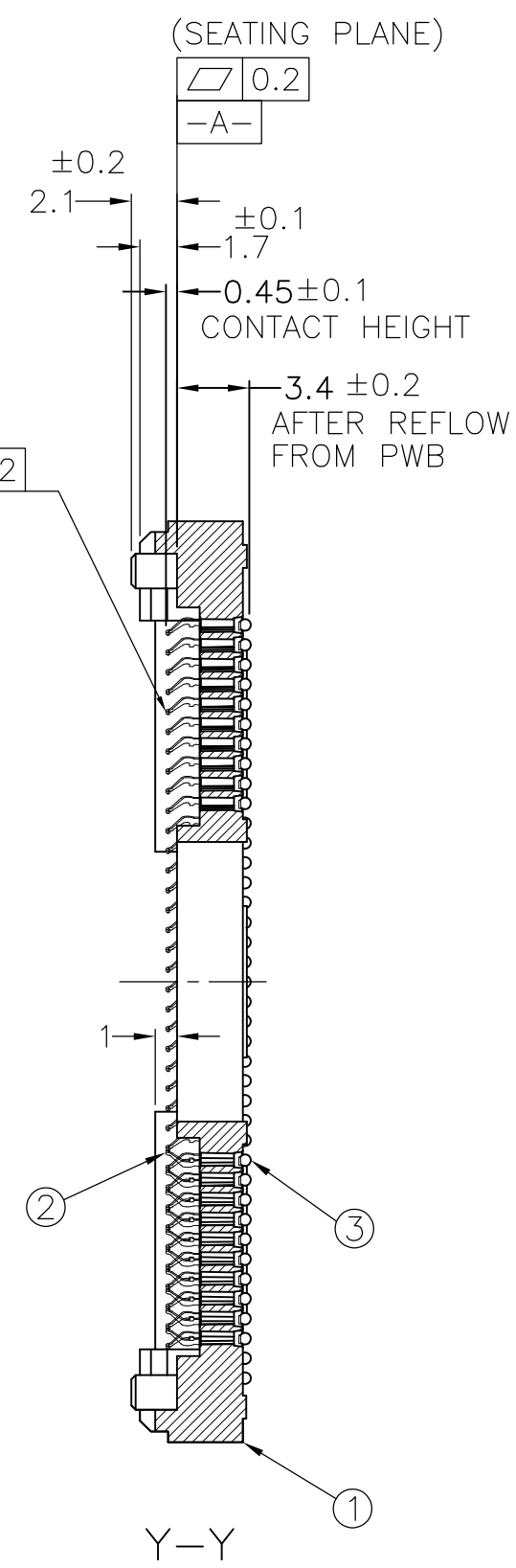
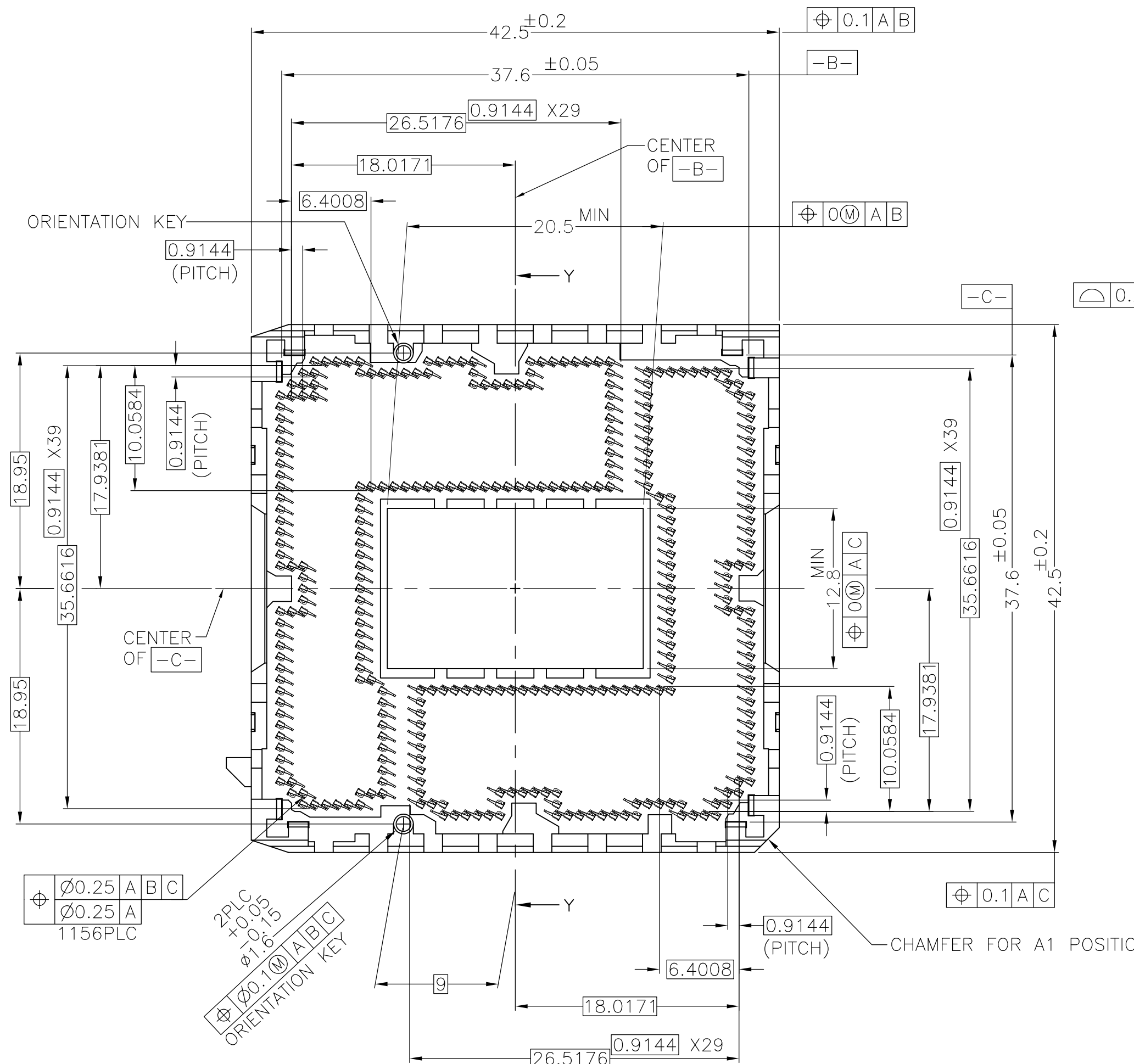
1156PLC	±0.1	Ø0.6
Ø0.25		
Ø0.3	A	D E

2040540-X : AS SHOWN

THIS DRAWING IS A CONTROLLED DOCUMENT.		DWN	-	TE Connectivity	
DIMENSIONS: 單位: 毫米 mm		CHK	-		
TOLERANCES UNLESS OTHERWISE SPECIFIED: 一般公差		APVD	-	NAME 名稱	
0-PLC ± ±0.3 1-PLC ± ±0.3 2-PLC ± ±3 3-PLC ± ± 4-PLC ± ± ANGLES ± FINISH 仕上		PRODUCT SPEC 製品規格		SOCKET ASSY LGA1156	
MATERIAL 材料		APPLICATION SPEC 取付適用規格		SIZE	RESTRICTED TO
		WEIGHT -		A2	-
		CUSTOMER DRAWING		CAGE CODE 00779	DRAWING NO 2040540
		SCALE 尺度 NTS		SHEET 2 of 5	REV B1

THIS DRAWING IS UNPUBLISHED. RELEASED FOR PUBLICATION  
 © COPYRIGHT - By - ALL RIGHTS RESERVED.

LOC		DIST		REVISIONS			DATE	DWN	APVD
P	LTR	DESCRIPTION							
-	-	SEE SHEET 1			-	-	-	-	-



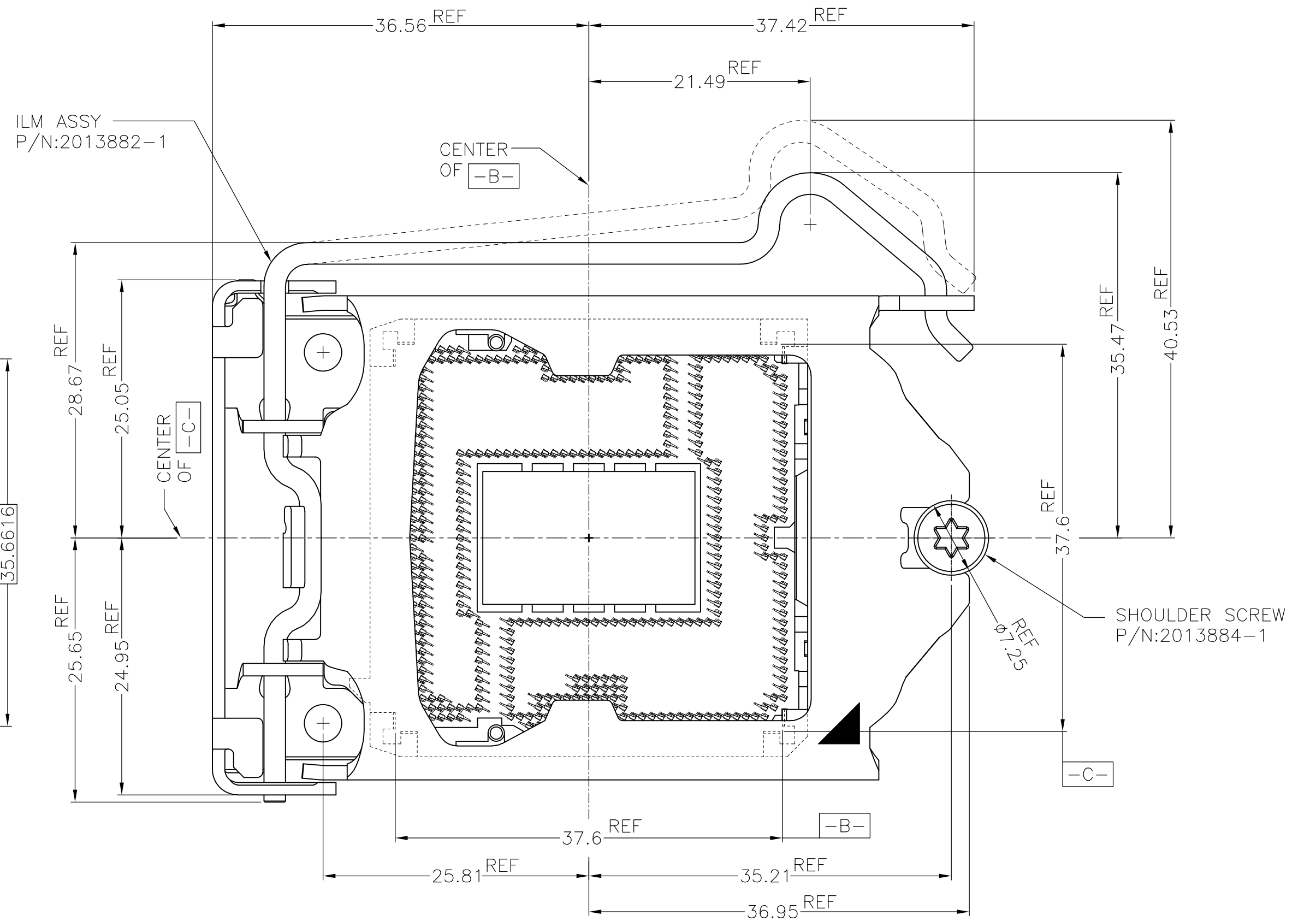
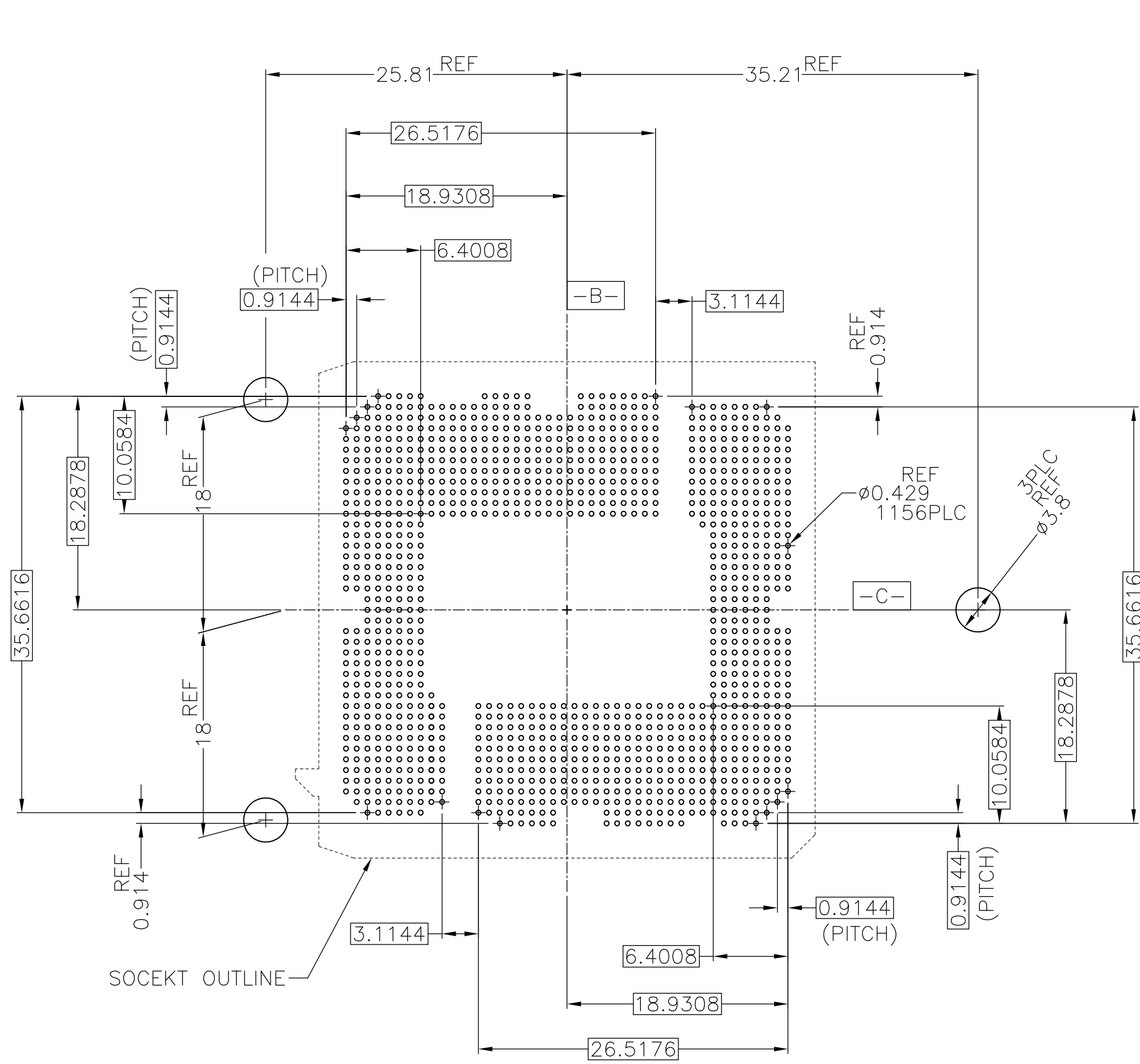
THESE VIEWS DON'T SHOW CAP

2040540-X : AS SHOWN

THIS DRAWING IS A CONTROLLED DOCUMENT.		DWN	TE Connectivity		
DIMENSIONS: 單位: 精 mm		CHK	SOCKET ASSY LGA1156		
TOLERANCES UNLESS OTHERWISE SPECIFIED: 一般公差		APVD	SIZE	CAGE CODE	DRAWING NO
Ø PLC	±0.3		A2	00779	C=2040540
1-PLC	±3		RESTRICTED TO		
2-PLC	±3		SCALE NTS SHEET 3 of 5 REV B1		
3-PLC	±3				
4-PLC	±3				
ANGLES	±1				
FINISH	仕上				
MATERIAL	材料				
CUSTOMER DRAWING					

THIS DRAWING IS UNPUBLISHED. RELEASED FOR PUBLICATION  
 © COPYRIGHT - By - ALL RIGHTS RESERVED.

LOC		DIST		REVISIONS			
P	LTR	DESCRIPTION	DATE	DWN	APVD		
-	-	SEE SHEET 1	-	-	-		



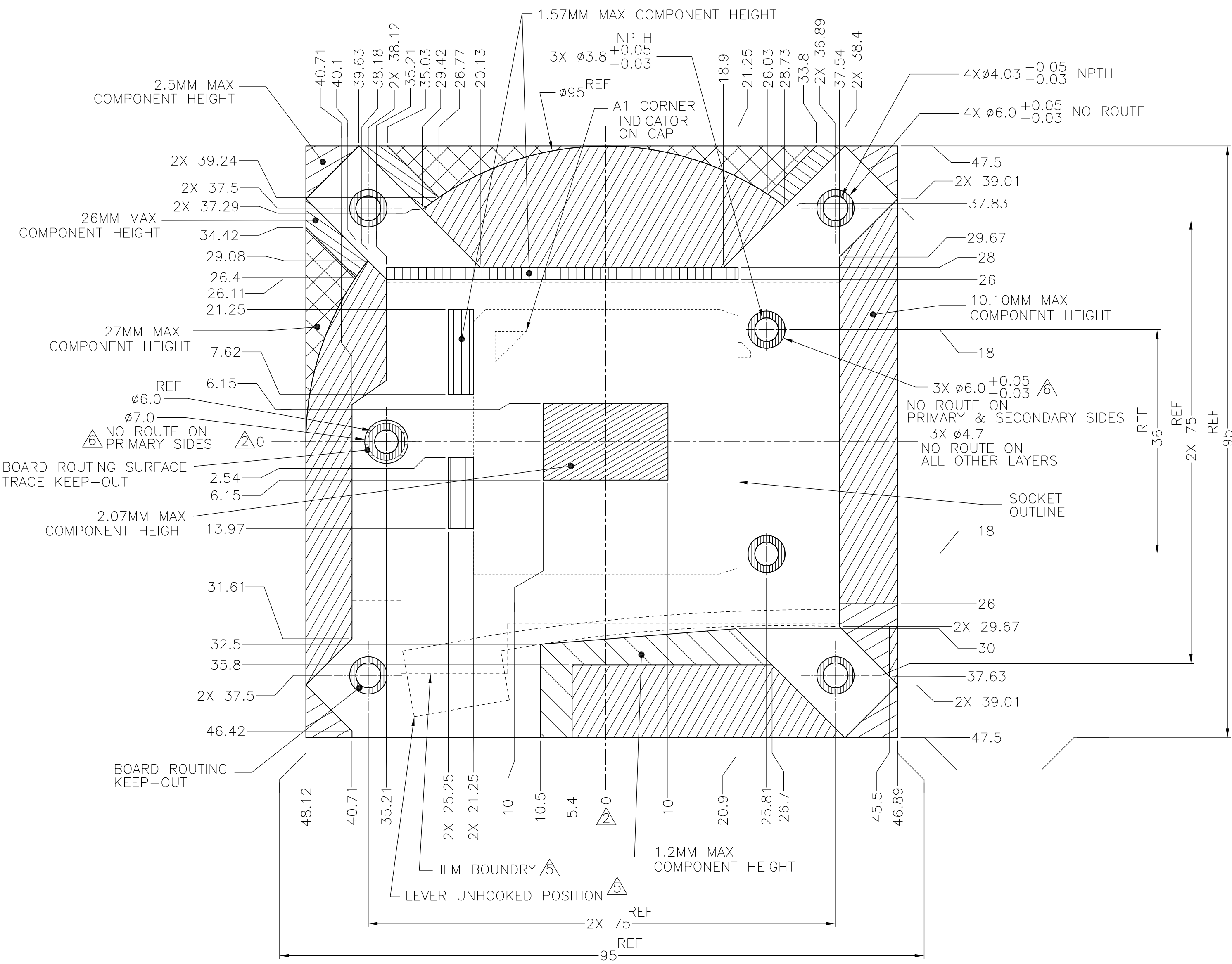
ILM ASSEMBLY OCCUPATION AREA (REFERENCE)  
 CAP IS NOT SHOWN ON THIS VIEW

FOR GENERAL BOARD DESIGN, PLEASE REFER TO THE THERMAL AND MECHANICAL DESIGN GUIDELINES(TMDG) PROVIDED BY INTEL CORPORATION

THIS DRAWING IS A CONTROLLED DOCUMENT.		DWN	TE Connectivity		
DIMENSIONS: 单位: 毫米 mm		CHK	NAME		
TOLERANCES UNLESS OTHERWISE SPECIFIED: 一般公差		APVD	SOCKET ASSY LGA1156		
0 PLC ± 0.3 1 PLC ± 0.3 2 PLC ± 0.3 3 PLC ± 0.3 4 PLC ± 0.3 ANGLES ± 1	FINISH 仕上	PRODUCT SPEC 製品規格	SIZE A2	CAGE CODE 00779	DRAWING NO 番号 C=2040540
MATERIAL 材料	WEIGHT	APPLICATION SPEC 取付適用規格	RESTRICTED TO	SCALE 尺度 NTS SHEET 4 of 5 REV B1	
CUSTOMER DRAWING					

THIS DRAWING IS UNPUBLISHED. RELEASED FOR PUBLICATION  
 © COPYRIGHT - By - ALL RIGHTS RESERVED.

LOC	DIST	REVISIONS				
		P	LTR	DATE	DWN	APVD
-	-	-	-	-	-	-
SEE SHEET 1				-	-	-



- NOTES (APPLIED TO SHEET 5 OF 5):
1. DIMENSIONS ARE IN MILLIMETERS
  2.  $\Delta$  GEOMETRIC CENTER OF SOCKET HOUSING CAVITY
  3. BOARD COMPONENT KEEP-INS AND MECHANICAL COMPONENT KEEP-OUTS TO BE UTILIZED WITH SUFFICIENT ALLOWANCES FOR PLACEMENT AND SIZE TOLERANCES, ASSEMBLY PROCESS ACCESS, AND DYNAMIC EXCURSIONS.
  4. ASSUME SYMMETRY FOR UNDIMENSIONED CORNERS AND EDGES.
  5.  $\Delta$  FOR UNDEFINED DIMENSIONS, REFER TO THERMAL AND MECHANICAL DESIGN GUIDELINE PROVIDED BY INTEL CORPORATION.
  6.  $\Delta$  COPPER PAD ON PRIMARY SIDE, NON-GROUNDED. COPPER PAD CAN INSET A MAXIMUM OF 0.127MM FROM THE NO ROUTE EDGE
  7.  $\Delta$  COMBINED COMPONENT AND SOLDER PASTE HEIGHT INCLUDING TOLERANCES AFTER REFLOW.

COMPONENT KEEP-INS AND MECHANICAL COMPONENT KEEP-OUTS

FOR REFERENCE ONLY, PLEASE REFER TO THE THERMAL AND MECHANICAL DESIGN GUIDELINES(TMDG) PROVIDED BY INTEL CORPORATION

LEGEND	
	SOCKET/THERMAL/MECHANICAL COMPONENT KEEP-INS
	10.10MM MAX COMPONENT HEIGHT $\Delta$
	1.57MM MAX COMPONENT HEIGHT $\Delta$
	1.2MM MAX COMPONENT HEIGHT $\Delta$
	BOARD ROUTING KEEP-OUT
	27MM MAX COMPONENT HEIGHT $\Delta$
	BOARD ROUTING SURFACE TRACE KEEP-OUT $\Delta$
	2.07MM MAX COMPONENT HEIGHT $\Delta$
	2.5MM MAX COMPONENT HEIGHT $\Delta$
	26MM MAX COMPONENT HEIGHT $\Delta$

THIS DRAWING IS A CONTROLLED DOCUMENT.		DWN	-	TE Connectivity	
DIMENSIONS: 单位: 毫米 mm		CHK	-		
TOLERANCES UNLESS OTHERWISE SPECIFIED: 一般公差		APVD	-	NAME 名称	
0 PLC ± 1 PLC ± 2 PLC ± 3 PLC ± 4 PLC ± ANGLES ± FINISH 仕上		PRODUCT SPEC 製品規格 APPLICATION SPEC 取付適用規格		SOCKET ASSY LGA1156	
MATERIAL 材料	WEIGHT	SIZE	CAGE CODE	DRAWING NO 番号	RESTRICTED TO
		A2	00779	C=2040540	-
CUSTOMER DRAWING			SCALE 尺度	SHEET 5 of 5	REV B1

# Mouser Electronics

Authorized Distributor

Click to View Pricing, Inventory, Delivery & Lifecycle Information:

[TE Connectivity:](#)

[2040540-1](#)