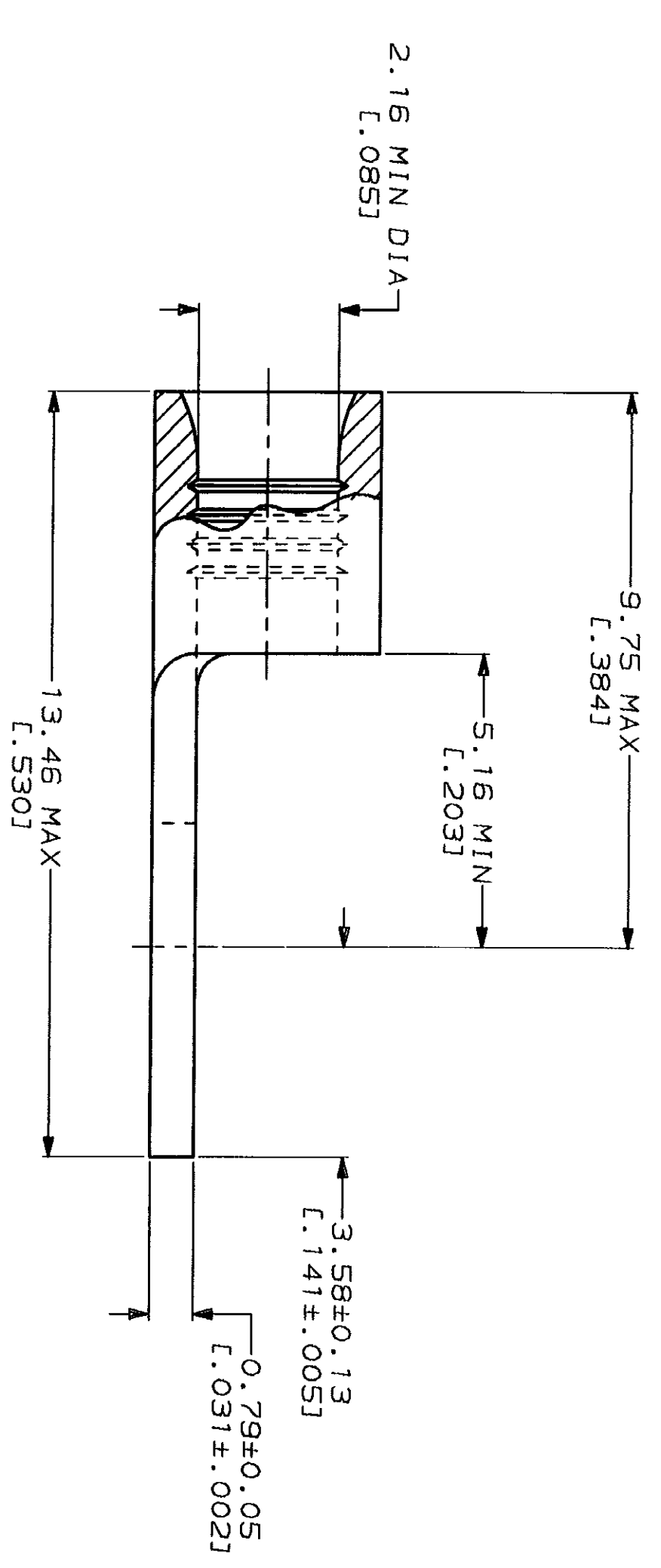


METRIQ
 DIMENSIONS LISTED IN mm [INCHES]

AMP WIRE RANGE	UL E13288 Listed
16-14 AWG SOLID OR STRANDED	16-14 AWG SOLID OR STRANDED
LR7189 Certified	MILITARY P/N AND CLASS
16-14 AWG SOLID OR STRANDED	NOT APPLICABLE

△ STAMP AMP 16-14* APPROX AS SHOWN



**AMP INCORPORATED
 CUSTOMER SERVICE SYSTEMS**

FOR ADDITIONAL PRODUCT INFORMATION OR COPIES OF DRAWINGS AND TECHNICAL DOCUMENTS	PRODUCT INFORMATION CENTER 1-800-522-6752
FOR APPLICATION TOOLING INFORMATION	TOOLING ASSISTANCE CENTER 1-800-722-1111
FOR ORDER ENTRY	1-800-526-5142

MAX RECOMMENDED OPERATING TEMPERATURE: 170°C MAX	DO NOT SCALE PRINT. UNLESS SPECIFIED DIMENSIONS IN mm (INCHES) TOLERANCES ON: 2 PLG DEC ± .005 3 PLG DEC ± .002 ANGLES
VOLTAGE RATING: NOT APPLICABLE	MATERIAL COPPER PER ASTM B-152 ANNEALED
WIRE CROSS SECTIONAL AREA RANGE: 1.04-2.62mm ² (2,050-5,180) CIR MILS SOLID OR STRANDED	FINISH TIN PLATE 0.00254 [L.000100] MIN THK PER MIL-T-10727

DR 3-26-93 TA BRINKMAN	DR 3-26-93 TA BRINKMAN
CHK 3-26-93 DA PATTERSON	CHK 3-26-93 DA PATTERSON
APPD 3-26-93 DE MILLER	APPD 3-26-93 DE MILLER
APPD 3-26-93 JL NECKLEY	APPD 3-26-93 JL NECKLEY
APPLICATION SPEC	APPLICATION SPEC
WEIGHT	WEIGHT

5000	ON TAPE	2-36880-1
---	LOOSE PIECE	36880
QUANTITY	PACKAGING TYPE	PART NO

AMP
 AMP Incorporated
 Harrisburg, PA 17105-3608

TERMINAL, SPADE
 TONGUE, SOLI STRAND™

SIZE	CAGE CODE	DRAWING NO
①	00779	①-36880
SCALE 10:1		