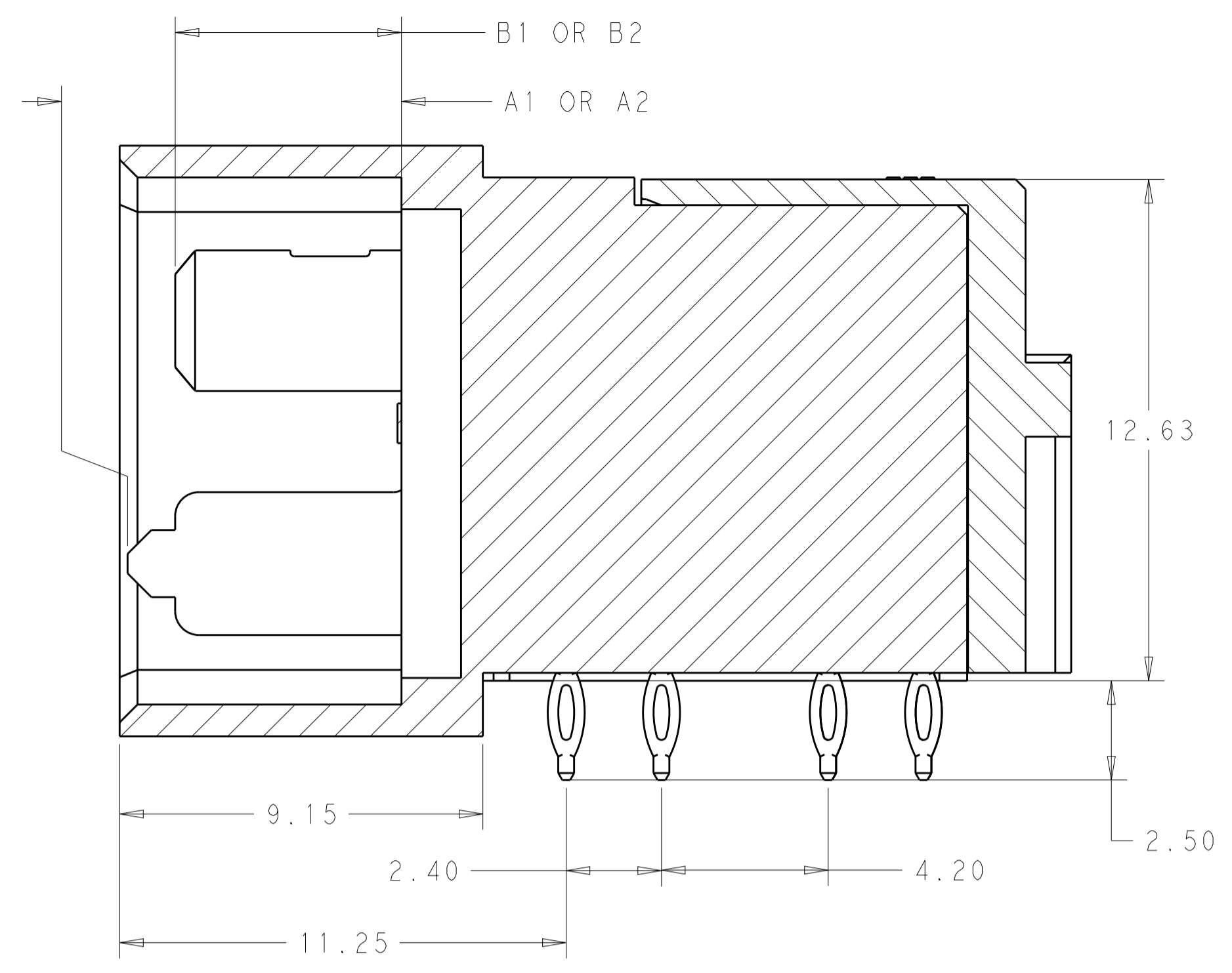
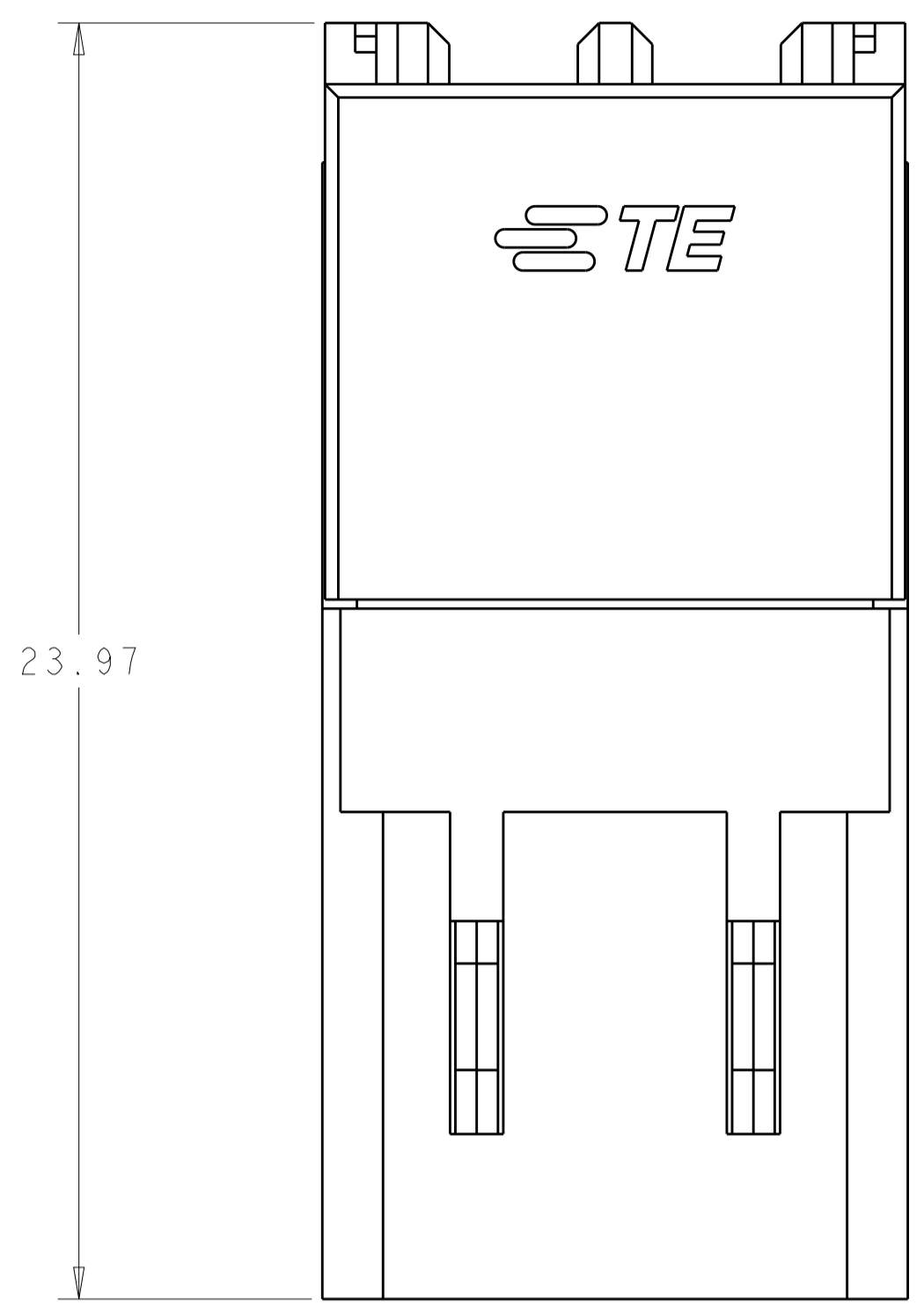
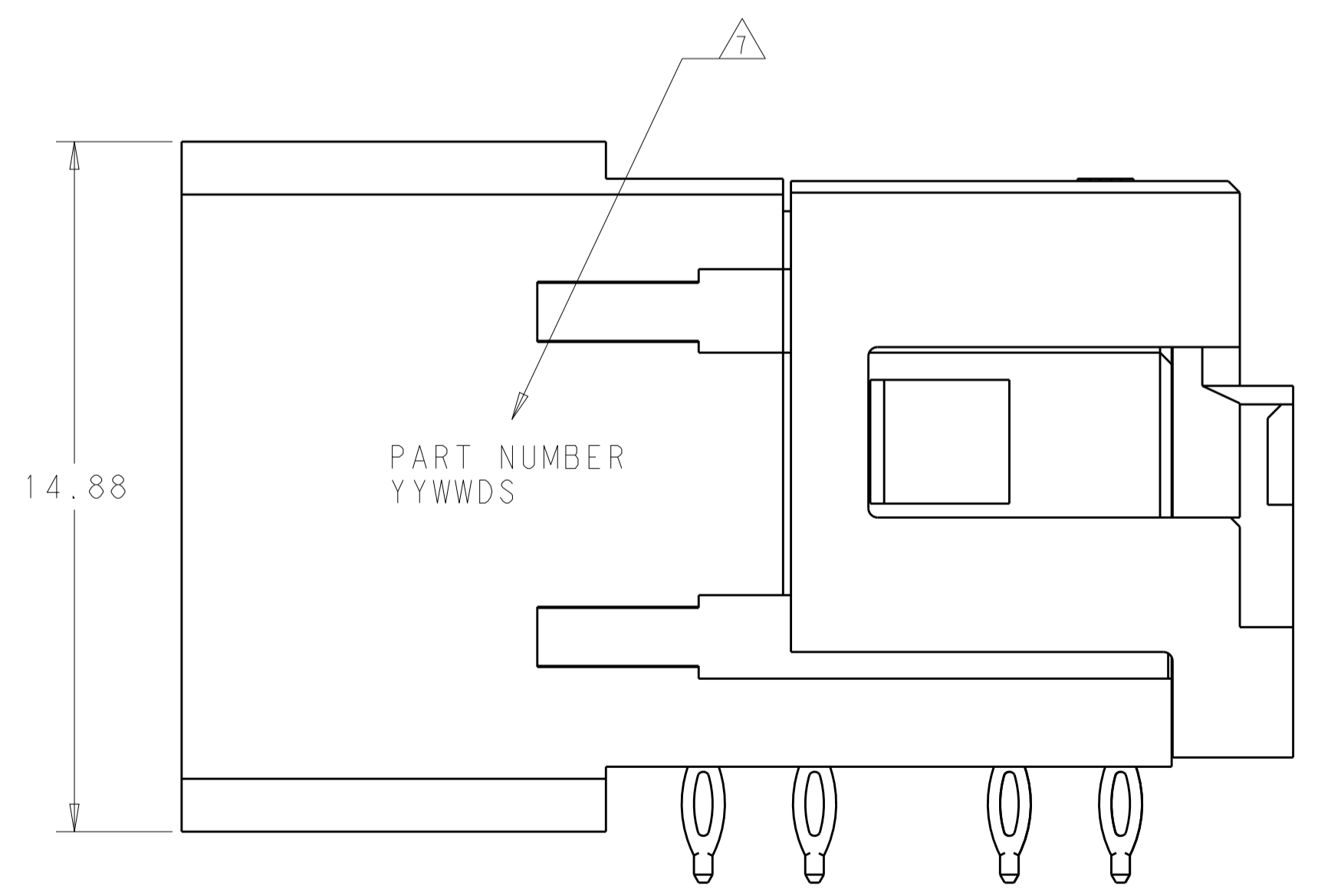
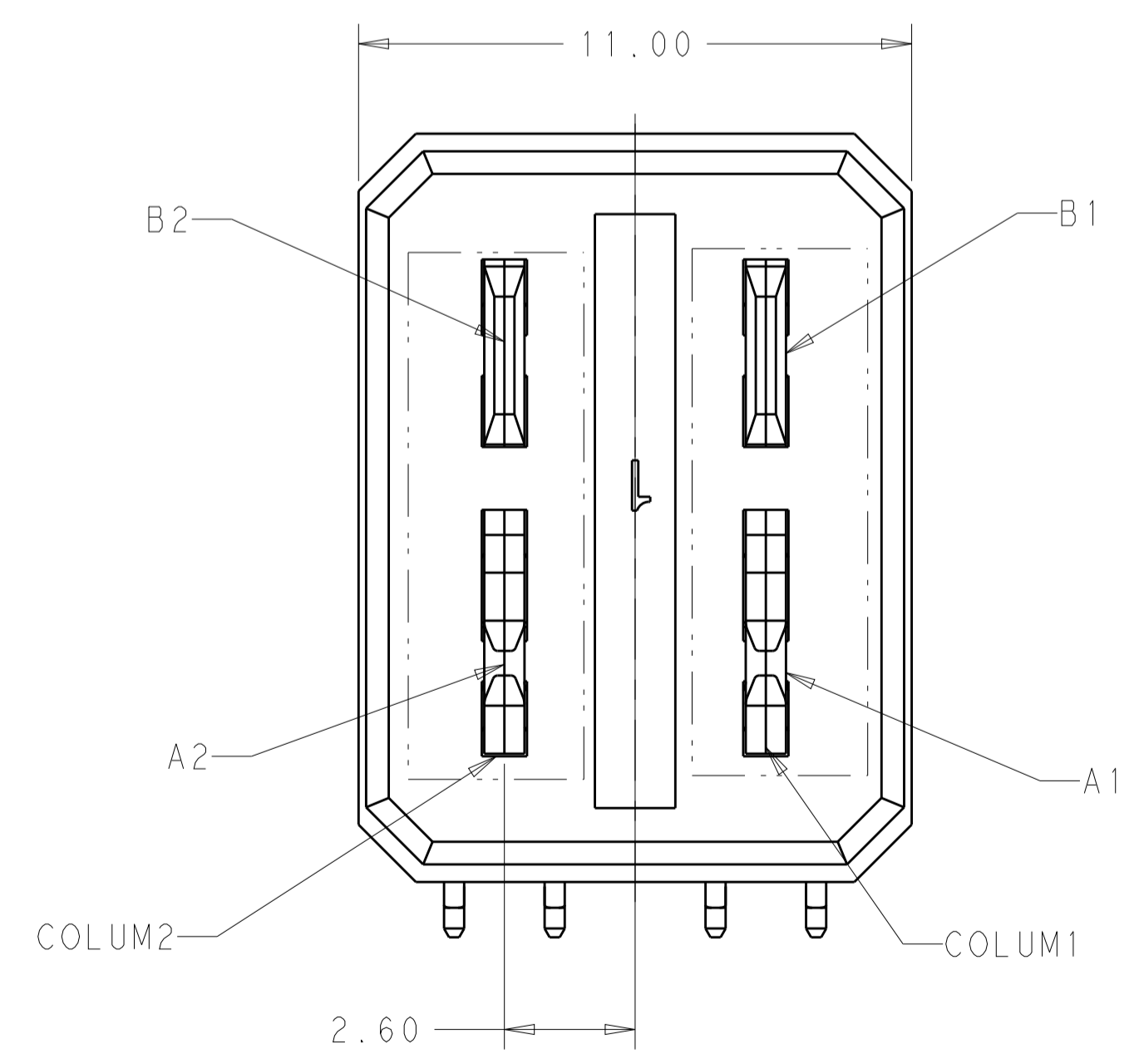


LOC		DIST		REVISIONS			
P	LTN	DESCRIPTION	DATE	DWN	APVD		
A3		REV PER ECR-12-013085	24JULY2012	LW	AC		
B		REV PER ECR-13-017562	14NOV2013	HS	FY		



SECTION Z-Z

- NOTES:
- MATERIALS:
 HOUSING: HIGH TEMP. THERMOPLASTIC GLASS/MINERAL FILLED UL94V-0
 TERMINAL: COPPER ALLOY
 - FINISH:
 TIN OPTION- GOLD AT CONTACT AREA AND NICKEL UNDERPLATED OVER ALL TIN AT TAIL AREA
 TIN-LEAD OPTION- GOLD AT CONTACT AREA AND NICKEL UNDERPLATED OVER ALL TIN-LEAD AT TAIL AREA
 - PCB HOLE SIZE:
 -DRILLED HOLE SIZE 0.838MM REF
 -COPPER UNDERPLATE 0.03 TO 0.07MM
 -TIN/TIN-LEAD SURFACE PLATED FINISHED HOLE SIZE 0.725±0.075MM OR ORGANIC SURFACE PROTECTANT (OSP) PLATED FINISHED HOLE SIZE 0.75±0.05MM
 - CONNECTOR WERE PACKED BY TRAY
 5. REFER TO TE'S PRODUCT SPECIFICATION: 108-2473 FOR TORQUE FORCE AND RETENTION FORCE
 - MATED WITH 2169806-*
 - PART NUMBER AND DATE CODE AT ASSEMBLY AREA AS APPROXIMATE SHOWN. ALSO CAN BE OPPOSITE SIDE
 - THERE ARE TWO TYPES OPTION ONE TYPE WITH DOVETAIL ANOTHER WITHOUT DOVETAIL
 - COMPONENT PLACEMENT ZONE



TRAY	TIN PLATING	NO DOVE TAIL	6.9	6.9	6.9	6.9	2169797-1
			5.7	5.7	5.7	5.7	2169797-2
			6.9	6.9	5.7	5.7	2169797-3
			5.7	5.7	6.9	6.9	2169797-4
			5.7	6.9	5.7	5.7	2169797-5
		WITH DOVE TAIL	6.9	6.9	6.9	6.9	2169797-6
			5.7	5.7	5.7	5.7	2169797-7
			6.9	6.9	5.7	5.7	2169797-8
			5.7	5.7	6.9	6.9	2169797-9
			6.0	6.0	6.0	6.0	5-2169797-1
			5.7	5.7	5.7	5.7	5-2169797-2
		NO DOVE TAIL	6.9	6.9	5.7	5.7	5-2169797-3
			5.7	5.7	6.9	6.9	5-2169797-4
	TIN-LEAD PLATING		5.7	6.9	5.7	5.7	5-2169797-5
			6.9	6.9	6.9	6.9	5-2169797-6
		WITH DOVE TAIL	5.7	5.7	5.7	5.7	5-2169797-7
			6.9	6.9	5.7	5.7	5-2169797-8
			5.7	5.7	6.9	6.9	5-2169797-9
PACKAGING	PLATING OPTION	TYP 8	B1	B2	A2	A1	PART NUMBER

THIS DRAWING IS A CONTROLLED DOCUMENT. DWN: LERRY.WANG 05MAY2011
 CHK: SUNY.ZHAO 05MAY2011
 APVD: SUNY.ZHAO 05MAY2011

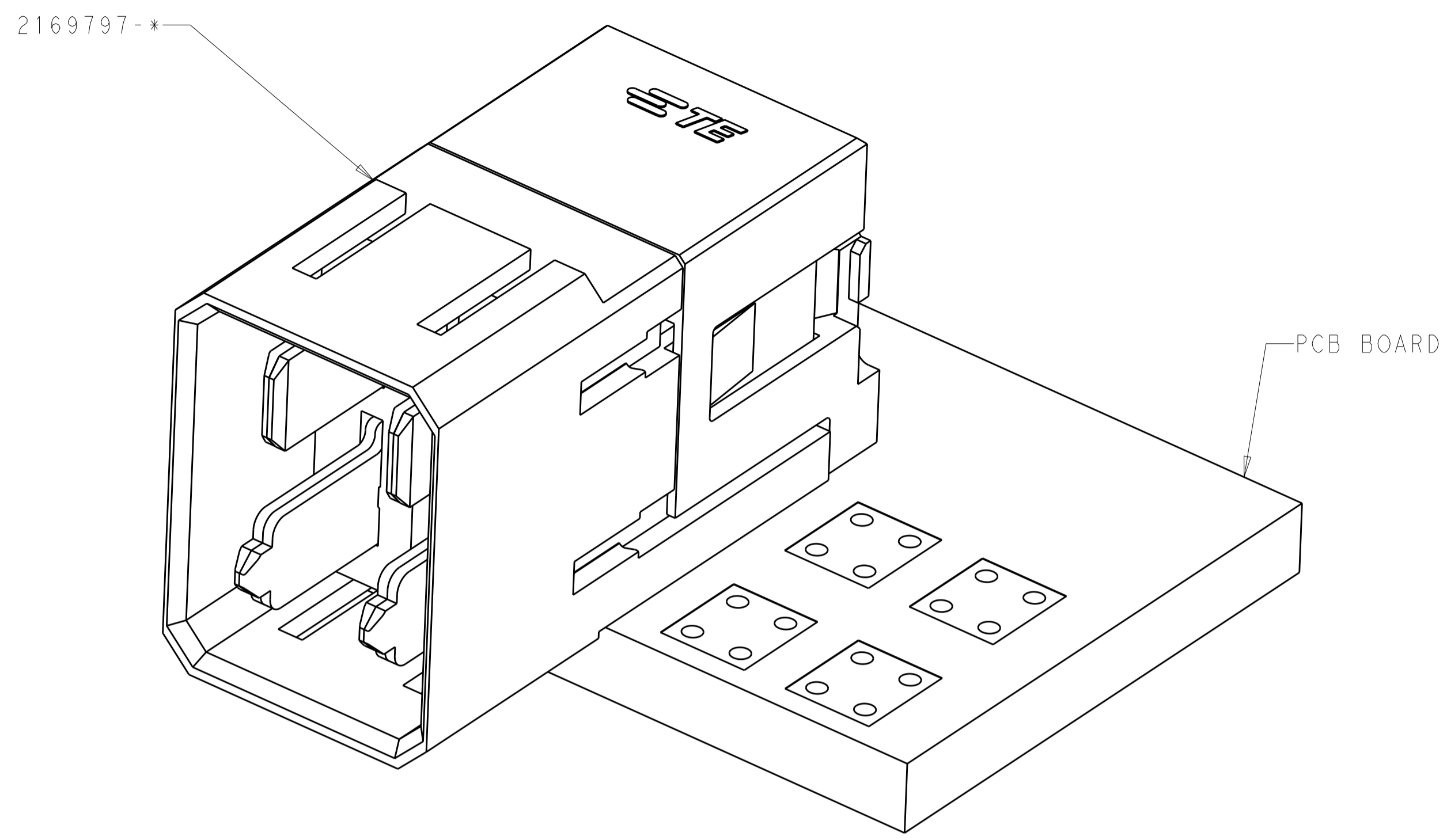
DIMENSIONS: mm
 TOLERANCES UNLESS OTHERWISE SPECIFIED:
 0 PLC ±.1
 1 PLC ±.15
 2 PLC ±.25
 3 PLC ±.3
 4 PLC ±.4
 ANGLES ±.5

MATERIAL: FINISH: 2

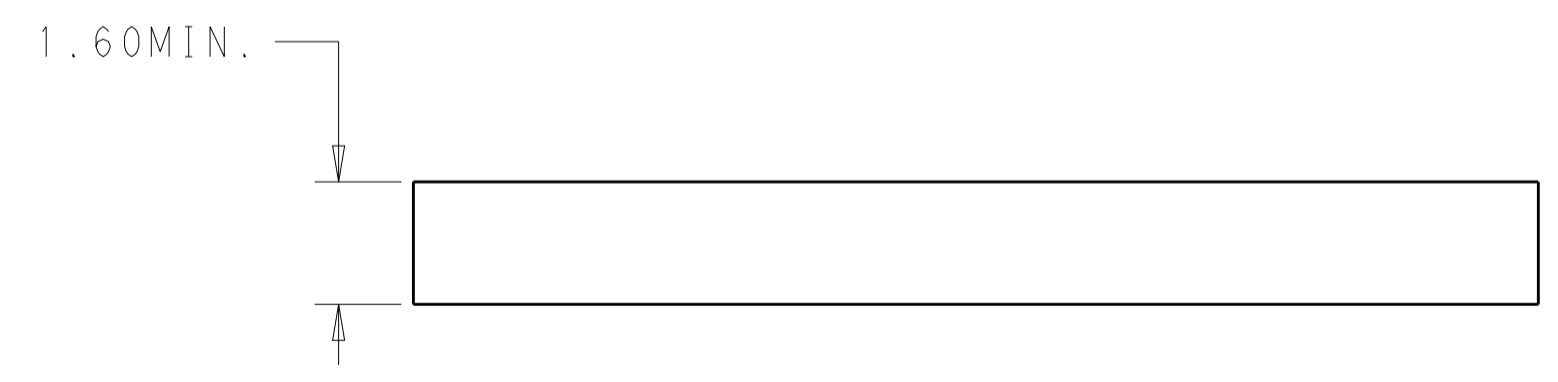
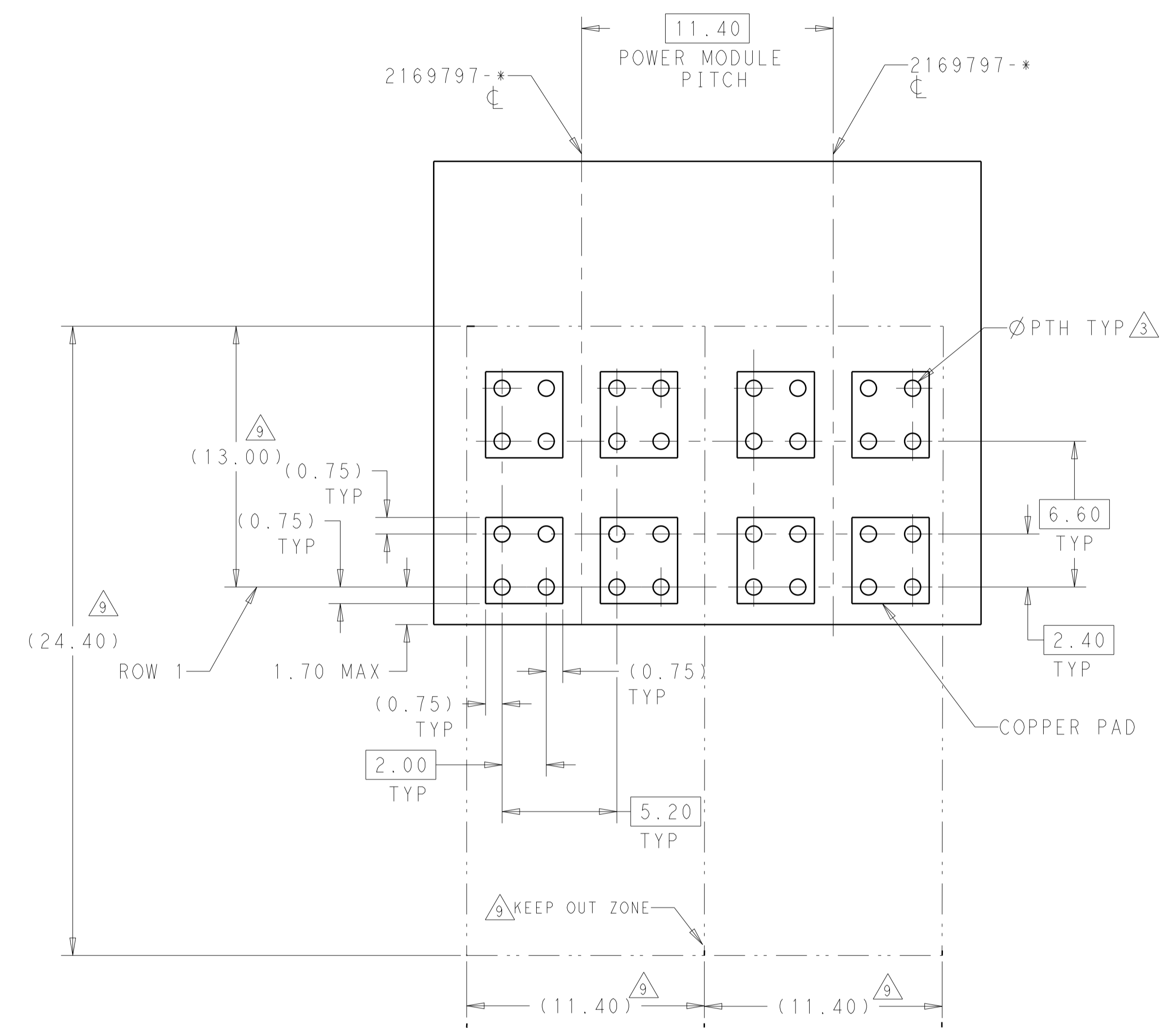
TE Connectivity
 ASSEMBLY
 IMPACT POWER 3PAIR R/A HEADER
 PRESS-FIT

SIZE: A1 CAGE CODE: 114-32028 DRAWING NO: 108-2473 APPLICATION SPEC: 114-32028 WEIGHT: CUSTOMER DRAWING
 SCALE: 8:1 SHEET 1 OF 2 REV B

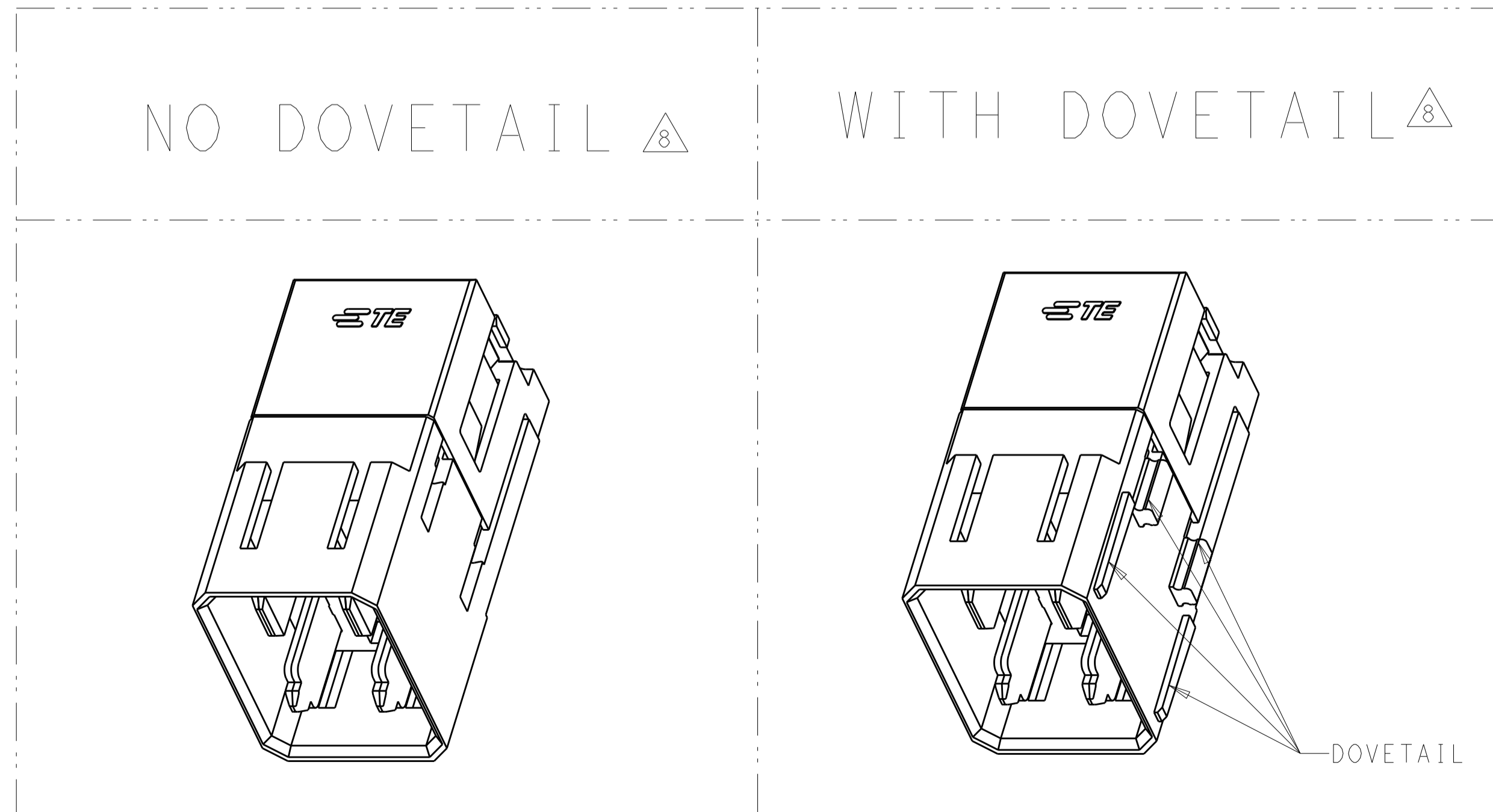
LOC		DIST		REVISIONS			
P	LTN	DESCRIPTION	DATE	DMN	APVD		
-	-	SEE SHEET 1	-	-	-		



CONNECTOR MATED WITH PCB



PCB LAYOUT FOR 3PAIR R/A HEADER POWER MODULE (COMPONENT SIDE SHOWN)



THIS DRAWING IS A CONTROLLED DOCUMENT.		DMN: LERRY_WANG 05MAY2011	TE Connectivity
DIMENSIONS: mm		CHK: SUNY_ZHAO 05MAY2011	
TOLERANCES UNLESS OTHERWISE SPECIFIED:		APVD: SUNY_ZHAO 05MAY2011	NAME: ASSEMBLY
0 PLC ±.2	1 PLC ±.25	PRODUCT SPEC: 108-2473	IMPACT POWER 3PAIR R/A HEADER
2 PLC ±.25	3 PLC ±.25	APPLICATION SPEC: 114-32028	PRESS-FIT
4 PLC ±.25	ANGLES ±.3	SIZE: A1	CAGE CODE: 100779
MATERIAL: -	FINISH: -	WEIGHT: -	DRAWING NO: C=2169797
CUSTOMER DRAWING		SCALE: 8:1	SHEET: 2 OF 2
		REV: B	

Mouser Electronics

Authorized Distributor

Click to View Pricing, Inventory, Delivery & Lifecycle Information:

[TE Connectivity:](#)

[2169797-4](#)