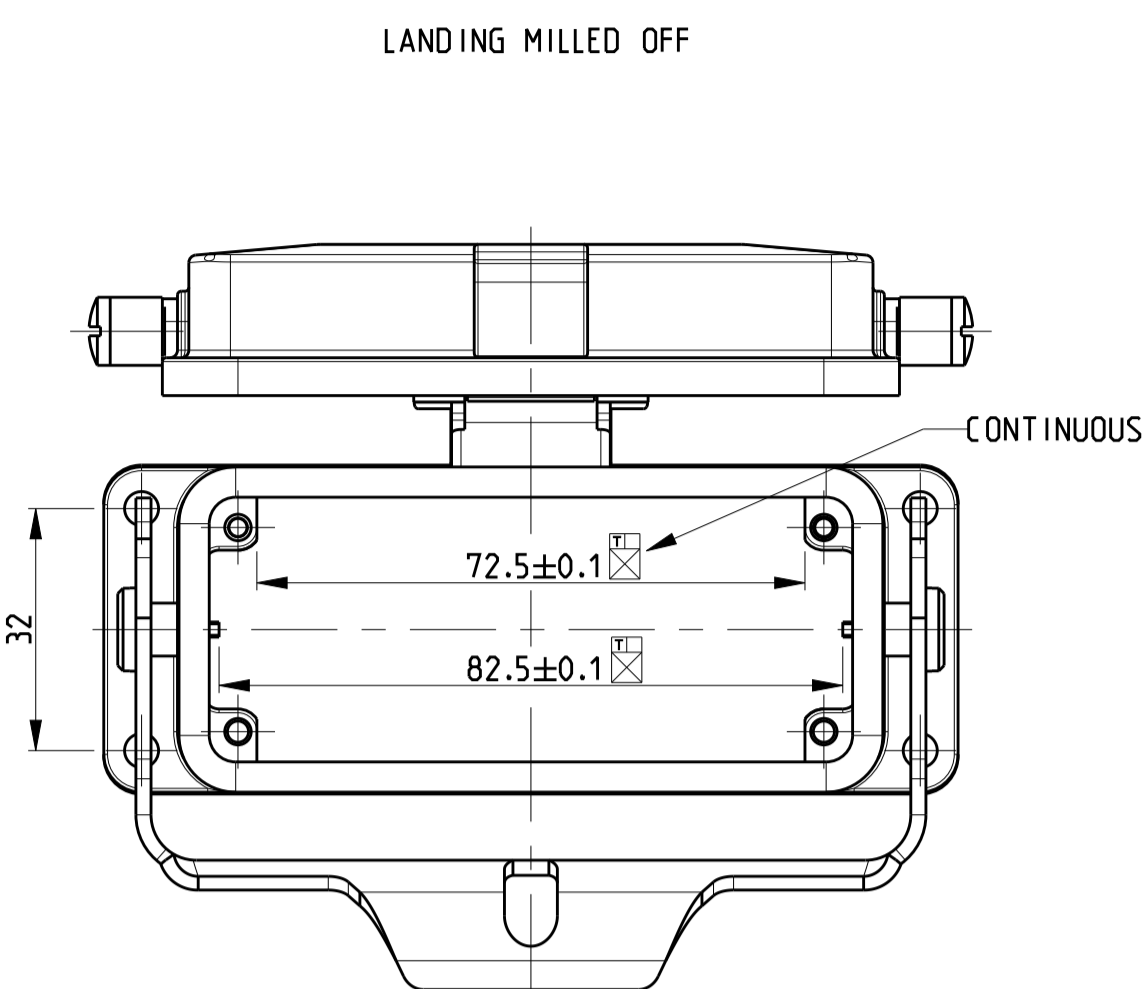
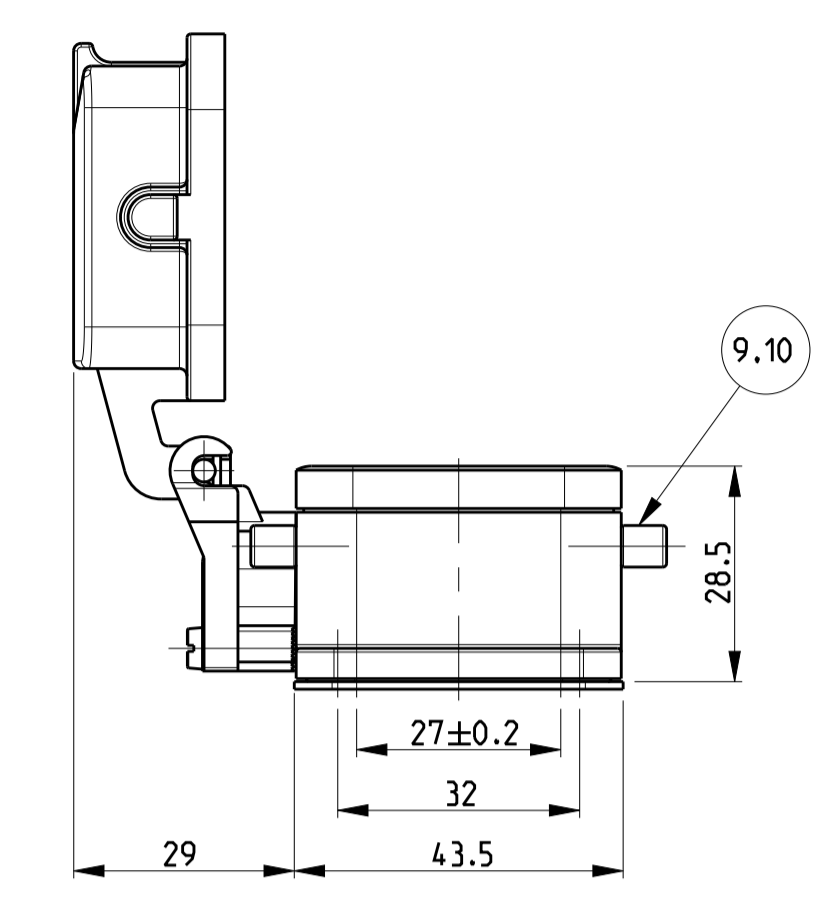
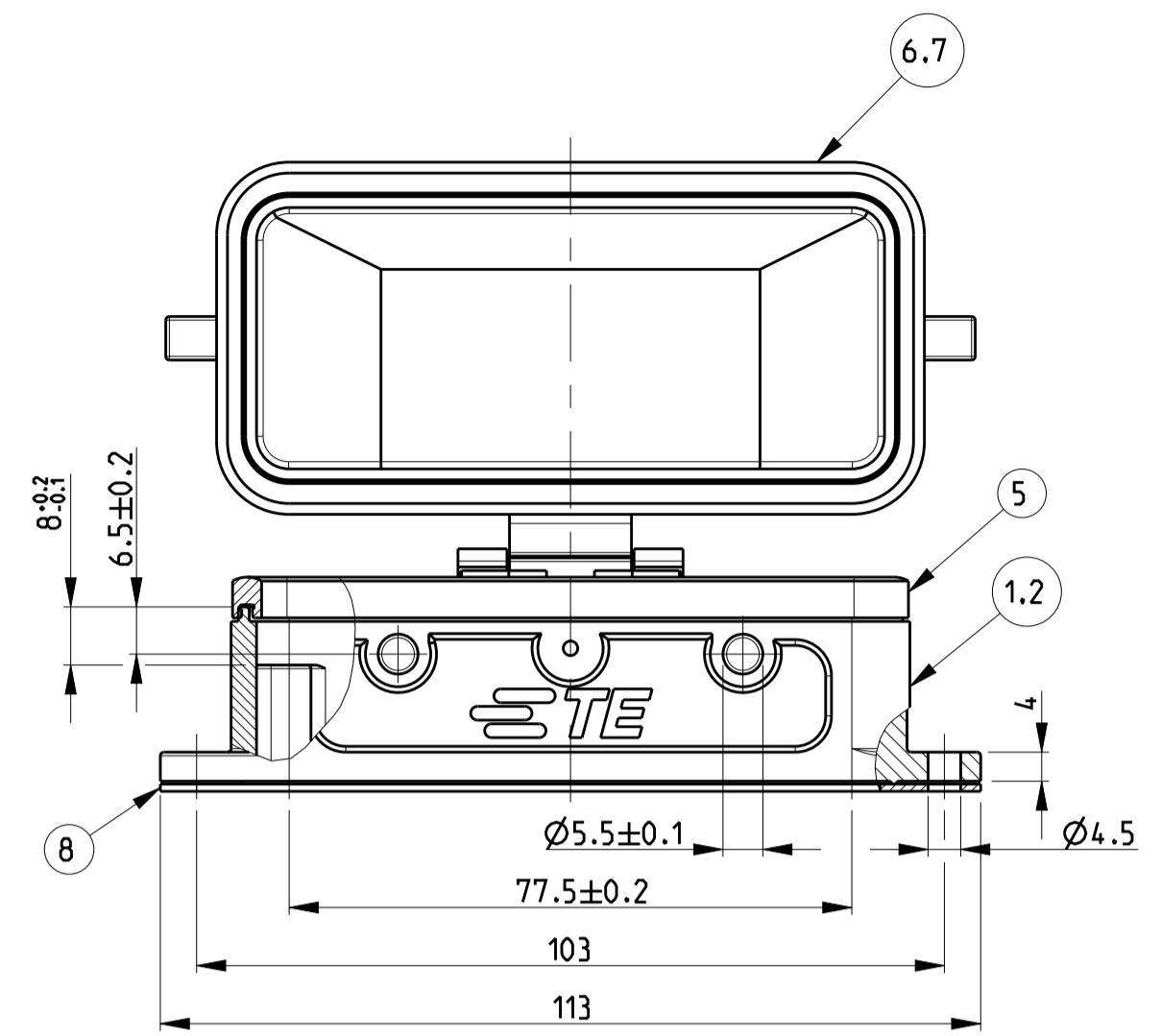


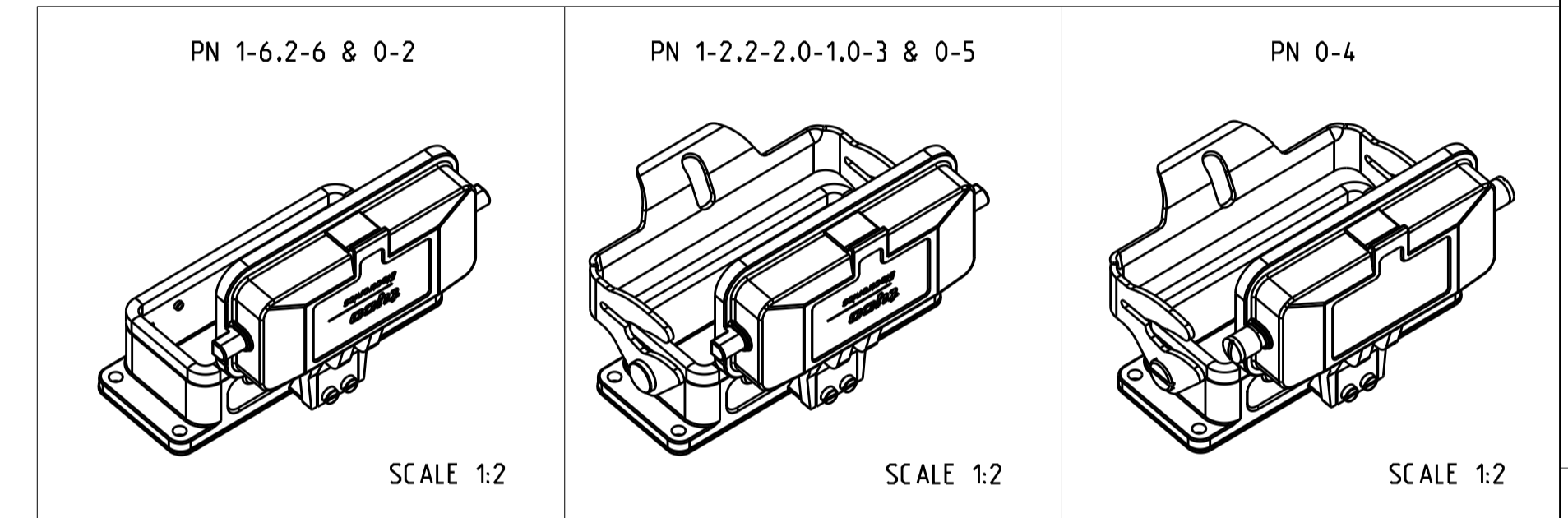
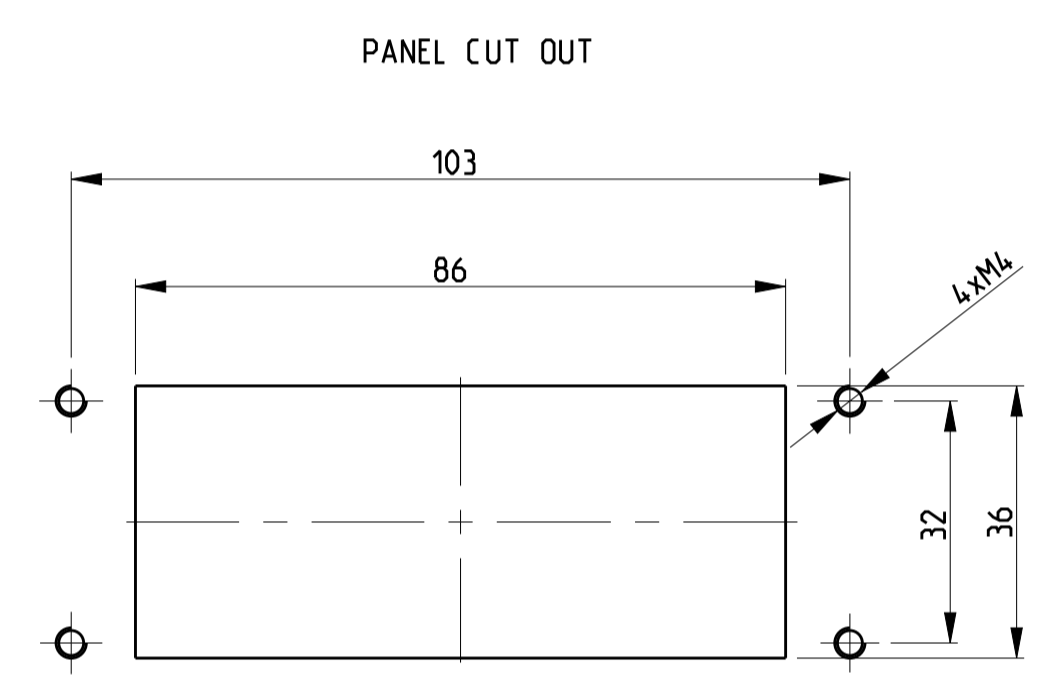
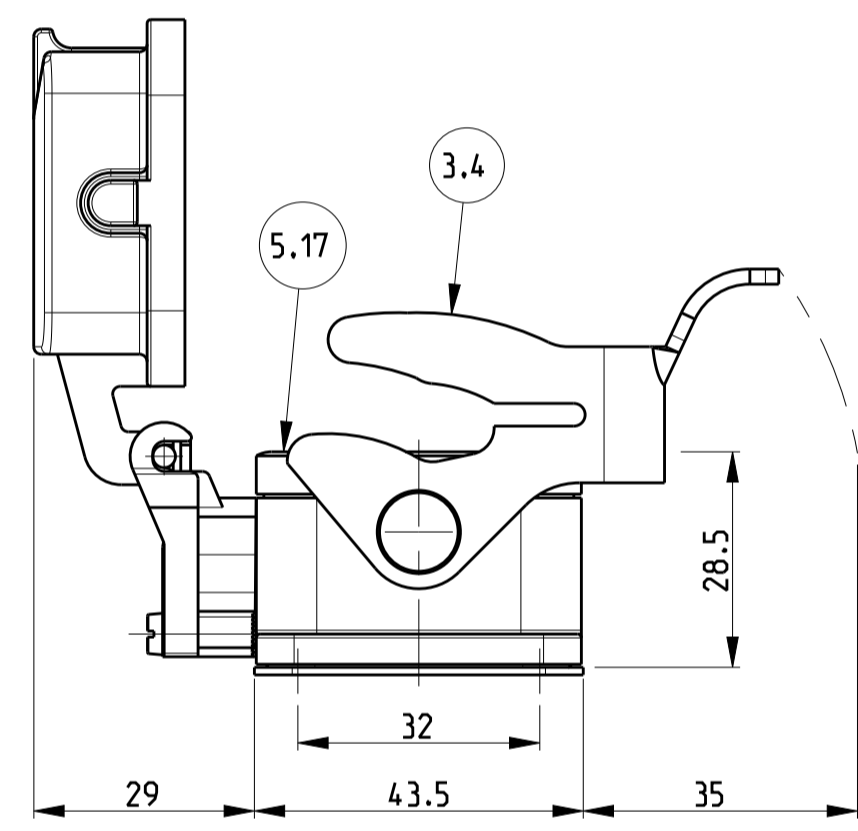
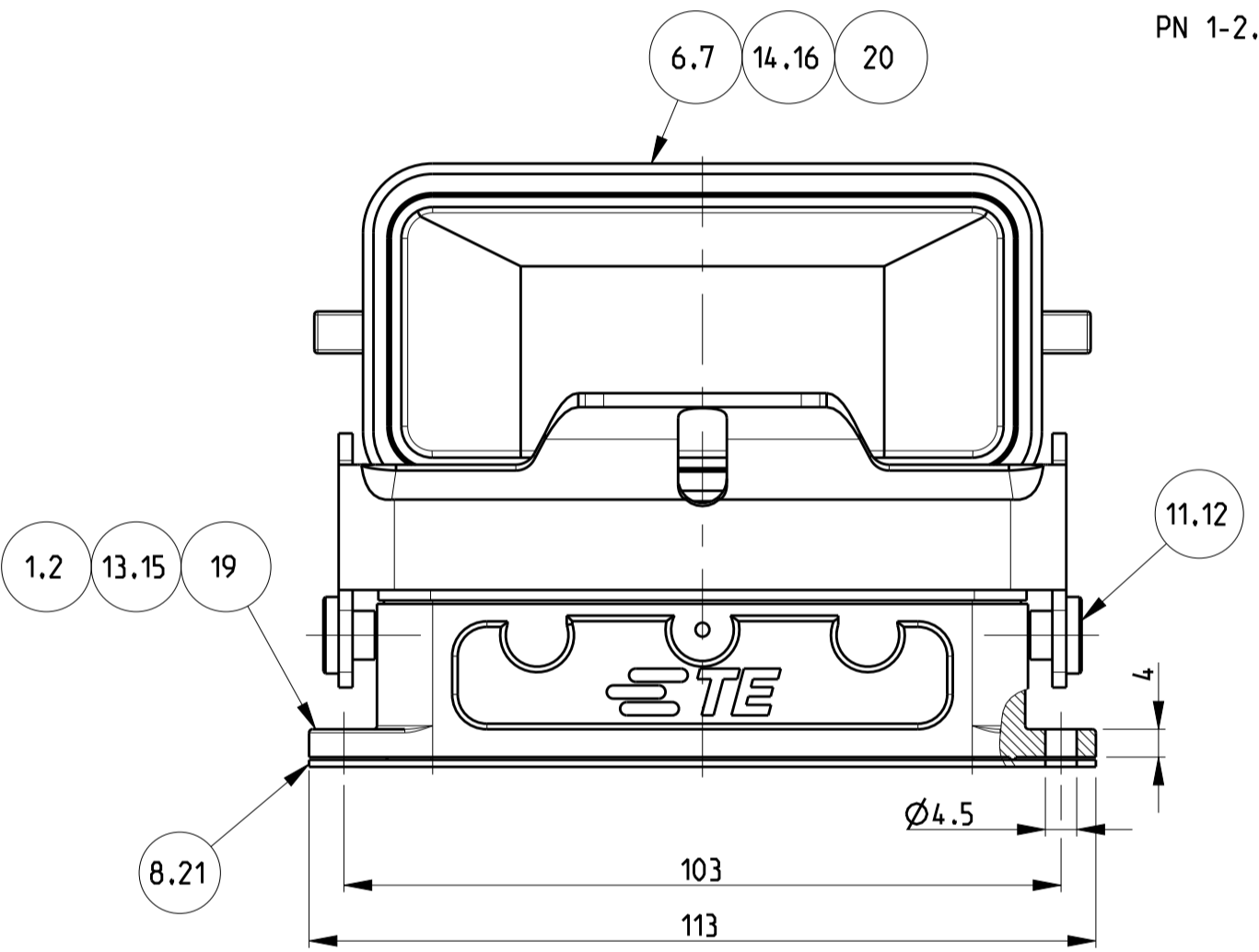
PN 1-6.2-6 & 0-2



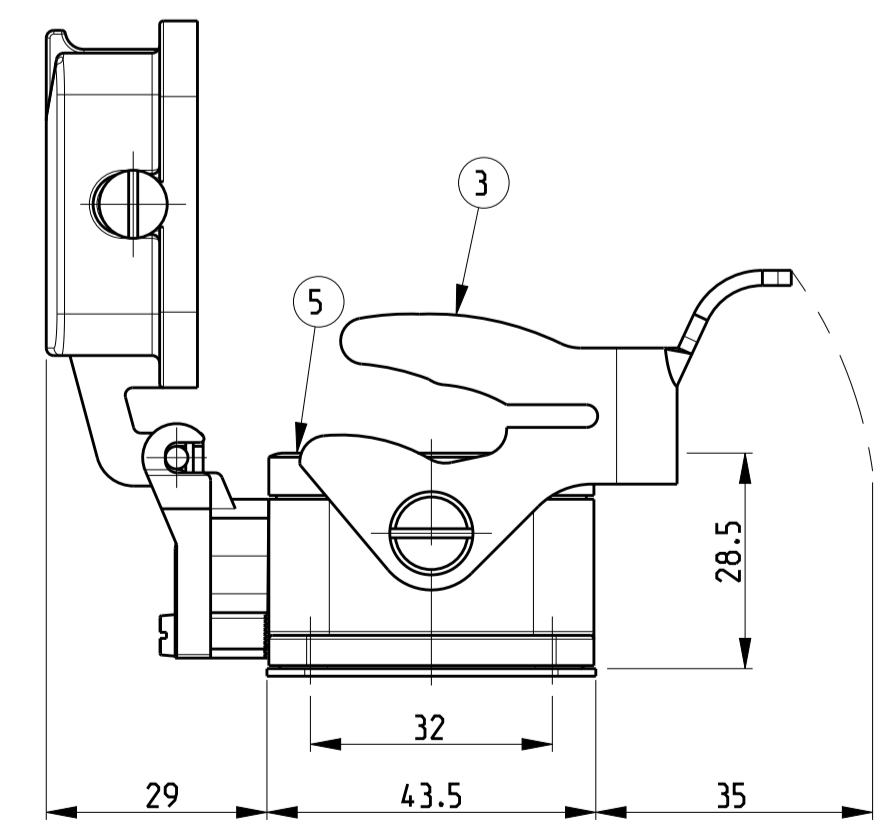
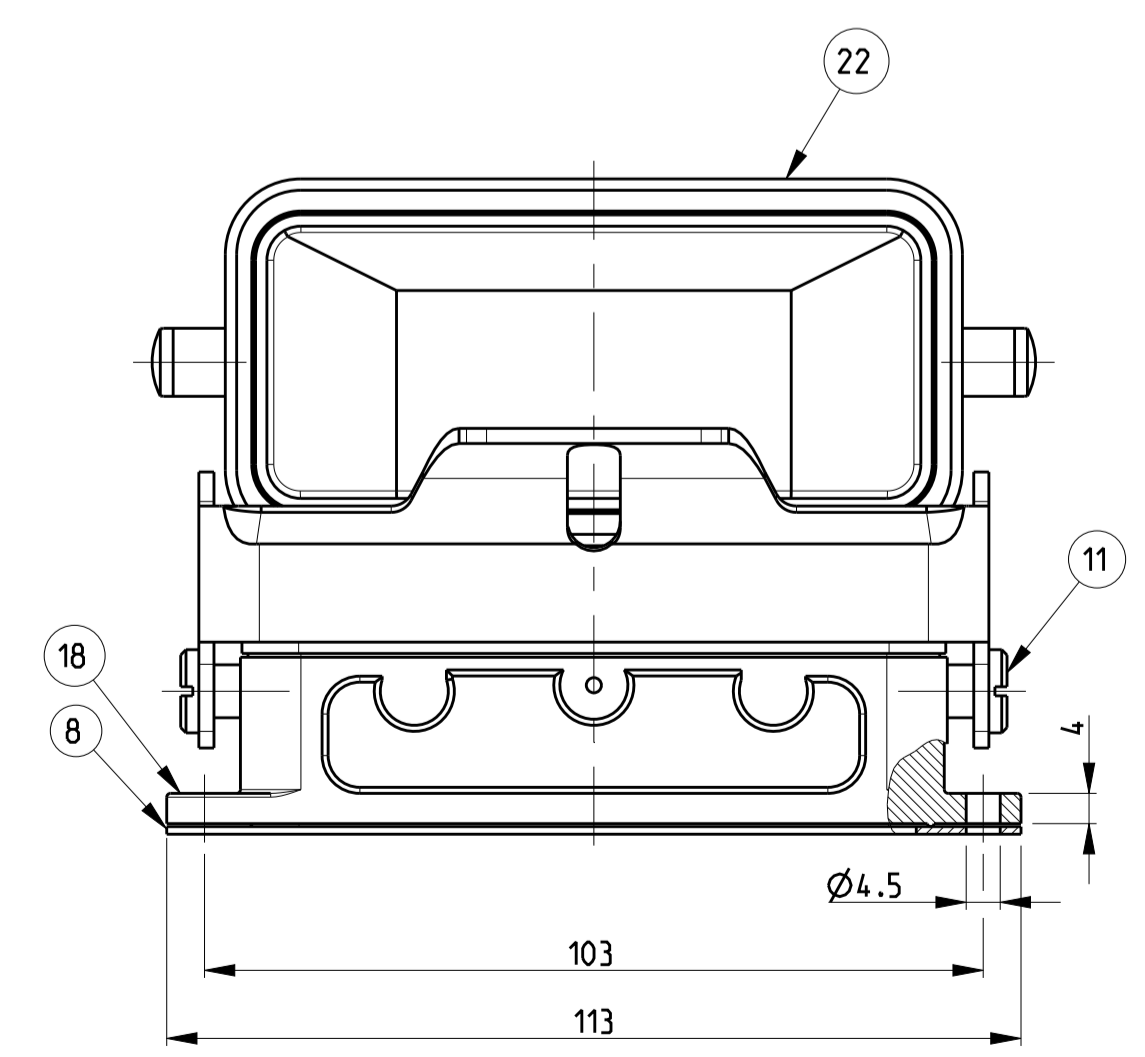
REVISIONS				
P	LTR	DESCRIPTION	DATE	APPV
B8		Released as per ECR-07-030430	17.12.07	SP TS
C		ECR-15-015728	19APR2016	GCM JB

- NOTES
- Material:Housing:Aluminium Diecasting Alloy  
Seals: Neoprene
  - Surface- Varnish -Grey : Red  
-Aluminium Oxide +Varnish Black  
-Chromit AL TCP - passivation
  - Varnish on the inside not necessary
  - Packaging Quantity 5 Pieces in a box
  - Special Packaging Quantity 50 pieces in a kan ban box

PN 1-2.2-2.0-1.0-3 & 0-5



PN 0-4



QTY	REF	DESCRIPTION	MATERIAL	SURFACE	COLOR	ITEM NO	REMARKS
1	1	Cover HB	Aluminium		Grey	22	Neutral
1	1	Flange Seal	Neoprene		Black	21	Conductive
1		Cover HB-EMV	Aluminium	SEE NOTE 2	Black	20	
1		Surface mounted housing bottom entry HB-EMV	Aluminium	SEE NOTE 2	Black	19	
1	1	Surface mounted housing bottom entry HB	Aluminium		Grey	18	Neutral
1	1	Profile Seal	Neoprene		Black	17	Conductive
1	1	Cover HB-EMV	Aluminium	SEE NOTE 2	Without varnish	16	
1	1	Surface mounted housing bottom entry HB-EMV	Aluminium	SEE NOTE 2	Without varnish	15	
	1	Cover HB	Aluminium		Red	14	
	1	Surface mounted housing bottom entry HB	Aluminium		Red	13	
2	2	LB-Clip Positioner	Stainless Steel	Blank		12	
2	2	LB-Clip Positioner	Steel	Zinc Plated	Blue	11	
	4	VS-Clip Bolt	Stainless Steel	Blank		10	
	4	VS-Clip Bolt	Steel	Zinc Plated	Blue	9	
1	1	Flange Seal	Neoprene		Black	8	
	1	Cover HB-K	Aluminium	Aluminium Oxide	Black	7	
	1	Cover HB	Aluminium		Grey	6	
1	1	Profile Seal	Neoprene		Black	5	
1	1	LB-Side Clip	Stainless Steel	Blank		4	
1	1	LB-Side Clip	Steel	Zinc Plated	Blue	3	
	1	Surface mounted housing bottom entry HB-K	Aluminium	Aluminium Oxide	Black	2	
	1	Surface mounted housing bottom entry HB	Aluminium		Grey	1	

THIS DRAWING IS A CONTROLLED DOCUMENT. DWN Schneider 13.04.2000  
CHK Schweiger 13.04.2000

TE Connectivity

NAME Surface Mounted Housing Bottom Entry HB.16.AGD

PRODUCT SPEC  
APPLICATION SPEC

SIZE A1 CAGE CODE 00779 DRAWING NO C=1102305

RESTRICTED TO

CUSTOMER DRAWING SCALE 1:1 SHEET 1 OF 1 REV C