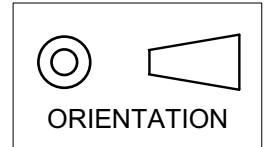
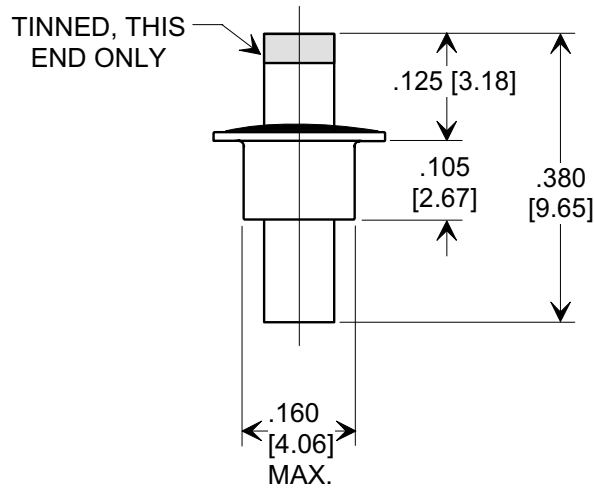
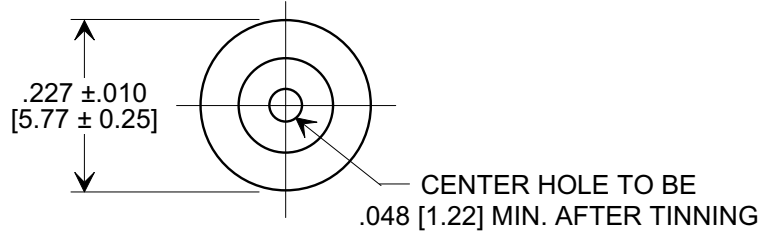
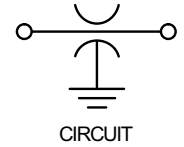


This drawing is the property of Tusonix, Inc., and may not be used, reproduced, published or disclosed to others without expressed authorization by Tusonix Inc.

MARKETING SALES DRAWING
DIMENSIONS IN INCHES - DO NOT SCALE THIS DRAWING
DIMENSIONS IN METRIC - []



Electrical Testing
per Tusonix standard
test plans and Mil-Std-202
Test Methods.



NOTES:

1. TUSONIX STANDARD PART NUMBER: 2404-014-X5U0-102P. TUSONIX RoHS COMPLIANT PART NUMBER: 2404-014-X5U0-102P LF. CUSTOMER MUST SPECIFY STANDARD OR RoHS PART NUMBER WHEN ORDERING.
2. EYELET FINISH: STANDARD PART -60/40 SOLDER PLATED, RoHS PART - SILVER PLATED.
3. PART MARKING: STANDARD PART - 3 DOT COLOR CODE, RoHS PART- ADDITIONAL GREEN DOT IDENTIFIER.

SPECIFICATIONS

Style No.:	2404-014
Capacitance:	1000 pF
Tolerance:	+100 / -0%
Temp. Coef.:	X5U
Operating Temp.:	-55°C TO + 85°C
Voltage Rating:	500 VDC

REVISION RECORD Original Release C.O. ECO-659	A	--TOLERANCES-- Unless Otherwise Specified	Title FEED - THRU CAPACITOR	
	DECIMAL ± .015 [0.38]			
	ANGLES ±	Drawn L.E. 04-14-09	Scale 4 X	
	TUSONIX TUCSON, ARIZONA	Approved R.L. 04-14-09	A 2404-014-X5U0-102P	

Mouser Electronics

Authorized Distributor

Click to View Pricing, Inventory, Delivery & Lifecycle Information:

[Tusonix / CTS:](#)

[2404-014-X5U0-102PLF](#)