

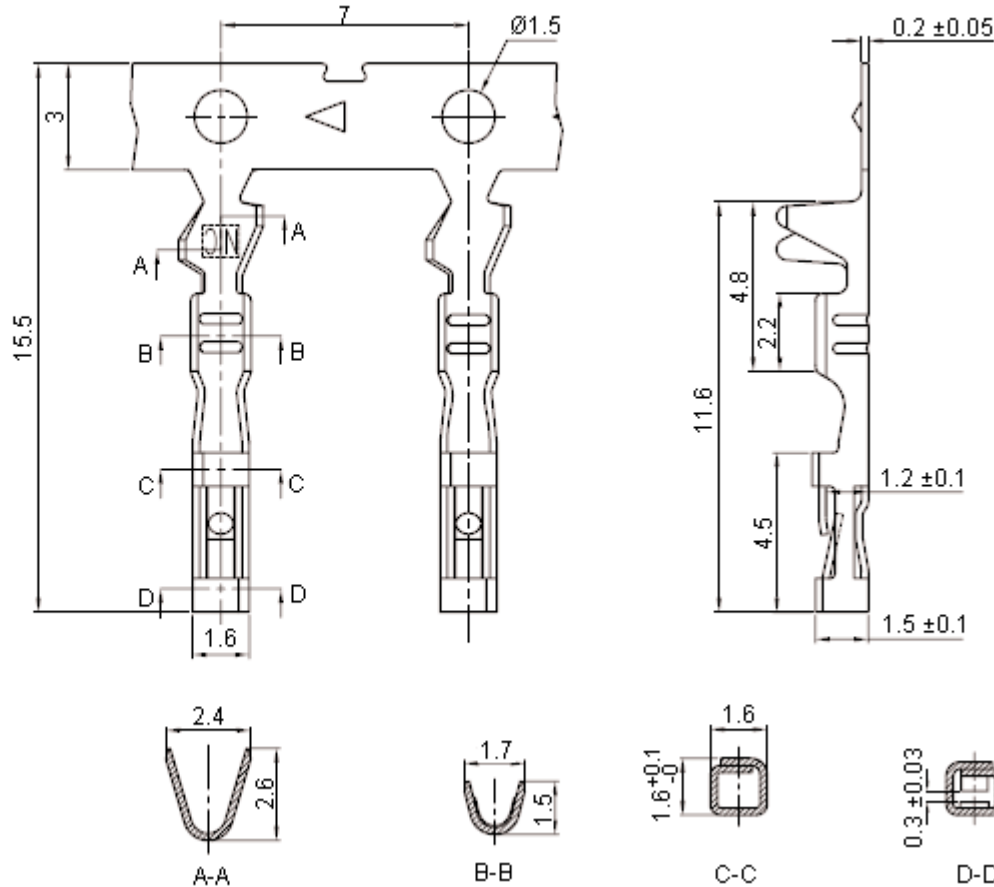
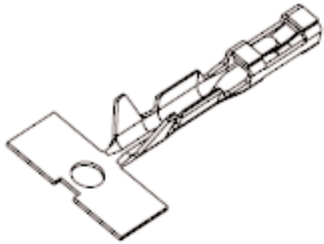


PART NO.

2226TG

REVISIONS

ECN #	REV	DESCRIPTION	DRAWN	DATE	CHECKD	DATE	APPRVD	DATE
-	A	RELEASED	SID	02/5/12	AMU	02/5/12		16/5/12



Dimensions : Millimetres

Tolerance:

- .X = ±0.2
- .XX = ±0.15

**Important Notice :** This data sheet and its contents (the "Information") belong to the members of the Premier Farnell group of companies (the "Group") or are licensed to it. No licence is granted for the use of it other than for information purposes in connection with the products to which it relates. No licence of any intellectual property rights is granted. The Information is subject to change without notice and replaces all data sheets previously supplied. The Information supplied is believed to be accurate but the Group assumes no responsibility for its accuracy or completeness, any error in or omission from it or for any use made of it. Users of this data sheet should check for themselves the information and the suitability of the products for their purpose and not make any assumptions based on information included or omitted. Liability for loss or damage resulting from any reliance on the Information or use of it (including liability resulting from negligence or where the Group was aware of the possibility of such loss or damage arising) is excluded. This will not operate to limit or restrict the Group's liability for death or personal injury resulting from its negligence. Multicomp is the registered trademark of the Group. © Premier Farnell plc 2012.

<b>TOLERANCES:</b>  UNLESS OTHERWISE SPECIFIED, DIMENSIONS ARE FOR REFERENCE PURPOSES ONLY.	<b>DRAWN BY:</b> SID	<b>DATE:</b> 02/05/12	<b>DRAWING TITLE:</b>  <b>2.54 mm Wire to Board Crimp Terminal</b>			
	<b>CHECKED BY:</b> AMU	<b>DATE:</b> 02/05/12	<b>SIZE</b> A	<b>DWG NO.</b> M10002779	<b>ELECTRONIC FILE</b> 1448953_DWG	<b>REV</b> A
	<b>APPROVED BY:</b>	<b>DATE:</b> 16/05/12	<b>SCALE:</b> NTS	<b>U.O.M.:</b> mm	<b>SHEET:</b> 1 OF 2	



PART NO.

2226TG

REVISIONS

ECN #	REV	DESCRIPTION	DRAWN	DATE	CHECKD	DATE	APPRVD	DATE
-	A	RELEASED	SID	02/5/12	AMU	02/5/12		16/5/12

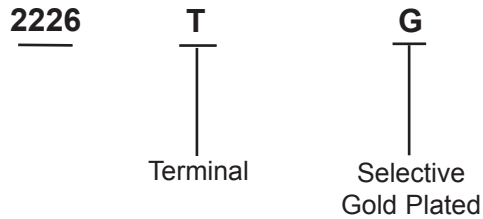
Specifications:

Current Rating : 3 A ac / dc  
 Voltage Rating : 250 V ac / dc  
 Maximum Contact Resistance : 15 mΩ  
 Withstanding Voltage : 600 V ac / minute  
 Operating Temperature Range : -25°C to +105°C  
 Application Wires : #26 to #30 AWG  
 Insulation Outer Diameter : Ø0.9 - 1.5 mm  
 Mates With 2226 series housing  
 Mates and Finish : Brass  
 Contact : Brass  
 Finish : Tin or selective gold plated

Part Number Table

Description	Part Number
Crimp Terminal, 24-28 AWG	2226TG

Part Number Explanation:



**Terminal** : T : Terminal  
**Selective Gold Plated** : G : Selective Gold Plated

www.element14.com  
 www.farnell.com  
 www.newark.com

Important Notice : This data sheet and its contents (the "Information") belong to the members of the Premier Farnell group of companies (the "Group") or are licensed to it. No licence is granted for the use of it other than for information purposes in connection with the products to which it relates. No licence of any intellectual property rights is granted. The Information is subject to change without notice and replaces all data sheets previously supplied. The Information supplied is believed to be accurate but the Group assumes no responsibility for its accuracy or completeness, any error in or omission from it or for any use made of it. Users of this data sheet should check for themselves the information and the suitability of the products for their purpose and not make any assumptions based on information included or omitted. Liability for loss or damage resulting from any reliance on the Information or use of it (including liability resulting from negligence or where the Group was aware of the possibility of such loss or damage arising) is excluded. This will not operate to limit or restrict the Group's liability for death or personal injury resulting from its negligence. Multicomp is the registered trademark of the Group. © Premier Farnell plc 2012.

<b>TOLERANCES:</b>  <b>UNLESS OTHERWISE SPECIFIED, DIMENSIONS ARE FOR REFERENCE PURPOSES ONLY.</b>	<b>DRAWN BY:</b>	<b>DATE:</b>	<b>DRAWING TITLE:</b>  <b>2.54 mm Wire to Board Crimp Terminal</b>			
	SID	02/05/12				
	<b>CHECKED BY:</b>	<b>DATE:</b>	<b>SIZE</b> <b>A</b>	<b>DWG NO.</b>  <b>M10002779</b>	<b>ELECTRONIC FILE</b>  <b>1448953_DWG</b>	<b>REV</b>  <b>A</b>
	AMU	02/05/12				
	<b>APPROVED BY:</b>	<b>DATE:</b>	<b>SCALE: NTS</b>		<b>U.O.M.: mm</b>	
	16/05/12	<b>SHEET: 2 OF 2</b>				