

**Crimp, Series 109, Standard Density Connectors (MIL Qualified)**

**Material and Finish:**

**Shell** — Steel, cadmium plated

**Insert** — Approved material per MIL-DTL-24308

**Retention Clips** — Stainless steel

**Related Product Data:**

**Cavity Identification** — page 5101

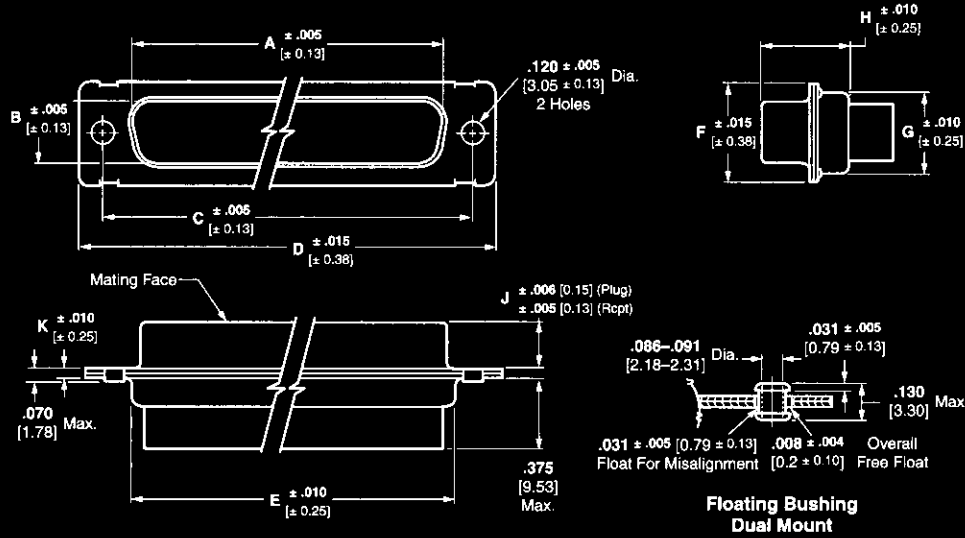
**Contacts** — pages 5102-5104

**Mounting, Mating Specifications** — page 5143

**Accessories** — pages 5148-5150

**Attention: Connector marking**

Connector marking may differ from package marking. All connectors marked per MIL-DTL-24308.



**Series 109 Plugs per MIL-DTL-24308**

| No. of Contact Pos. (Shell Size) | Dimensions     |              |                |                |                |               |               |               |              |              | Standard Mount            |              | Floating Bushing Mount    |              | Description    |
|----------------------------------|----------------|--------------|----------------|----------------|----------------|---------------|---------------|---------------|--------------|--------------|---------------------------|--------------|---------------------------|--------------|----------------|
|                                  | A (Inside)     | B (Inside)   | C              | D              | E              | F             | G             | H             | J            | K            | Military Part No. M24308/ | AMP Part No. | Military Part No. M24308/ | AMP Part No. |                |
| 9 (1)                            | .666<br>16.92  | .329<br>8.36 | .984<br>24.99  | 1.213<br>30.81 | .759<br>19.28  | .494<br>12.55 | .422<br>10.72 | .422<br>10.72 | .235<br>5.97 | .030<br>0.76 | 4-259F                    | 205162-1     | 4-324F                    | 205412-1     | Plug only      |
| 15 (2)                           | .994<br>25.25  | .329<br>8.36 | 1.312<br>33.32 | 1.541<br>39.14 | 1.083<br>27.51 | .494<br>12.55 | .422<br>10.72 | .422<br>10.72 | .235<br>5.97 | .030<br>0.76 | 4-260F                    | 205164-1     | 4-325F                    | 205408-1     | Plug only      |
| 25 (3)                           | 1.534<br>38.96 | .329<br>8.36 | 1.852<br>47.04 | 2.088<br>53.04 | 1.625<br>41.3  | .494<br>12.55 | .422<br>10.72 | .426<br>10.82 | .230<br>5.84 | .039<br>0.99 | 4-261F                    | 205166-1     | 4-326F                    | 205413-1     | Plug only      |
| 37 (4)                           | 2.182<br>55.42 | .329<br>8.36 | 2.500<br>63.5  | 2.729<br>69.32 | 2.272<br>57.71 | .494<br>12.55 | .422<br>10.72 | .426<br>10.82 | .230<br>5.84 | .039<br>0.99 | 4-262F                    | 205168-1     | 4-327F                    | 205414-1     | Plug only      |
| 50 (5)                           | 2.079<br>52.81 | .441<br>11.2 | 2.406<br>61.11 | 2.635<br>66.93 | 2.178<br>55.32 | .605<br>15.37 | .534<br>13.56 | .426<br>10.82 | .230<br>5.84 | .039<br>0.99 | 4-263F                    | 205170-1     | 4-328F                    | 205415-1     | Plug only      |
|                                  |                |              |                |                |                |               |               |               |              |              | 4-5F                      | 205564-2     | 4-306F                    | 205431-2     | Plug with pins |

**Series 109 Receptacles per MIL-DTL-24308**

| No. of Contact Pos. (Shell Size) | Dimensions     |               |                |                |                |               |               |              |              |              | Standard Mount            |              | Floating Bushing Mount    |              | Description          |
|----------------------------------|----------------|---------------|----------------|----------------|----------------|---------------|---------------|--------------|--------------|--------------|---------------------------|--------------|---------------------------|--------------|----------------------|
|                                  | A (Outside)    | B (Outside)   | C              | D              | E              | F             | G             | H            | J            | K            | Military Part No. M24308/ | AMP Part No. | Military Part No. M24308/ | AMP Part No. |                      |
| 9 (1)                            | .643<br>16.33  | .311<br>7.9   | .984<br>24.99  | 1.213<br>30.81 | .759<br>19.28  | .494<br>12.55 | .422<br>10.72 | .429<br>10.9 | .243<br>6.17 | .030<br>0.76 | 2-281F                    | 205161-1     | 2-292F                    | 205416-1     | Recept. only         |
| 15 (2)                           | .971<br>24.66  | .311<br>7.9   | 1.312<br>33.32 | 1.541<br>39.14 | 1.083<br>27.51 | .494<br>12.55 | .422<br>10.72 | .429<br>10.9 | .243<br>6.17 | .030<br>0.76 | 2-282F                    | 205163-1     | 2-293F                    | 205417-1     | Recept. only         |
| 25 (3)                           | 1.511<br>38.38 | .311<br>7.9   | 1.852<br>47.04 | 2.088<br>53.04 | 1.625<br>41.3  | .494<br>12.55 | .422<br>10.72 | .429<br>10.9 | .243<br>6.17 | .039<br>0.99 | 2-283F                    | 205165-1     | 2-294F                    | 205418-1     | Recept. only         |
| 37 (4)                           | 2.159<br>54.84 | .311<br>7.9   | 2.500<br>63.5  | 2.729<br>69.32 | 2.272<br>57.71 | .494<br>12.55 | .422<br>10.72 | .429<br>10.9 | .243<br>6.17 | .039<br>0.99 | 2-284F                    | 205167-1     | 2-295F                    | 205419-1     | Recept. only         |
| 50 (5)                           | 2.064<br>52.43 | .423<br>10.74 | 2.406<br>61.11 | 2.635<br>66.93 | 2.178<br>55.32 | .605<br>15.37 | .534<br>13.56 | .429<br>10.9 | .243<br>6.17 | .039<br>0.99 | 2-285F                    | 205169-1     | 2-296F                    | 205420-1     | Recept. only         |
|                                  |                |               |                |                |                |               |               |              |              |              | 2-5F                      | 205563-2     | 2-27F                     | 205432-2     | Recept. with sockets |

- Notes:**
- Size 20 contacts supplied with connectors are loose piece.
  - "F" is stamped on connectors following M24308 Part Number as required. "F" designates cadmium shell plating.
  - See pages 5151 through 5155 (Military to AMP Part Number cross reference) for additional part numbers.

Pin and Socket Connectors