

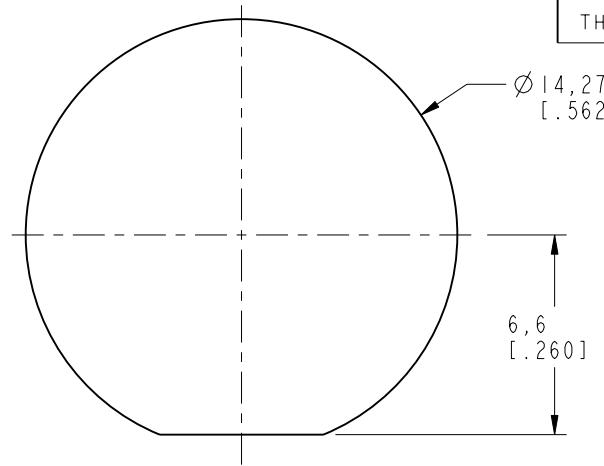
NOTES:

1. MATERIALS AND FINISHES (PLATING THICKNESS IN MICROINCHES):
 BODY - BRASS, NICKEL PLATING (100 MIN THICK)
 CONTACT - BeCu, SILVER PLATING (200 MIN THICK)
 INSULATOR - PTFE
2. ELECTRICAL:
 A. DIELECTRIC WITHSTANDING VOLTAGE: 1000 VRMS, MIN.
3. MECHANICAL:
 A. DURABILITY: 500 CYCLES MIN.
 B. TEMPERATURE RANGE: -65° C TO +165° C
4. PACKAGING:
 A. QUANTITY: SINGLE PACK
 B. MARKING: BAG TO BE MARKED
 "AMPHENOL, 27025, AND DATE CODE"

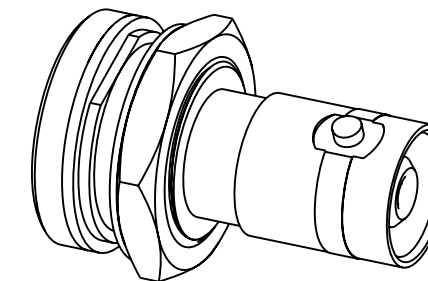
THIRD ANGLE PROJ.

REVISIONS

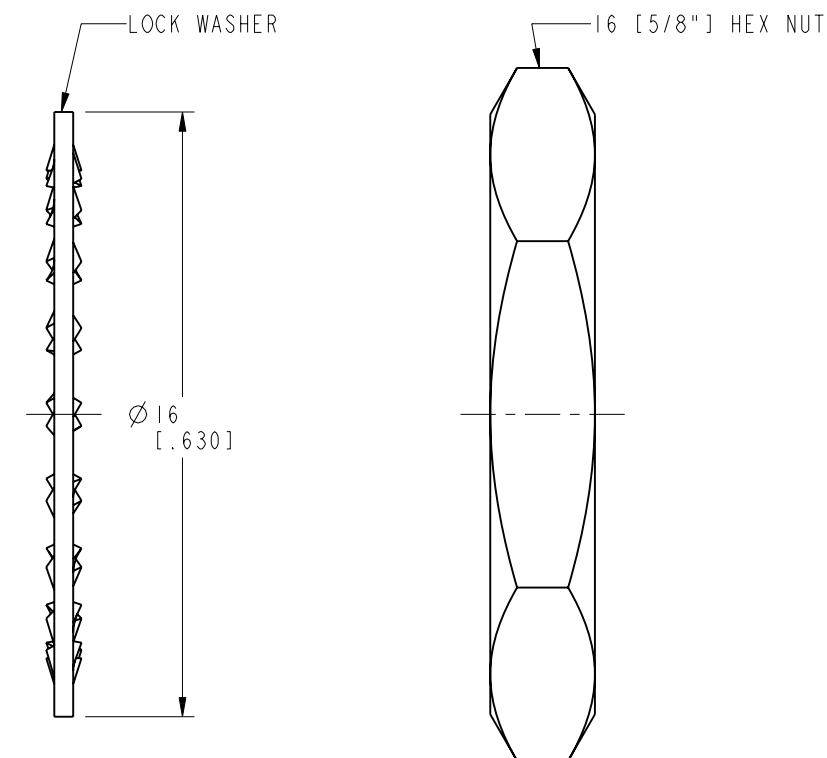
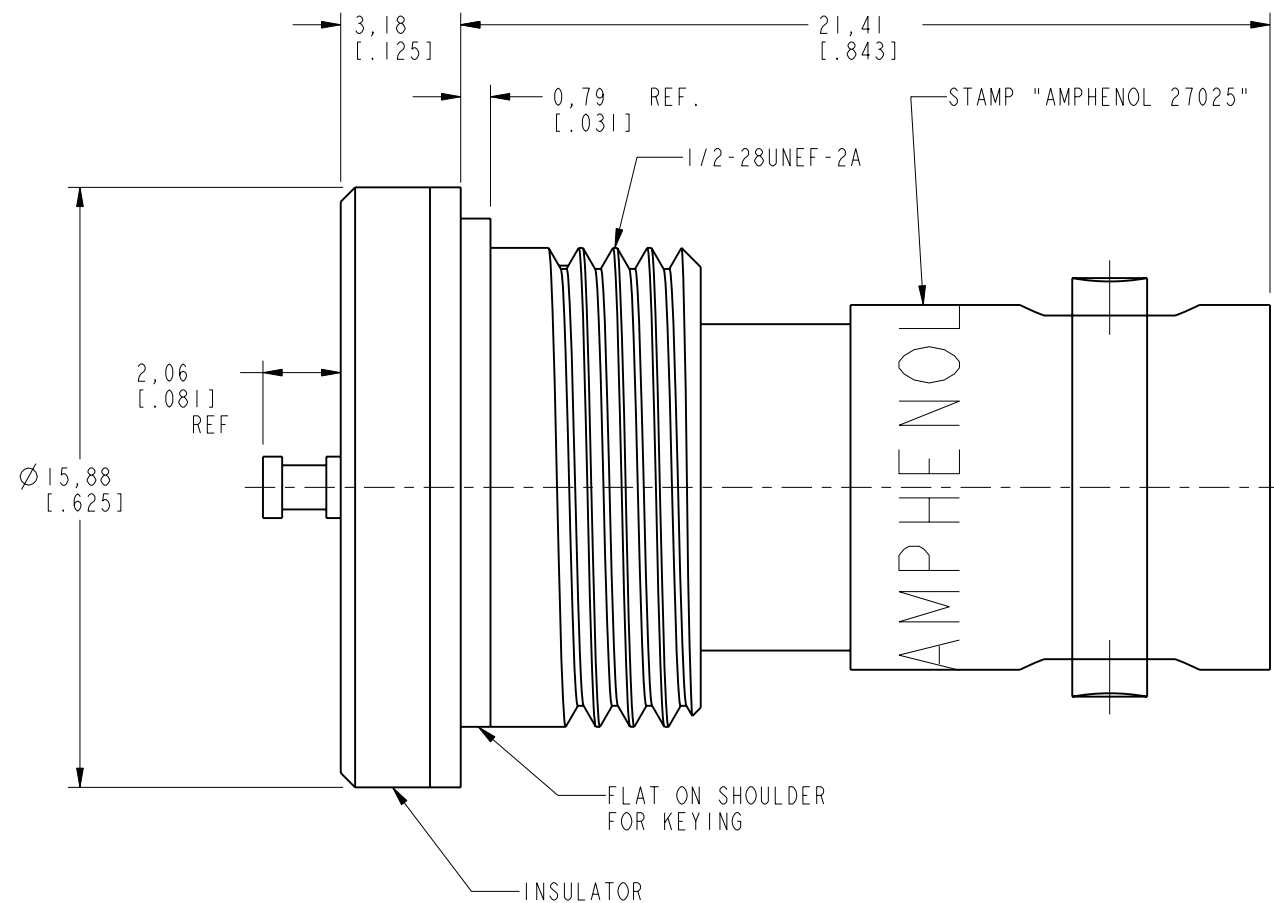
REV	DESCRIPTION	DATE	ECO	APPR
M	REDRAWN IN PRO-E & ADD COD\RD-DMI3102301R3	30-Oct-13	49679	RM



RECOMMENDED MOUNTING HOLE DIMENSIONS



SCALE 2.000



CUSTOMER OUTLINE DRAWING

ALL OTHER SHEETS ARE FOR INTERNAL USE ONLY

UNLESS OTHERWISE SPECIFIED, DIMENSIONS ARE IN INCHES AND TOLERANCES ARE: 2 PLACE DECIMAL 3 PLACE DECIMAL ANGLES ±.015 (0,381 mm) ±.005 (0,127 mm) ± 1°	MATERIAL	DRAWN	DATE	TITLE TEFLON INSULATOR MHV RECEPTACLE SINGLE HOLE MOUNT		Amphenol RF www.amphenolrf.com	
	SEE NOTES	R. MAO	30-Oct-13				
NOTICE - These drawings, specifications, or other data (1) are, and remain the property of Amphenol corp. (2) must be returned upon request; and (3) are confidential and not to be disclosed to any person other than those to whom they are given by Amphenol Corp. the furnishing of these drawings, specifications, or other data by Amphenol Corp., or to any other person for any purpose is not to be regarded by implication or otherwise in any manner licensing, granting rights to permitting such holder or any other person to manufacture, use or sell any product, process or design, patented or otherwise, that may in any way be related to or disclosed by said drawings, specifications, or other data.	REFERENCE	ENGINEER	DATE	SCALE: 5.0:1.0 SHEET 2 OF 2		DRAWING NO. 27025	
	EAR # 5861	S. LI	30-Oct-13				
	CONFIGURATION LEVEL: □□□□	APPROVED	DATE		DWG SIZE B REV M		ITEM NO. 27025 PART NO. 27025
FINISH	S. HSIEH	30-Oct-13	CAD FILE				

Mouser Electronics

Authorized Distributor

Click to View Pricing, Inventory, Delivery & Lifecycle Information:

[Amphenol:](#)

[27025](#)