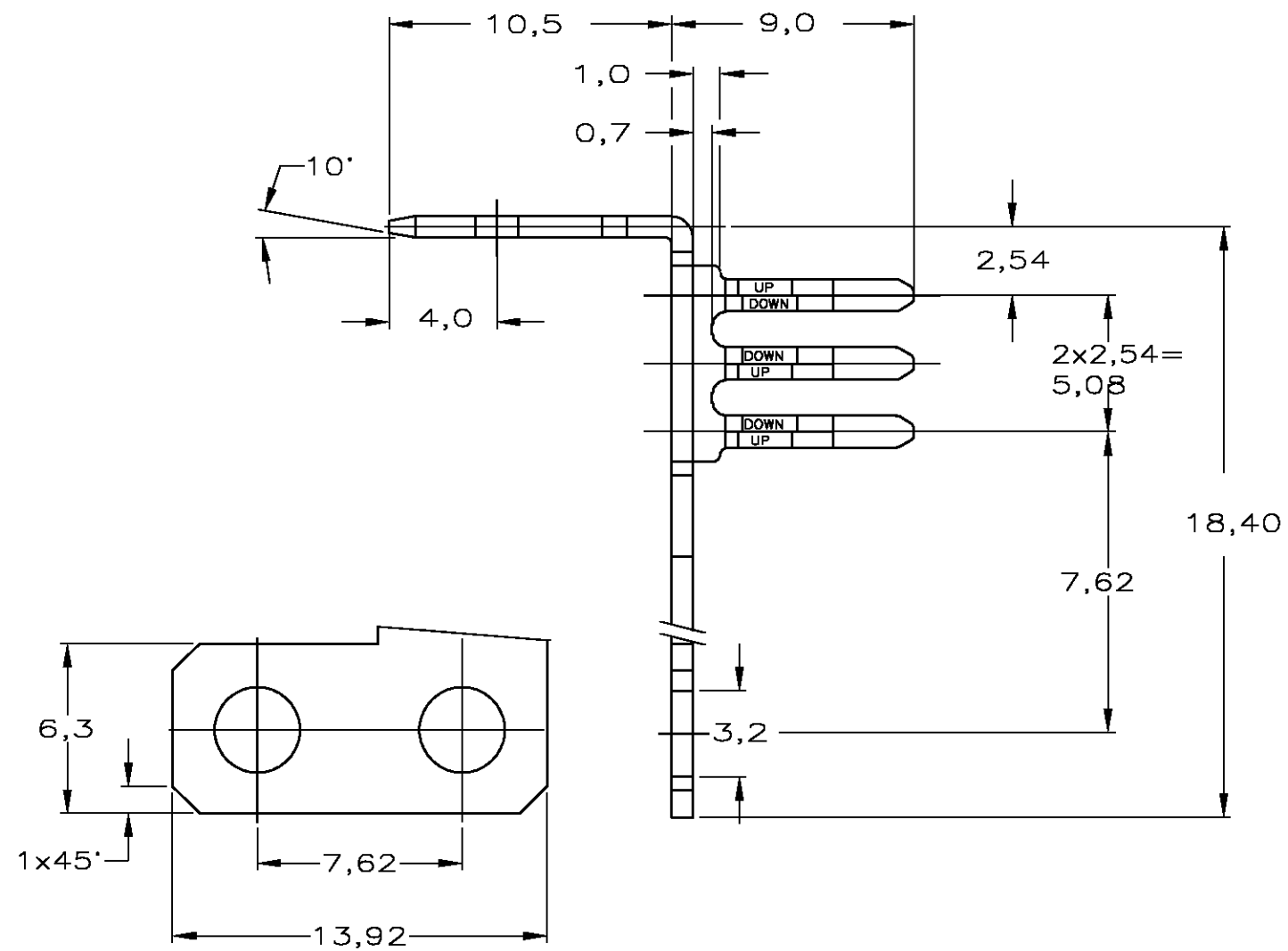


THIS DRAWING IS UNPUBLISHED. RELEASED FOR PUBLICATION  
 © COPYRIGHT BY TYCO ELECTRONICS CORPORATION. ALL RIGHTS RESERVED.

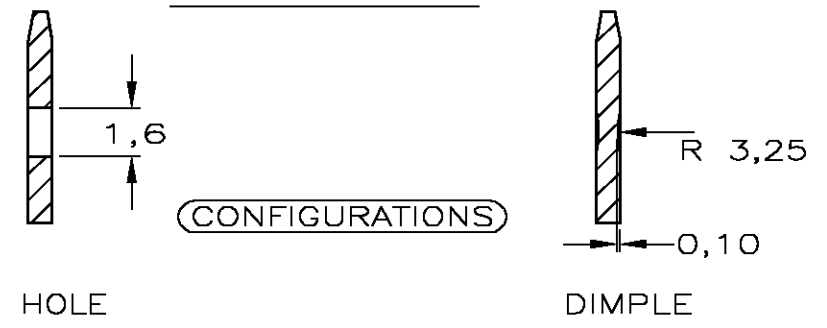
LOC	DIST	REVISIONS					
		P	LTR	DESCRIPTION	DATE	DWN	APVD
H	-		D	ECR-05-006211	13JUL05	CJF	JB



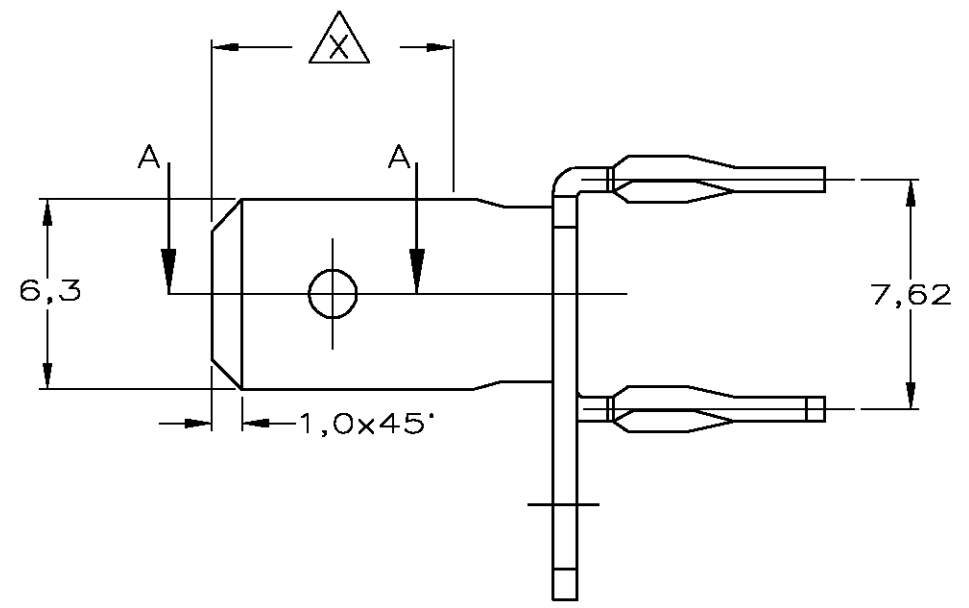
NOTES:

- ① PHOSPHORBRONZE.
- ② PLATING : AREA ③ Sn PLATE TO ASTM B 545. NI UNDERCOAT TO ASTM B 571 ALL OVER
- ③ PLATING : Sn PLATE TO ASTM B 545 AND NI UNDERCOAT TO ASTM B 571 ALL OVER
- ④ QUANTITY PER PACKAGE 2000 PCS.

SECTION A-A



DIMPLE	④②	①	1-215511-2
HOLE	②	①	215511-7
HOLE	③	①	215511-6
-			-
DIMPLE	③	①	215511-3
DIMPLE	②	①	215511-2
CONFIGURATION	FINISH	MATERIAL	PARTNUMBER



THIS DRAWING IS A CONTROLLED DOCUMENT.

DIMENSIONS: MM	TOLERANCES UNLESS OTHERWISE SPECIFIED:	DWN S.Meeuwen 15JAN93	<b>tyco Electronics</b> Tyco Electronics Corporation s-HertogenBosch, Nederland,
	0 PLC ±-	CHK R.v.Lokven 22JAN93	
MATERIAL	FINISH	APVD L.v.Soest 26JAN93	NAME
		PRODUCT SPEC 108-19059	6 POS. POWER LINKING TERMINAL WITH ACTION PIN (LEFT HANDED VERSION)
		APPLICATION SPEC	SIZE CAGE CODE DRAWING NO RESTRICTED TO
		WEIGHT	A3 00779 C-215511
		CUSTOMER DRAWING	SCALE 4:1 SHEET 1 OF 1 REV D

# Mouser Electronics

Authorized Distributor

Click to View Pricing, Inventory, Delivery & Lifecycle Information:

[TE Connectivity:](#)

[215511-2](#)