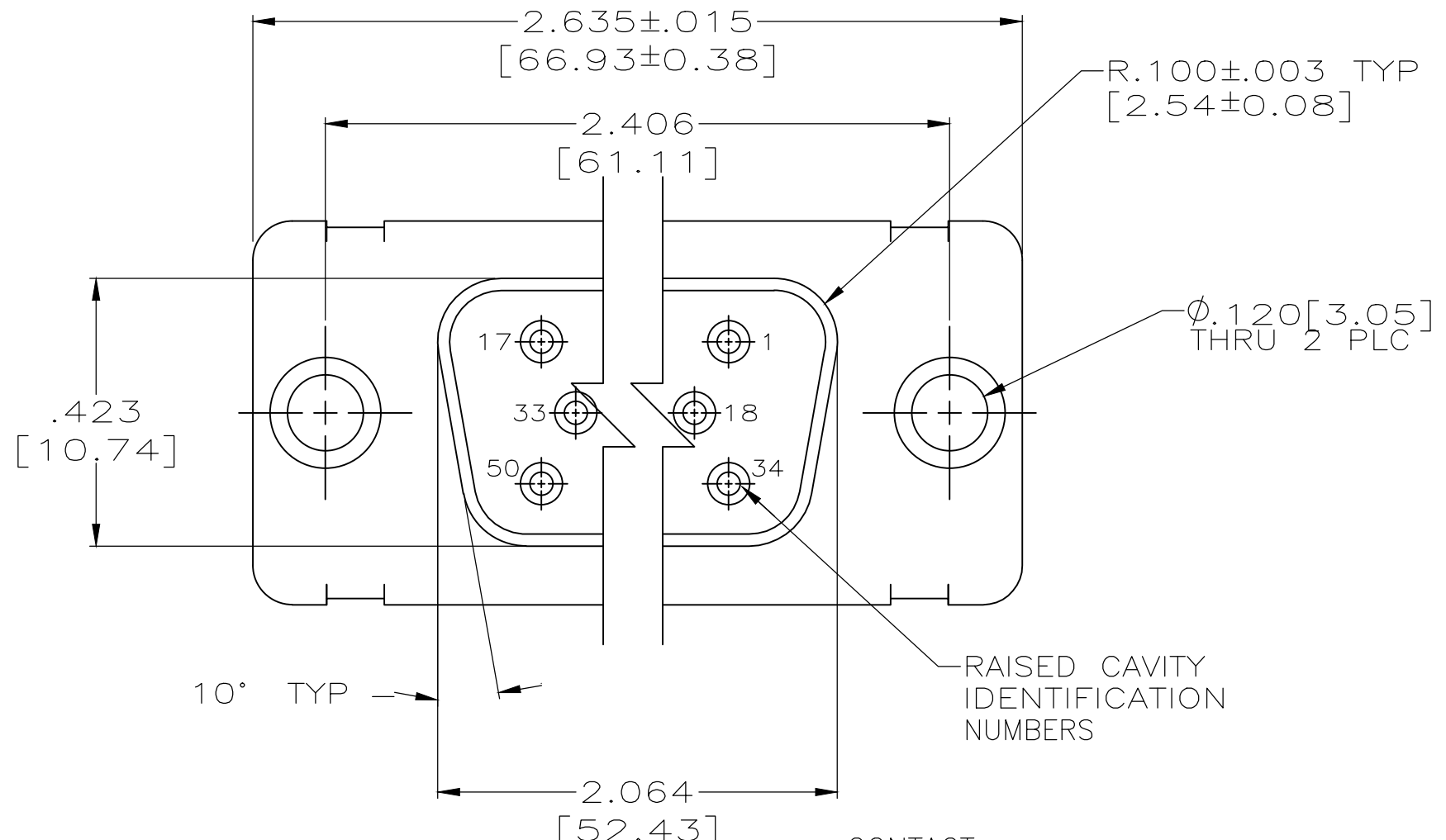
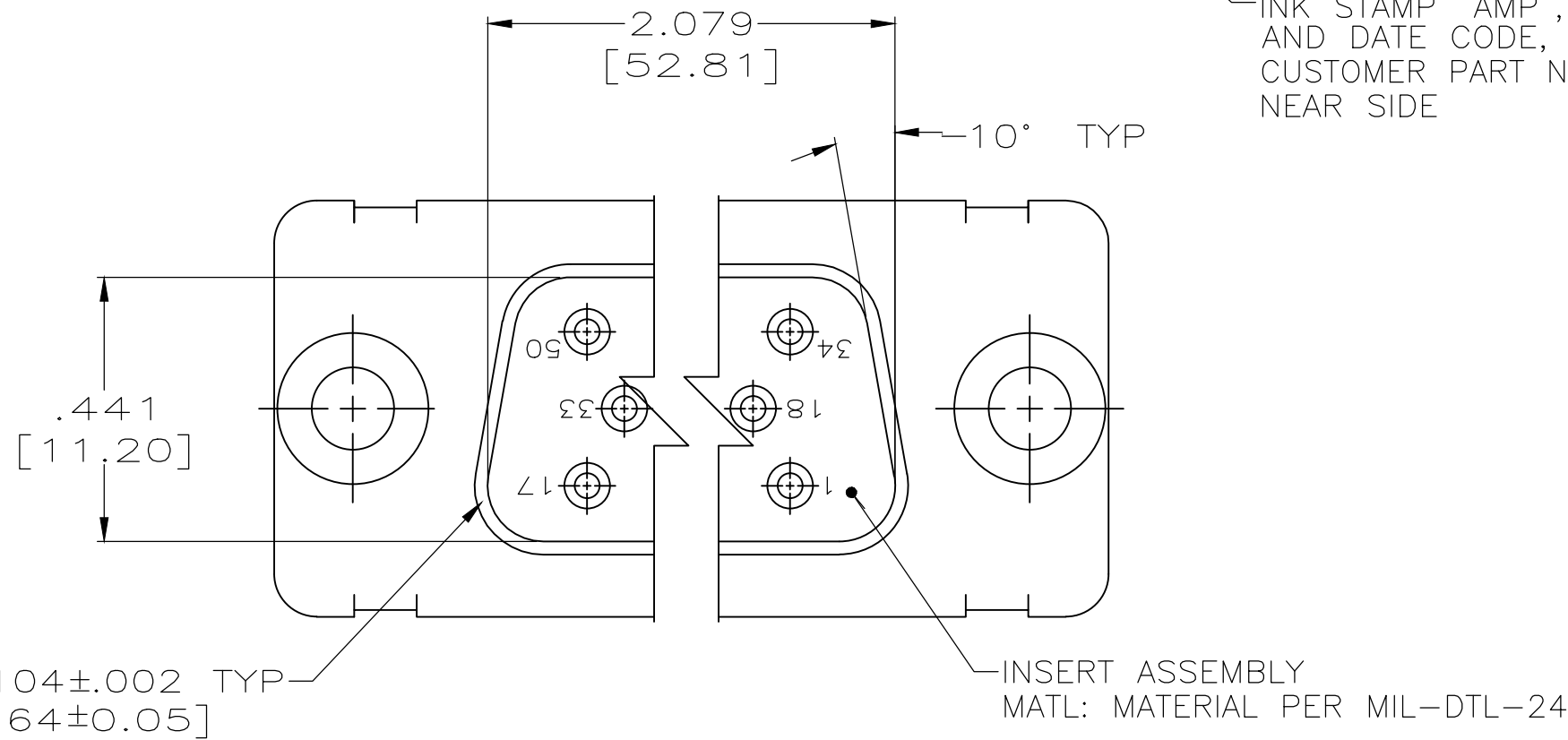
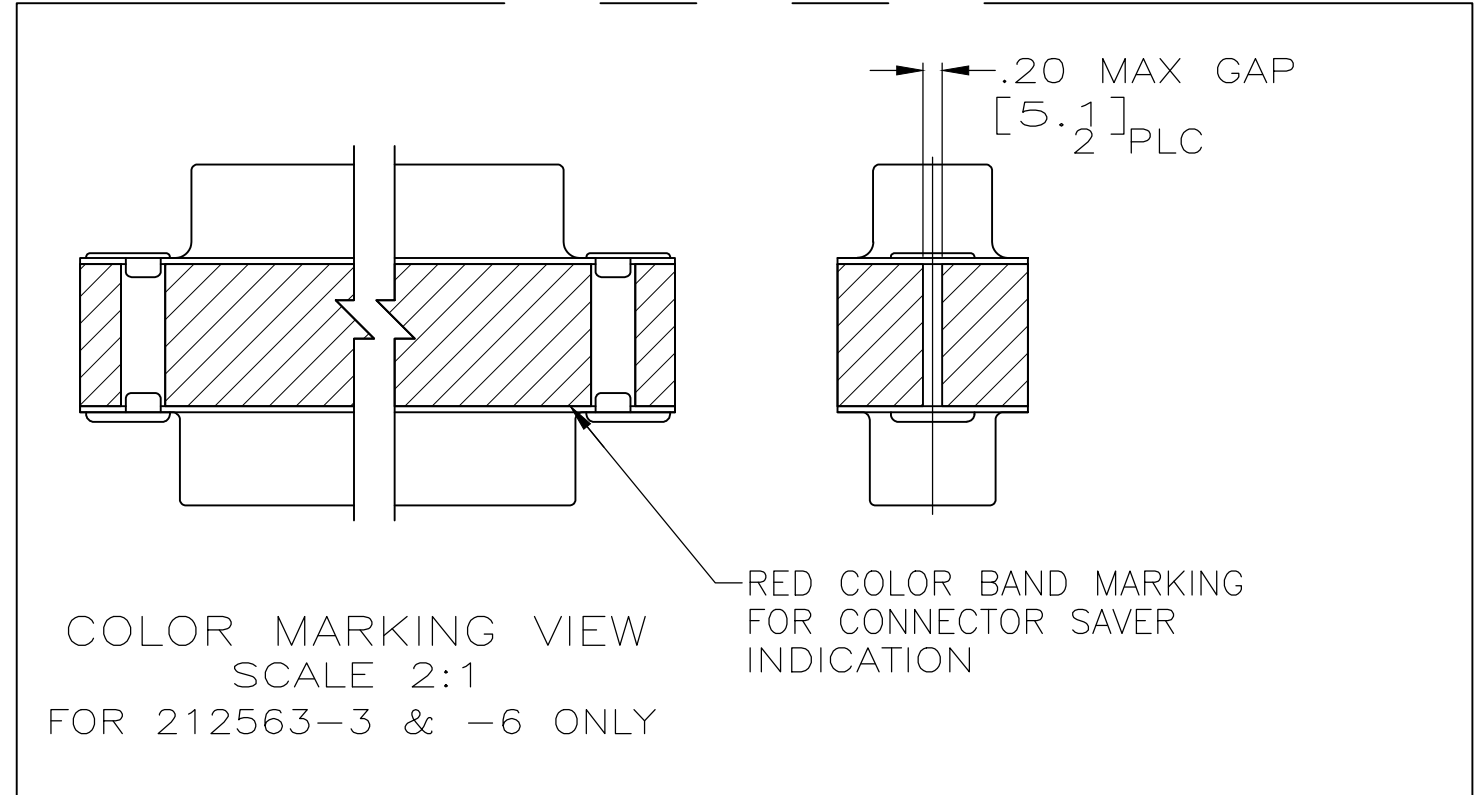
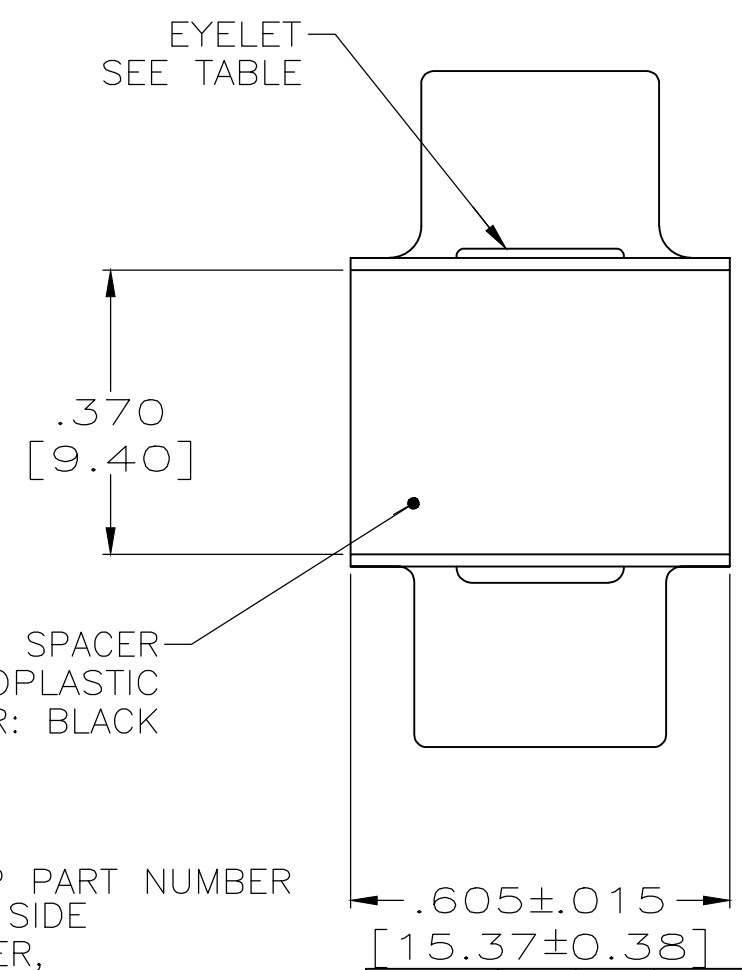
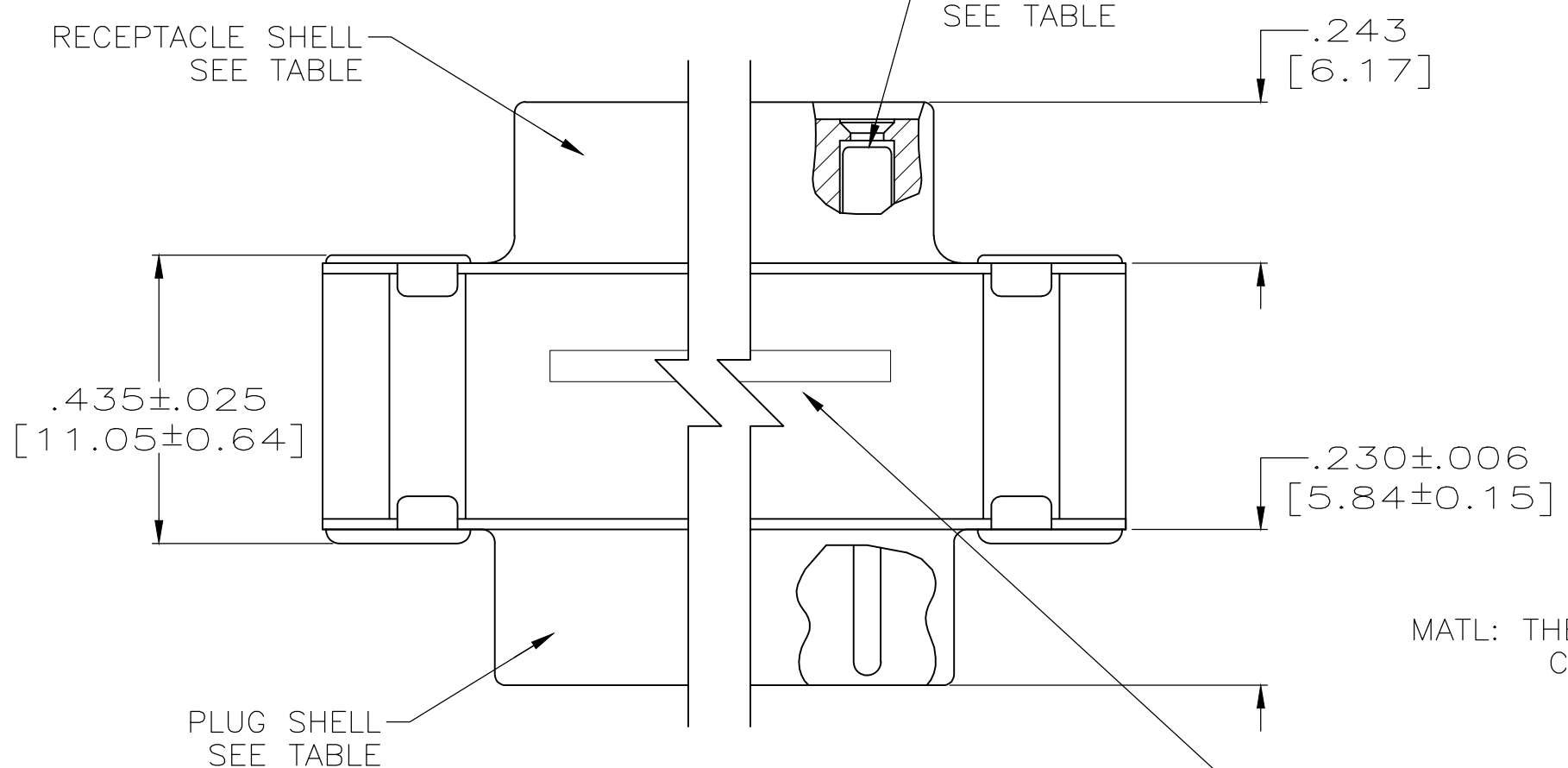


THIS DRAWING IS UNPUBLISHED. RELEASED FOR PUBLICATION
 © COPYRIGHT - By - ALL RIGHTS RESERVED.

LOC		DIST		REVISIONS			
P	LTR	DESCRIPTION		DATE	DWN	APVD	
	U	REVISED PER ECO-15-005920		27-May-15	MGM	CT	



- CONTACTS INCLUDED IN ASSEMBLY.
 - △ MATL: STEEL, PER ASTM-A-109.
 - △ FINISH: CADMIUM PER QQ-P-416.
 - △ CONTACT
 - BODY MATL: BERYLLIUM COPPER PER ASTM-B-197.
 - BODY FINISH: PLATED GOLD, .000050 MIN THK PER MIL-G-45204 OVER NICKEL, .000050 MIN THK PER QQ-N-290.
 - △ HOOD MATL: STAINLESS STEEL PER ASTM-A-167.
 - △ HOOD FINISH: PASSIVATED PER ASTM-A-380.
 - △ FINISH: PLATED ZINC .00020 MIN THK PER ASTM-B-633. YELLOW CHROMATE FINISH.
 - △ MATL: BRASS PER ASTM-B-36.
 - △ FINISH: PLATED GOLD, .000050 MIN THK PER MIL-G-45204 OVER COPPER, .000100 MIN THK PER MIL-C-14550.
 - △ CONTACT
 - BODY MATL: BERYLLIUM COPPER PER ASTM-B-197.
 - BODY AND HOOD FINISH: PLATED GOLD, .000050 MIN THK PER MIL-G-45204 OVER COPPER, .000100 MIN THK PER MIL-C-14550.
 - HOOD MATL: BRASS PER ASTM-B-36.



OBSOLETE	△ △	△ △	△	4U884 SOCN R10002677-0105	212563-6
	△ △	△ △	△	PT2-111-11	212563-5
	△ △	△ △	△	-	212563-4
	△ △	△ △	△	(1J02-105)	212563-3
	△ △	△ △	△	-	212563-2
	△ △	△ △	△	-	212563-1
	EYELET	SHELLS	CONTACT	CUSTOMER P/N	PART NO.

THIS DRAWING IS A CONTROLLED DOCUMENT.

DIMENSIONS: INCHES	TOLERANCES UNLESS OTHERWISE SPECIFIED:	DWN MANJUNATH G M 27-May-15	TE Connectivity
		CHK CHARLES THOMAS 27-May-15	
		APVD CHARLES THOMAS 27-May-15	CONNECTOR SAVER, AMPLIMITE 50 POSITION, SIZE 5, SERIES 109
		PRODUCT SPEC	SIZE A2 CAGE CODE 00779 DRAWING NO. C-212563
MATERIAL	FINISH	WEIGHT	RESTRICTED TO
			SCALE 4:1 SHEET 1 OF 1 REV U