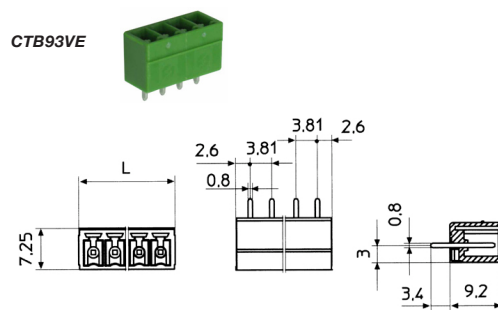


PCB TERMINAL BLOCKS

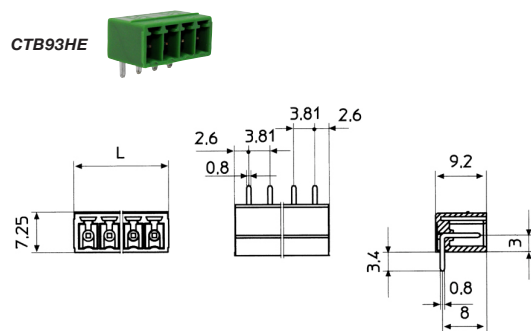
PCB mounting male vertical (closed ended)

| TYPE NO. | POLES | LENGTH | TYPE NO. | POLES | LENGTH |
|------------|-------|--------|------------|-------|--------|
| CTB93VE/2 | 2 | 9mm | CTB93VE/12 | 12 | 47.1mm |
| CTB93VE/3 | 3 | 12.8mm | CTB93VE/13 | 13 | 50.9mm |
| CTB93VE/4 | 4 | 16.6mm | CTB93VE/14 | 14 | 54.7mm |
| CTB93VE/5 | 5 | 20.4mm | CTB93VE/15 | 15 | 58.5mm |
| CTB93VE/6 | 6 | 24.3mm | CTB93VE/16 | 16 | 62.4mm |
| CTB93VE/7 | 7 | 28.1mm | CTB93VE/17 | 17 | 66.2mm |
| CTB93VE/8 | 8 | 31.9mm | CTB93VE/18 | 18 | 70mm |
| CTB93VE/9 | 9 | 35.4mm | CTB93VE/19 | 19 | 73.8mm |
| CTB93VE/10 | 10 | 39.5mm | CTB93VE/20 | 20 | 77.6mm |
| CTB93VE/11 | 11 | 43.3mm | | | |



PCB mounting male horizontal (closed ended)

| TYPE NO. | POLES | LENGTH | TYPE NO. | POLES | LENGTH |
|------------|-------|--------|------------|-------|--------|
| CTB93HE/2 | 2 | 9mm | CTB93HE/12 | 12 | 47.1mm |
| CTB93HE/3 | 3 | 12.8mm | CTB93HE/13 | 13 | 50.9mm |
| CTB93HE/4 | 4 | 16.6mm | CTB93HE/14 | 14 | 54.7mm |
| CTB93HE/5 | 5 | 20.4mm | CTB93HE/15 | 15 | 58.5mm |
| CTB93HE/6 | 6 | 24.3mm | CTB93HE/16 | 16 | 62.4mm |
| CTB93HE/7 | 7 | 28.1mm | CTB93HE/17 | 17 | 66.2mm |
| CTB93HE/8 | 8 | 31.9mm | CTB93HE/18 | 18 | 70mm |
| CTB93HE/9 | 9 | 35.4mm | CTB93HE/19 | 19 | 73.8mm |
| CTB93HE/10 | 10 | 39.5mm | CTB93HE/20 | 20 | 77.6mm |
| CTB93HE/11 | 11 | 43.3mm | | | |



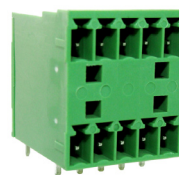
PCB Mounting Male Double Decker

- Space saving
- Double Deck
- 4-24 pole solid block
- Closed ends
- Coding keys available
- Moulded from green UL94 - V0 flame retardant PA

CTBDD93VE



CTBDD93HE

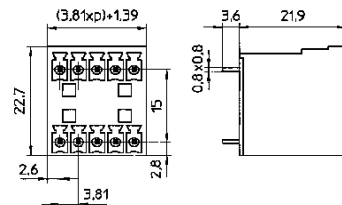


Vertical

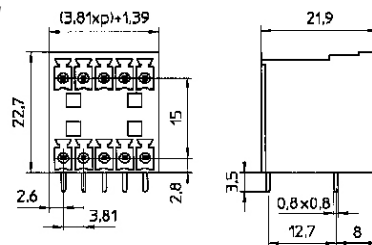
| TYPE NO. | POLES | LENGTH | TYPE NO. | POLES | LENGTH |
|--------------|-------|---------|--------------|-------|---------|
| CTBDD93VE/2 | 2 | 9mm | CTBDD93HE/2 | 2 | 9mm |
| CTBDD93VE/3 | 3 | 12.8mm | CTBDD93HE/3 | 3 | 12.8mm |
| CTBDD93VE/4 | 4 | 16.6mm | CTBDD93HE/4 | 4 | 16.6mm |
| CTBDD93VE/5 | 5 | 20.4mm | CTBDD93HE/5 | 5 | 20.4mm |
| CTBDD93VE/6 | 6 | 24.30mm | CTBDD93HE/6 | 6 | 24.30mm |
| CTBDD93VE/7 | 7 | 28.1mm | CTBDD93HE/7 | 7 | 28.1mm |
| CTBDD93VE/8 | 8 | 31.9mm | CTBDD93HE/8 | 8 | 31.9mm |
| CTBDD93VE/9 | 9 | 35.7mm | CTBDD93HE/9 | 9 | 35.7mm |
| CTBDD93VE/10 | 10 | 39.50mm | CTBDD93HE/10 | 10 | 39.50mm |
| CTBDD93VE/11 | 11 | 43.3mm | CTBDD93HE/11 | 11 | 43.3mm |
| CTBDD93VE/12 | 12 | 47.1mm | CTBDD93HE/12 | 12 | 47.1mm |

Horizontal

Vertical



Horizontal



PCB
TERMINAL
BLOCKS

INTER-
CONNECTION

FUSES &
FUSE-
HOLDERS

LEDs &
INDICATORS

MINIATURE
SWITCHES

LIMIT &
SAFETY
SWITCHES

CONTROL
PRODUCTS

INTERFACE
MODULES &
SUPPORTS

RELAY
BASES

ENCLOSURES

BATTERIES

TRANS-
FORMERS



+44 (0)1638 716101
info@camdenboss.com
www.camdenboss.com

We operate a constant improvement policy,
our products are subject to change without notice.

Ver 1.0 Iss 1

CAMDENBOSS
ELECTRONICS & ENCLOSURES