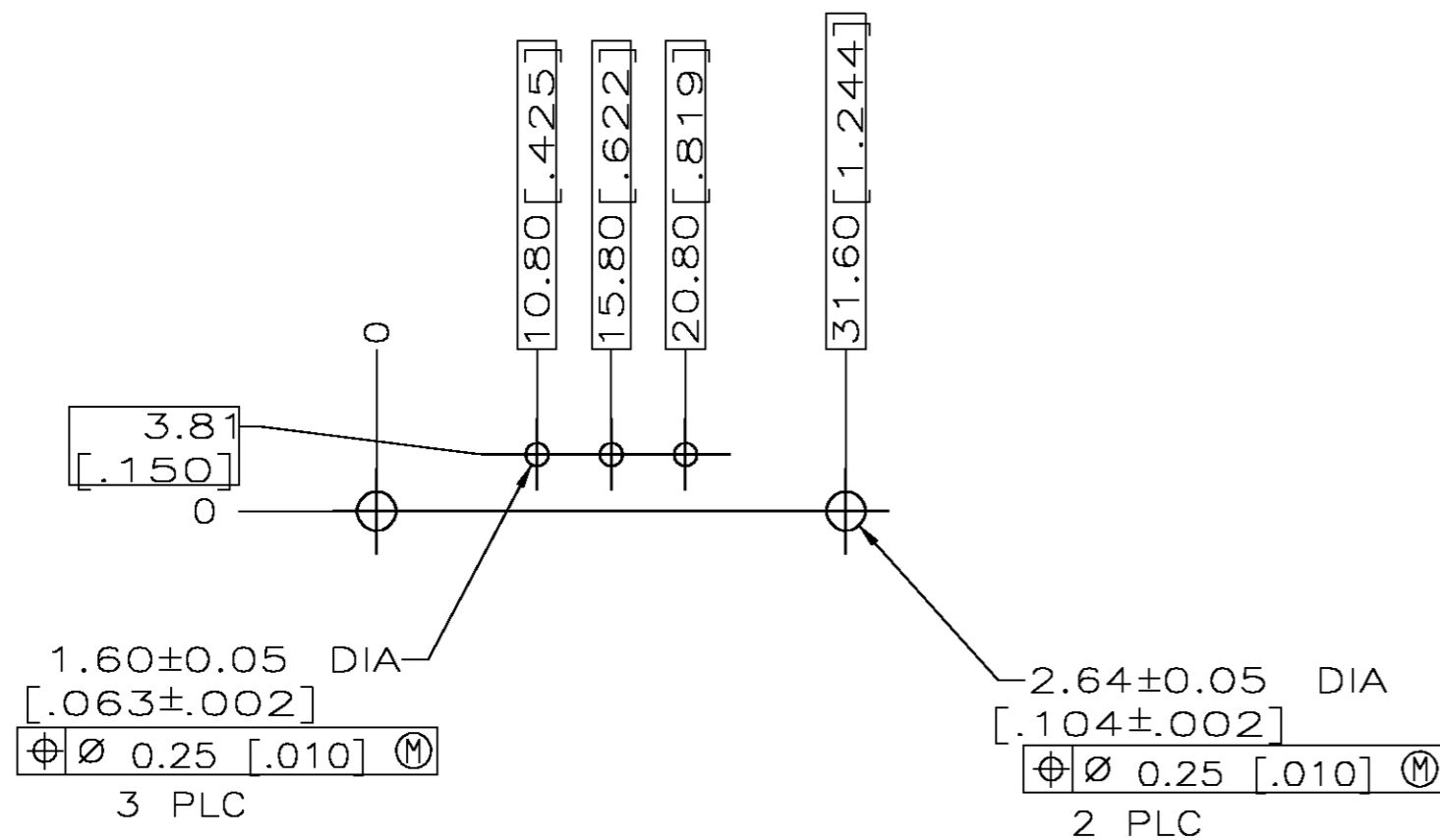
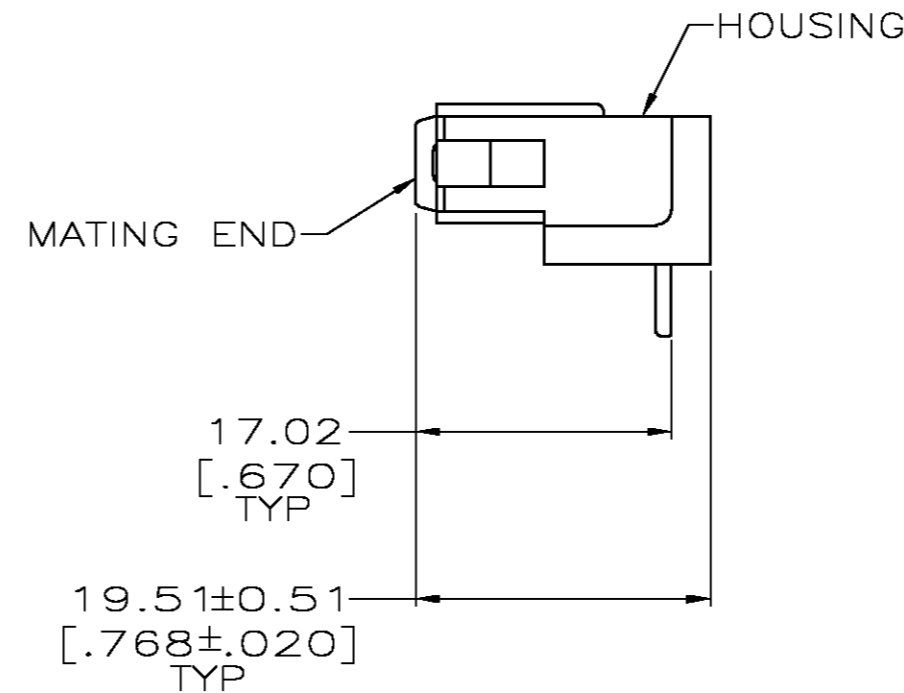
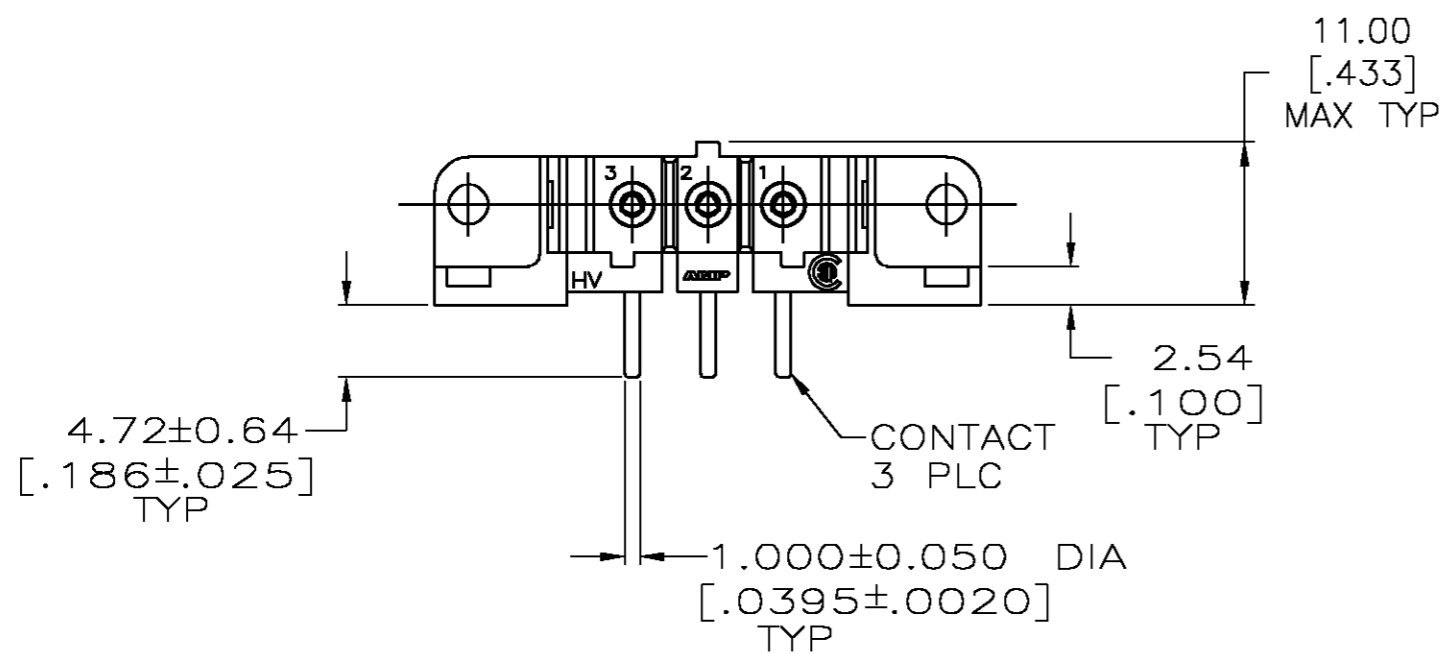
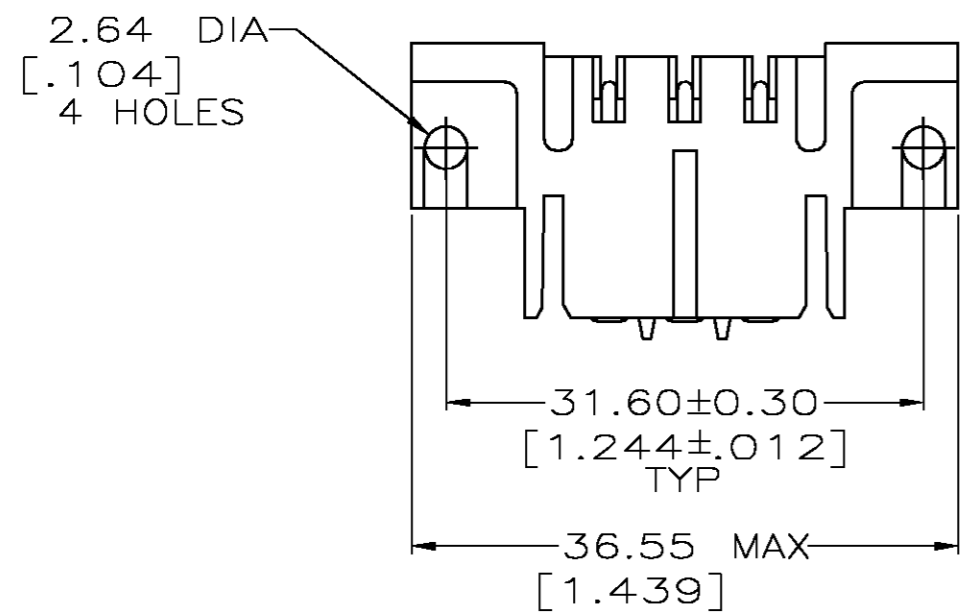


THIS DRAWING IS UNPUBLISHED. RELEASED FOR PUBLICATION  
 © COPYRIGHT BY TYCO ELECTRONICS CORPORATION. ALL RIGHTS RESERVED.

LOC	DIST	REVISIONS					
FT	0	P	LTR	DESCRIPTION	DATE	DWN	APVD
		H		REVISED PER 0G3B-0178-05	4/20/05	SS	GS



RECOMMENDED PC BOARD LAYOUT

- ① 3.81um [.000150] MIN TIN-LEAD OVER 0.76um [.000030] MIN NICKEL.
- ② 0.76um [.000030] MIN GOLD FOR A LENGTH OF 5.08 [.200] MIN FROM MATING END, 3.81um [.000150] MIN TIN-LEAD FOR A LENGTH OF 5.23 [.206] MIN FROM OPPOSITE END, BOTH OVER 1.27um [.000050] MIN NICKEL.
- ③ 3.81um [.000150] MIN TIN OVER 0.76um [.000030] MIN NICKEL.
- ④ 0.76um [.000030] MIN GOLD FOR A LENGTH OF 5.08 [.200] MIN FROM MATING END, 3.81um [.000150] MIN TIN FOR A LENGTH OF 5.23 [.206] MIN FROM OPPOSITE END, BOTH OVER 1.27um [.000050] MIN NICKEL.

④	207608-7
③	207608-6
②	207608-3
①	207608-1
CONTACT FINISH	PART NO.

THIS DRAWING IS A CONTROLLED DOCUMENT.		DWN	08/05/92	Tyco Electronics Corporation	
DIMENSIONS: mm [INCHES]		L.SIPE	8-11-92	Harrisburg, Pa 17105-3608	
TOLERANCES UNLESS OTHERWISE SPECIFIED:		CHK	J.McCLINTON	NAME	
0 PLC	± -	APVD	-	PRODUCT SPEC	
1 PLC	± -	APPLICATION SPEC		108-10033	
2 PLC	± 0.25 [.010]	MATERIAL		SIZE	
3 PLC	± -	HOUSING: NYLON, RED		A2	
4 PLC	± -	CONTACTS: SEE TABLE		CAGE CODE	
ANGLES	± -	FINISH		00779	
FINISH		WEIGHT		DRAWING NO	
CUSTOMER DRAWING		-		C=207608	
SCALE		SHEET		RESTRICTED TO	
2:1		1 OF 1		-	
REV		H			