

2-conductor through terminal block

Item No.: 282-101



2-conductor through terminal block

MarkingRoHS ✓
Compliant**Business data**

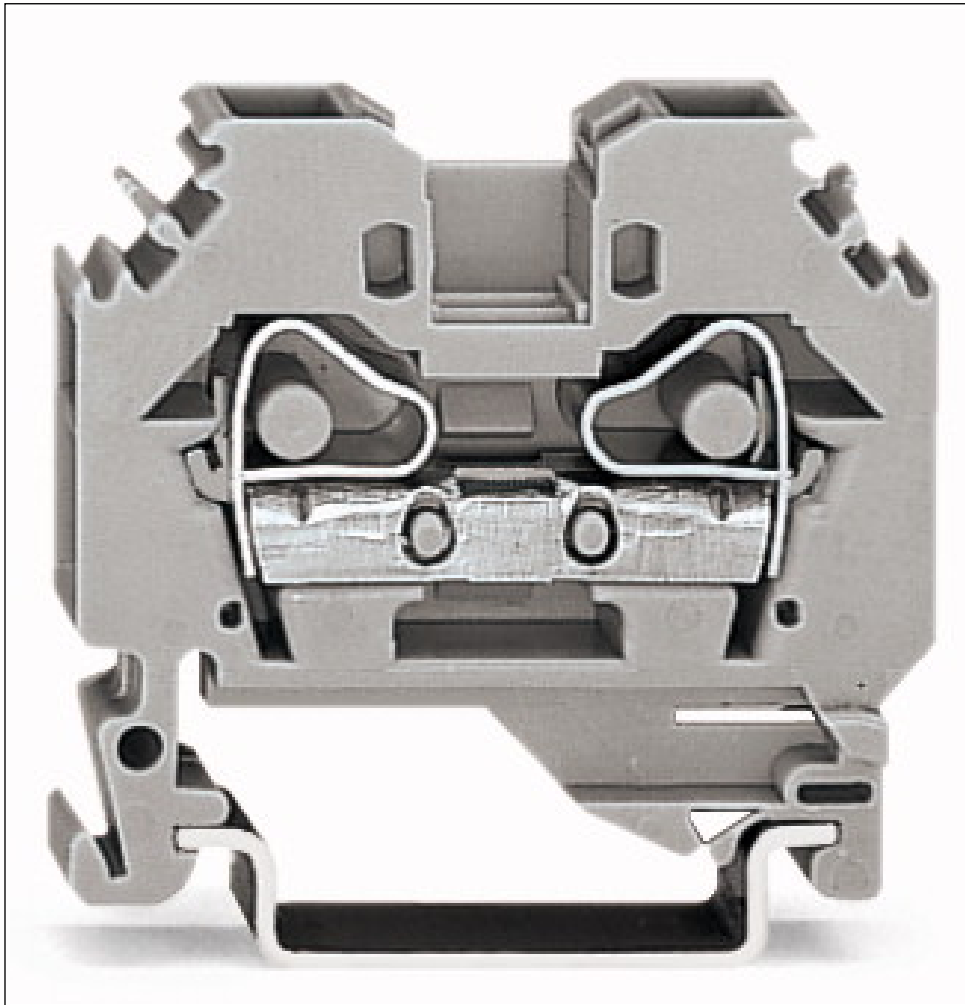
| | |
|----------------------|---------------|
| Supplier | WAGO |
| Item no. | 282-101 |
| GTIN / EAN | 4044918511070 |
| Content | 1 |
| Order amount | 50 |
| Customer item number | |

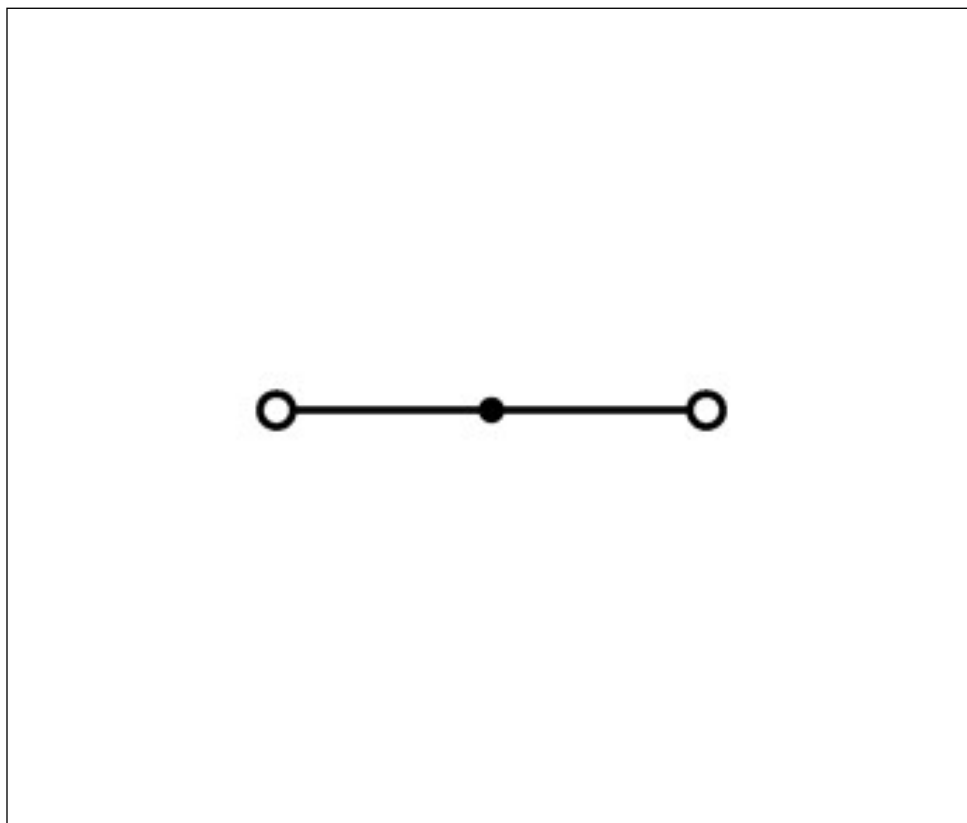
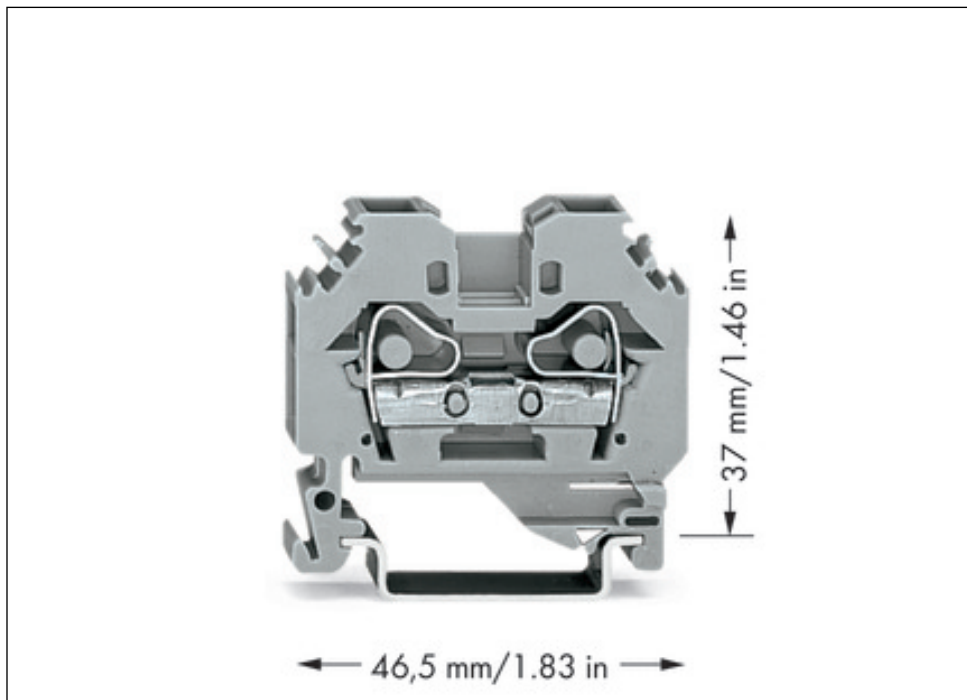
Notes**Technical data****Miscellaneous**

| | |
|-----------------------------------|---|
| Total number of connection points | 2 |
| Total number of potentials | 1 |
| Color | gray |
| Ratings according to 1 | IEC/EN 60947-7-1 |
| Pollution degree (1) | 3 |
| Rated voltage EN (1) [V] | 800 [V] |
| Rated surge voltage (1) [kV] | 8 [kV] |
| Nominal current [A] | 41 [A] |
| Connection technology (1) | CAGE CLAMP® |
| Solid sizes 1 | 0.2 ... 6 mm ² / 24 ... 10 AWG |

| Technical data | |
|--|---|
| <i>Fine-stranded wires 1</i> | <i>0.2 ... 6 mm² / 24 ... 10 AWG</i> |
| <i>Strip length 1</i> | <i>12 ... 13 mm / 0.47 ... 0.51 in</i> |
| <i>Type of wiring</i> | <i>Side-entry wiring</i> |
| <i>Design</i> | <i>horizontal</i> |
| <i>Marking level</i> | <i>Side marking</i> |
| <i>Insulating material</i> | <i>Polyamide 66 (PA 66)</i> |
| <i>Fire load [MJ]</i> | <i>0.185 [MJ]</i> |
| <i>Weight [g]</i> | <i>11.427 [g]</i> |
| <i>Width</i> | <i>8 mm / 0.315 in</i> |
| <i>Height from upper-edge of DIN-rail [mm]</i> | <i>37 [mm]</i> |
| <i>Height from upper-edge of DIN-rail</i> | <i>37 mm / 1.457 in</i> |
| <i>Length</i> | <i>46.5 mm / 1.831 in</i> |
| <i>Type of mounting</i> | <i>DIN 35 rail</i> |

Images & drawings





Address

WAGO Kontakttechnik GmbH & Co. KG

Hansastr. 27

32423 Minden

Telefon: 0571/887-0

Fax: 0571/887-169

<http://www.wago.com>

© WAGO Kontakttechnik GmbH & Co. KG

Technische Änderungen und Irrtümer vorbehalten.