



Introducing TE LED holder for Philips Lumileds LUXEON® K

The TE Solderless LED Holder, Type Z50, is a circular LED holder that provides a quick and easy solderless connection to the Philips Lumileds LUXEON K 12 and 16 LED array families. TE's Type Z50 holder allows the direct attachment of LUXEON K LEDs to a heat sink using standard screws, which enables designs to be more reliable, easier to user, and faster to market. The Type Z50 reduces assembly costs and provides a reliable solderless power connection, secure mechanical attachment, proper thermal hold down forces, and a landing zone with attachment features for additional secondary optics.

KEY FEATURES

- Snap-in LED retention feature simplifies installation by securing the LED to the holder before mounting
- Poke-in wire connection eliminates time consuming soldering to the LED
- Enables constant thermal down force to minimize influence by thermal plastic deformation at high temperature
- Makes easy and clean thermal paste application possible with built-in excess paste overflow feature
- Provides a specified and stable landing area for additional secondary optics
- Optional alternate mechanical optic attachment accessory
- Minimalistic aesthetic design with clear polarity indication to aid assembly
- Mechanically strong and robust design with negligible light interference
- Available optics from Carclo and LEDIL for Zhaga version

APPLICATIONS

- Spotlights
- Down Lights
- Stage lights
- Wall washers
- Architectural lighting

MECHANICAL

- Operating temperature range -40 to 105°C
- Utilize a minimum screw size of #4 or M3 for attachment
- Poke-in style electrical contacts supporting 18-22 AWG (0.35 - 0.75mm²) solid, fused and stranded wire
- Zhaga compatible 50mm diameter by 6mm high
- Low profile 45mm by 3.4mm high

ELECTRICAL

- Current rating: 5A
- Voltage rating: 60VDC
- Designed to comply to UL1977 which may help application approbation according to UL8750 and UL1598
- IEC 60838-2-2

MATERIALS

- High Mechanical strength
- High heat resistance
- Good electrical properties
- UL94V-0 flammability rating

PRODUCT OFFERING

Z50 Low Profile Holder profile:	2213130-1
Z50 Zhaga profile with optic attachment holes:	2213130-2
Optional:	
Z50 Reflector Optics Retaining Clip Model 1:	2213194-1

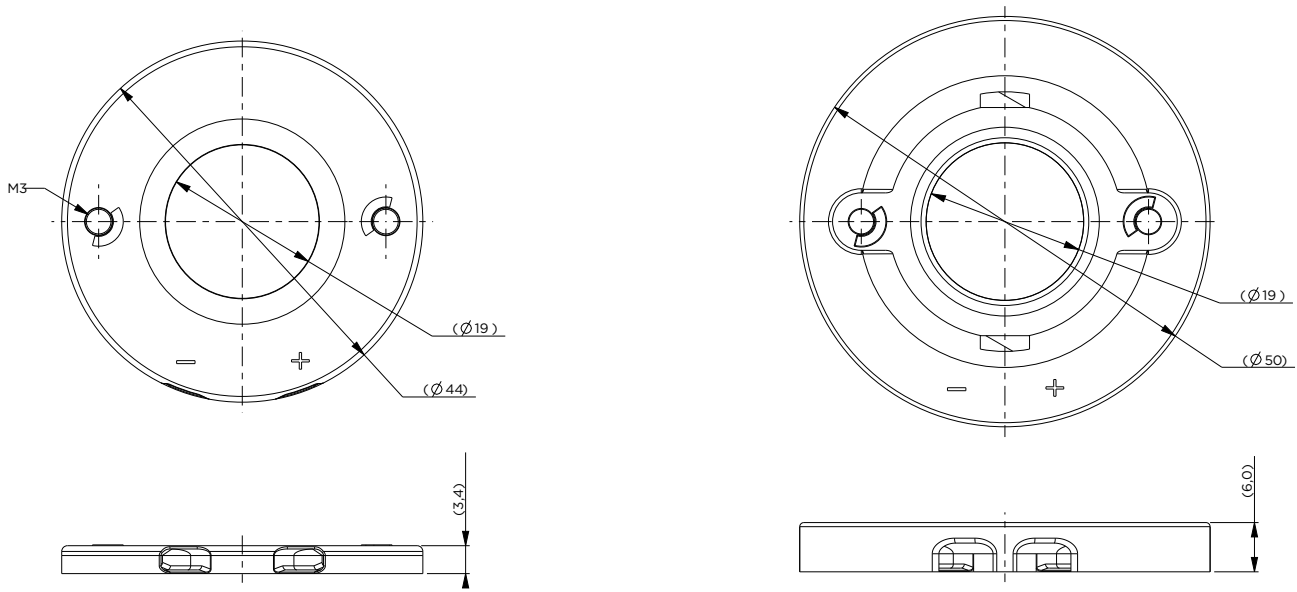
APPLICATIONS AND SPECIFICATIONS

- Application specification #: **114-32047**
- Product Specification #: **108-133009**
- Product Drawing #: **2213134**

PHILIPS
LUMILEDS

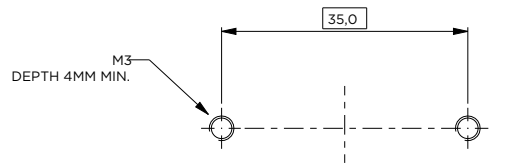


PRODUCT DIMENSIONS





Low Profile Version

Zhaga profile with optic attachment feature



Recommended Mounting Hole Pattern

Available Optics

TE Holder	Optics Partner	Product	Website	TE Attachment Accessory Required
2213134-2		NEWTON Series Reflectors	www.carclo-optics.com	None
2213134-2		ANGELA and ANGELINA Series Reflectors	www.ledil.com	2213194-1 (Reflector Optics Retaining Clip Model 1)

Dimensions are shown for reference purposes only. Specifications subject to change. Customer drawing should be used for all design activity.



Mouser Electronics

Authorized Distributor

Click to View Pricing, Inventory, Delivery & Lifecycle Information:

[TE Connectivity:](#)

[2213134-2](#) [2213134-1](#)