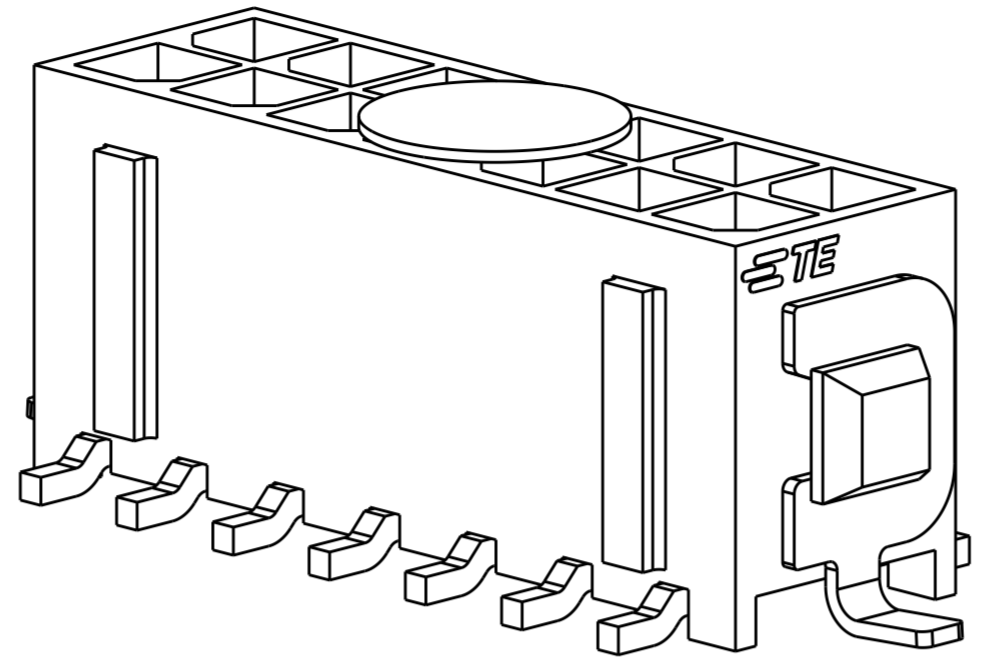
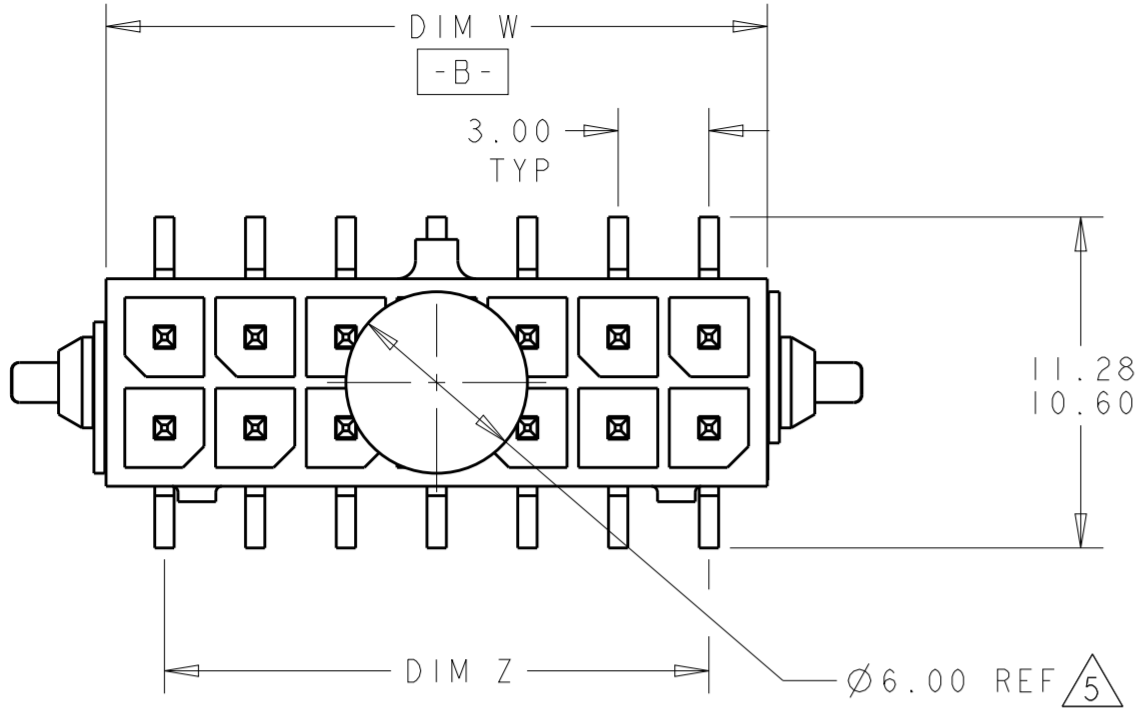


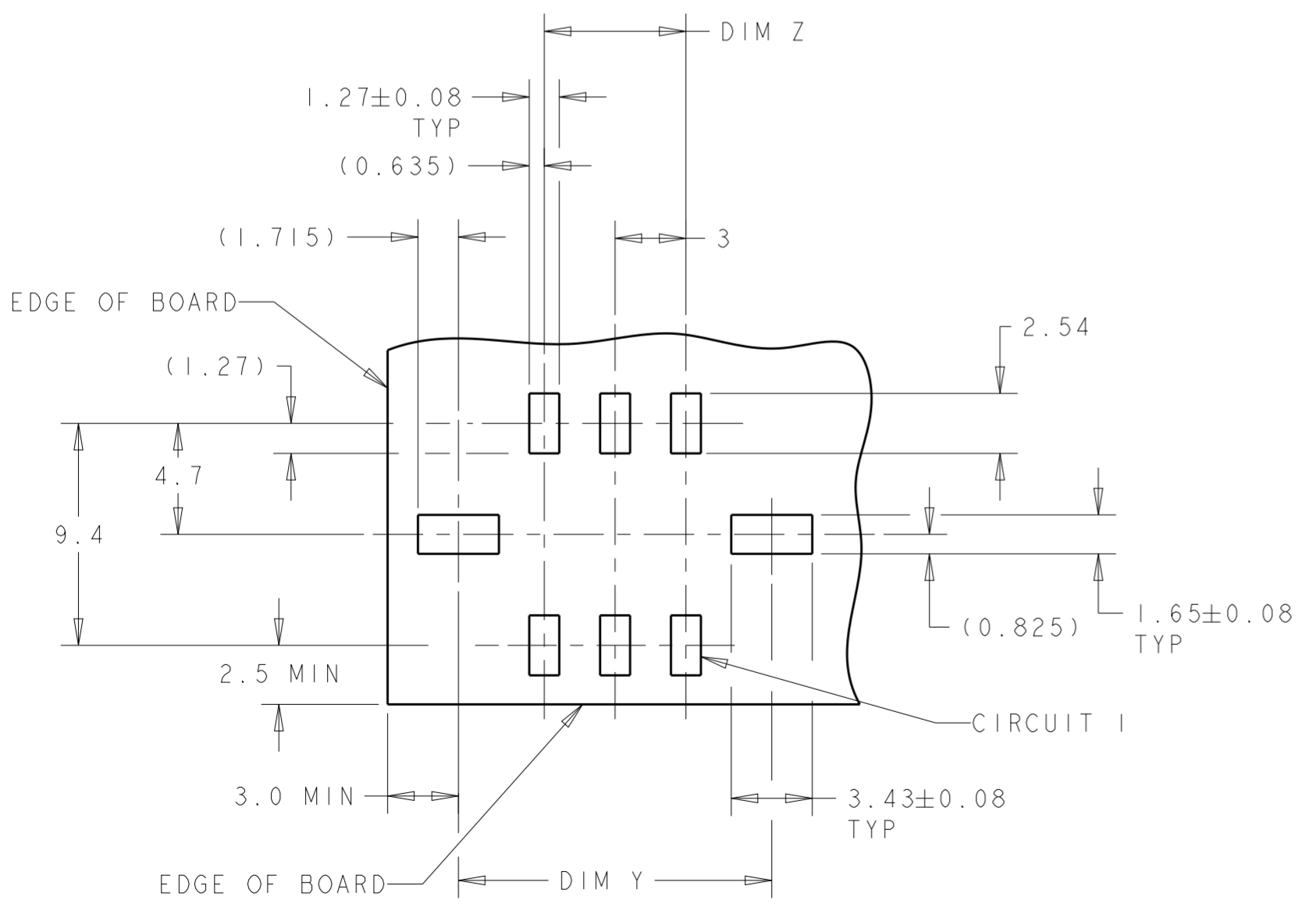
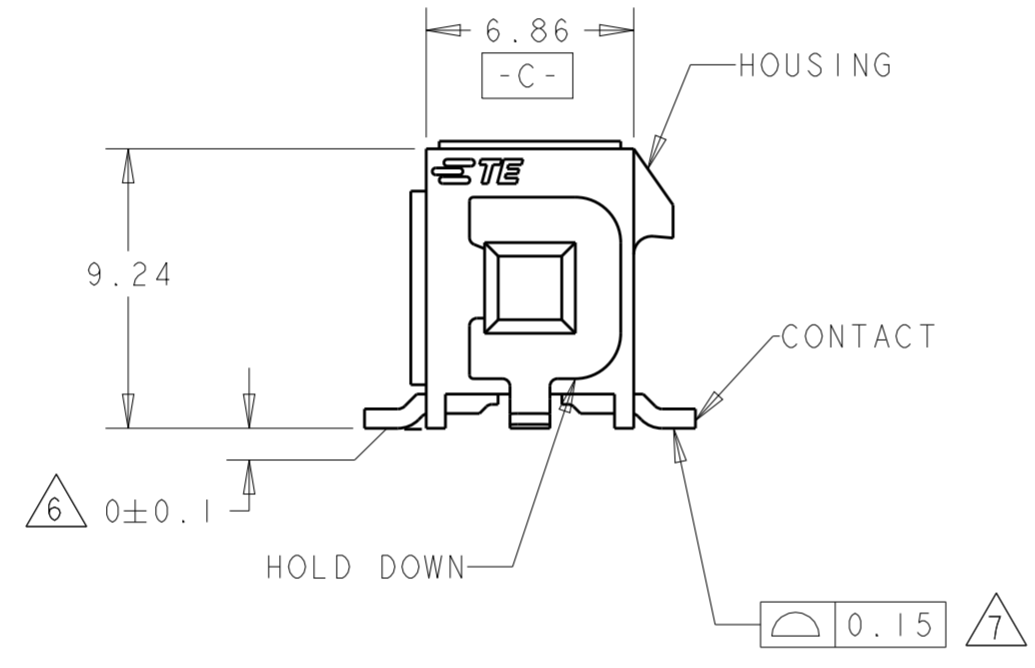
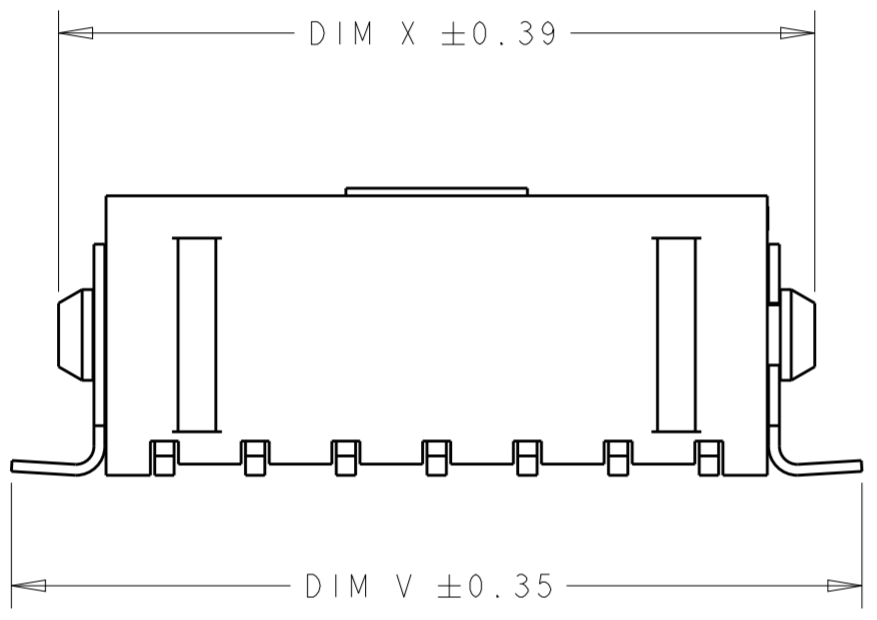
THIS DRAWING IS UNPUBLISHED. RELEASED FOR PUBLICATION 20
 © COPYRIGHT 20 BY - ALL RIGHTS RESERVED.

LOC	DIST	REVISIONS					
CM	00	P	LTR	DESCRIPTION	DATE	DWN	APVD
		J		REVISED PER ECO-15-003291	27JULY2015	SC	DZ



SCALE 6:1

- 1 MATERIAL:
CONTACTS - BRASS.
HOUSING - UL 94V-0 RATED HIGH TEMP NYLON, COLOR; BLACK.
HOLD DOWNS - PHOSPHOR BRONZE.
- 2 FINISH:
CONTACTS - 2.54µm MINIMUM TIN-LEAD OVER 1.27µm MINIMUM NICKEL.
HOLD DOWNS - 2.54µm TIN LEAD.
- 4 RECOMMENDED PC BOARD THICKNESS OF 1.57.
- 5 KAPTON VACUUM PICK UP BUTTON.
- 6 DIMENSION APPLIES TO SOLDERTAIL SURFACES AND STANDOFF SURFACES.
- 7 ALL SOLDERTAILS AND HOLD DOWNS.
- 8 FINISH:
CONTACTS - 2.54µm MINIMUM MATTE TIN OVER 1.27µm MINIMUM NICKEL.
HOLD DOWNS - 2.54µm MATTE TIN.



RECOMMENDED PCB LAYOUT (COMPONENT SIDE)

8	43.04	36.86	40.27	33.00	40.00	24	5-794636-4
	40.04	33.86	37.27	30.00	37.00	22	5-794636-2
	37.04	30.86	34.27	27.00	34.00	20	5-794636-0
	34.04	27.86	31.27	24.00	31.00	18	4-794636-8
	31.04	24.86	28.27	21.00	28.00	16	4-794636-6
	28.04	21.86	25.27	18.00	25.00	14	4-794636-4
	25.04	18.86	22.27	15.00	22.00	12	4-794636-2
	22.04	15.86	19.27	12.00	19.00	10	4-794636-0
	19.04	12.86	16.27	9.00	16.00	8	3-794636-8
	16.04	9.86	13.27	6.00	13.00	6	3-794636-6
	13.04	6.86	10.27	3.00	10.00	4	3-794636-4
	10.04	3.86	7.27	-	7.00	2	3-794636-2
	43.04	36.86	40.27	33.00	40.00	24	2-794636-4
	40.04	33.86	37.27	30.00	37.00	22	2-794636-2
	37.04	30.86	34.27	27.00	34.00	20	2-794636-0
	34.04	27.86	31.27	24.00	31.00	18	1-794636-8
	31.04	24.86	28.27	21.00	28.00	16	1-794636-6
	28.04	21.86	25.27	18.00	25.00	14	1-794636-4
	25.04	18.86	22.27	15.00	22.00	12	1-794636-2
	22.04	15.86	19.27	12.00	19.00	10	1-794636-0
	19.04	12.86	16.27	9.00	16.00	8	794636-8
	16.04	9.86	13.27	6.00	13.00	6	794636-6
	13.04	6.86	10.27	3.00	10.00	4	794636-4
	10.04	3.86	7.27	-	7.00	2	794636-2
2	DIM V	DIM W	DIM Y	DIM Z	DIM X	NO. OF POSN.	ASSEMBLY

THIS DRAWING IS A CONTROLLED DOCUMENT.

DWN S. HOOVER 23-MAR-2005
 CHK C. JONES 23-MAR-2005
 APVD C. JONES 23-MAR-2005

STE TE Connectivity

NAME: SURFACE MOUNT, VERTICAL, MECHANICAL HOLD DOWN, ASSEMBLY, TIN HEADER, DUAL ROW, MICRO MATE-N-LOK (TM)

SIZE: A2 CAGE CODE: 0779 DRAWING NO: C-794636

RESTRICTED TO: -

MATERIAL: SEE TABLE

WEIGHT: -

CUSTOMER DRAWING

SCALE: 4:1 SHEET: 1 OF 1 REV: J



794636

Mouser Electronics

Authorized Distributor

Click to View Pricing, Inventory, Delivery & Lifecycle Information:

[TE Connectivity:](#)

[2-794636-0](#)