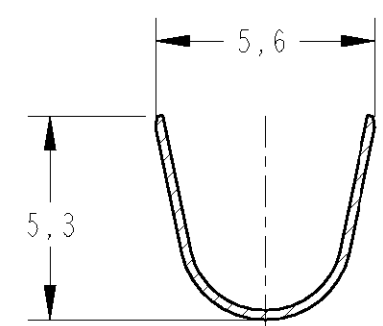
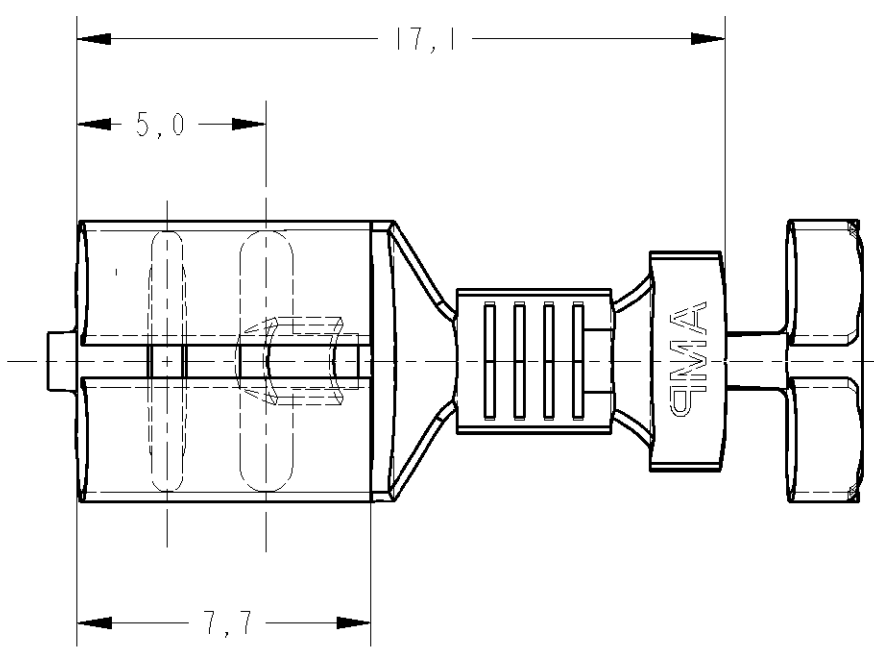
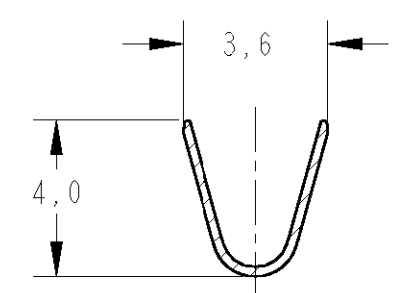


THIS DRAWING IS UNPUBLISHED. RELEASED FOR PUBLICATION  
 © COPYRIGHT 19 BY AMP INCORPORATED. ALL RIGHTS RESERVED.

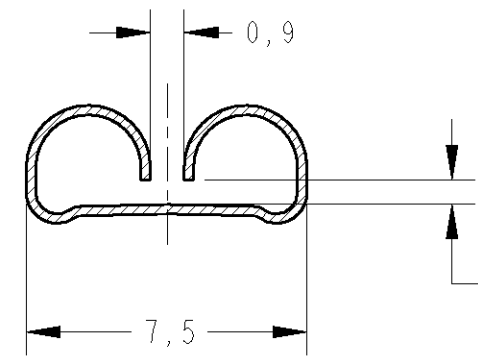
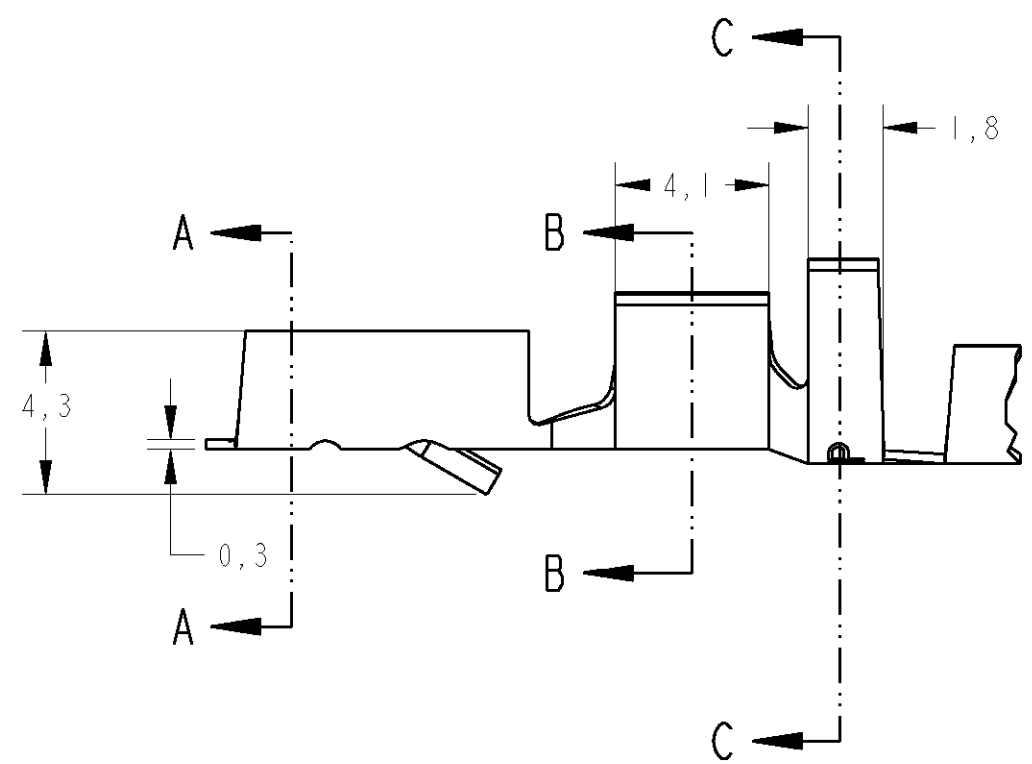
LOC	DIST	REVISIONS			
P	LTR	DESCRIPTION	DATE	DWN	APVD
AP	-				
	G	REDRAW WITH CHANGE EC 0147/99	26OCT00	MLO	PLF
	-	-	-	-	-
	-	-	-	-	-
	-	-	-	-	-



SECTION C-C



SECTION B-B



SECTION A-A

PARA LINGUETAS DE 0,8 DE ESPESSURA FOR 0,8 TAB

	PRATEADO/SILVER PLATED	BRONZE FOSFOROSO/PHOSP. BRONZE	626095-6
	PRATEADO/SILVER PLATED	LATÃO/BRASS	626095-5
	ESTANHADO/TIN PLATED	BRONZE FOSFOROSO/PHOSP. BRONZE	626095-4
	— x —	BRONZE FOSFOROSO/PHOSP. BRONZE	626095-3
	ESTANHADO/TIN PLATED	LATÃO/BRASS	626095-2
	— x —	LATÃO/BRASS	626095-1
	FINISH	MATERIAL	PART NUMBER

<small>THIS DRAWING IS A CONTROLLED DOCUMENT FOR AMP INCORPORATED. IT IS SUBJECT TO CHANGE AND THE CONTROLLING ENGINEERING ORGANIZATION SHOULD BE CONTACTED FOR THE LATEST REVISION.</small>		DWN M.L. OGAWA 20MAY99 CHK PL. FARIA APVD F. ALEXANDRONI	<b>AMP</b> AMP do Brasil LTDA. São Paulo, Brasil
DIMENSIONS: mm 	TOLERANCES UNLESS OTHERWISE SPECIFIED: 0 PLC ± 1 PLC ± 2 PLC ±0,3 3 PLC ± 4 PLC ± ANGLES ±1°	PRODUCT SPEC - APPLICATION SPEC - WEIGHT -	NAME .250 SERIES FAST-IN-ON RECEPTACLE SIZE A3 CAGE CODE 00779 DRAWING NO C-626095 RESTRICTED TO -
INS. DIA. RANGE 3,0-4,0 mm WIRE RANGE 1,0-2,5 mm <sup>2</sup>	CUSTOMER DRAWING		SCALE - SHEET 1 OF 1 REV G