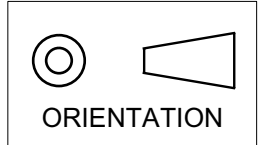


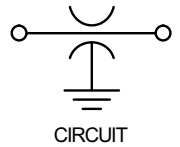
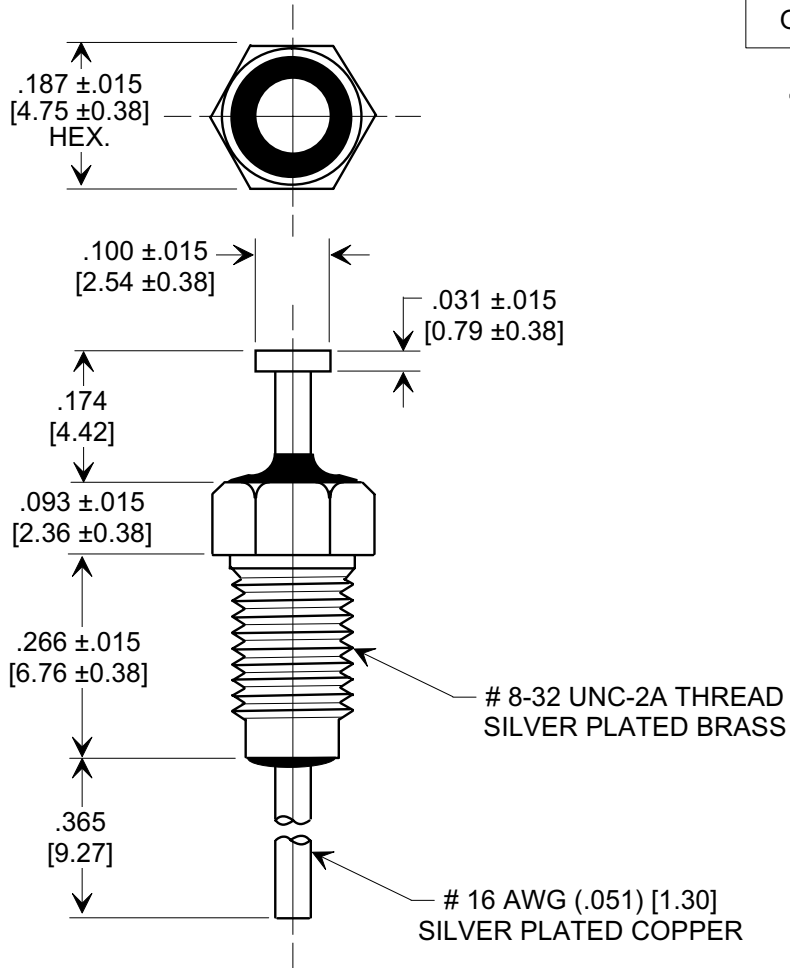
# MARKETING SALES DRAWING

This drawing is the property of Tusonix, Inc., and may not be used, reproduced, published or disclosed to others without expressed authorization by Tusonix Inc.

**DIMENSIONS IN INCHES - DO NOT SCALE THIS DRAWING**  
**DIMENSIONS IN METRIC - [ ]**



**Electrical Testing**  
**per Tusonix standard**  
**test plans and Mil-Std-202**  
**Test Methods.**



## SPECIFICATIONS

TUSONIX STYLE:	2425-003
CAP. VALUE:	1,000 pF
CAP. TOLERANCE:	GMV
TEMP. CHARACTERISTIC:	X7U
RATING:	200 VDC @ + 85°C/100 VDC @ +125°C
OPERATING RANGE:	-55°C TO + 125°C
CURRENT (A):	20
DWV VDC:	600
Insulation Resistance min @ 100 VDC:	10 GΩ

## NOTES:

- SUPPLIED WITH SILVER PLATED HEX NUT.
- MOUNTING TORQUE NOT TO EXCEED 5 lb-in. [.565 Nm].
- TUSONIX STANDARD PART NUMBER: 2425-003-X7U0-102AA TUSONIX RoHS COMPLIANT PART NUMBER: 2425-003-X7U0-102AA LF. CUSTOMER MUST SPECIFY STANDARD OR RoHS PART NUMBER WHEN ORDERING.
- PART MARKING: STANDARD PART: BLACK INK FOR TRADEMARK AND CAP. CODE. RoHS PART: GREEN INK FOR TRADEMARK AND CAP. CODE.

\* GMV - GUARANTEED MINIMUM VALUE.

<b>REVISION RECORD</b>	0	REVISED RATING: ADDED DWV: ADDED & REVISED NOTES: S.M. 03-09-06	1
	Original Release C.O. 20030521-1-01		20060217-2-15

--TOLERANCES-- Unless Otherwise Specified	Title <b>MINIATURE BUSHING FEED-THRU</b>	
DECIMAL ± .031 [079]	Drawn S.M. 05-21-03	Scale 4 X
ANGLES ±	Approved T.C. 05-21-03	
<b>TUSONIX</b> TUCSON, ARIZONA	<b>A 2425-003-X7U0-102AA</b>	

# Mouser Electronics

Authorized Distributor

Click to View Pricing, Inventory, Delivery & Lifecycle Information:

[Tusonix:](#)

[2425-003-X7U0-102AALF](#)