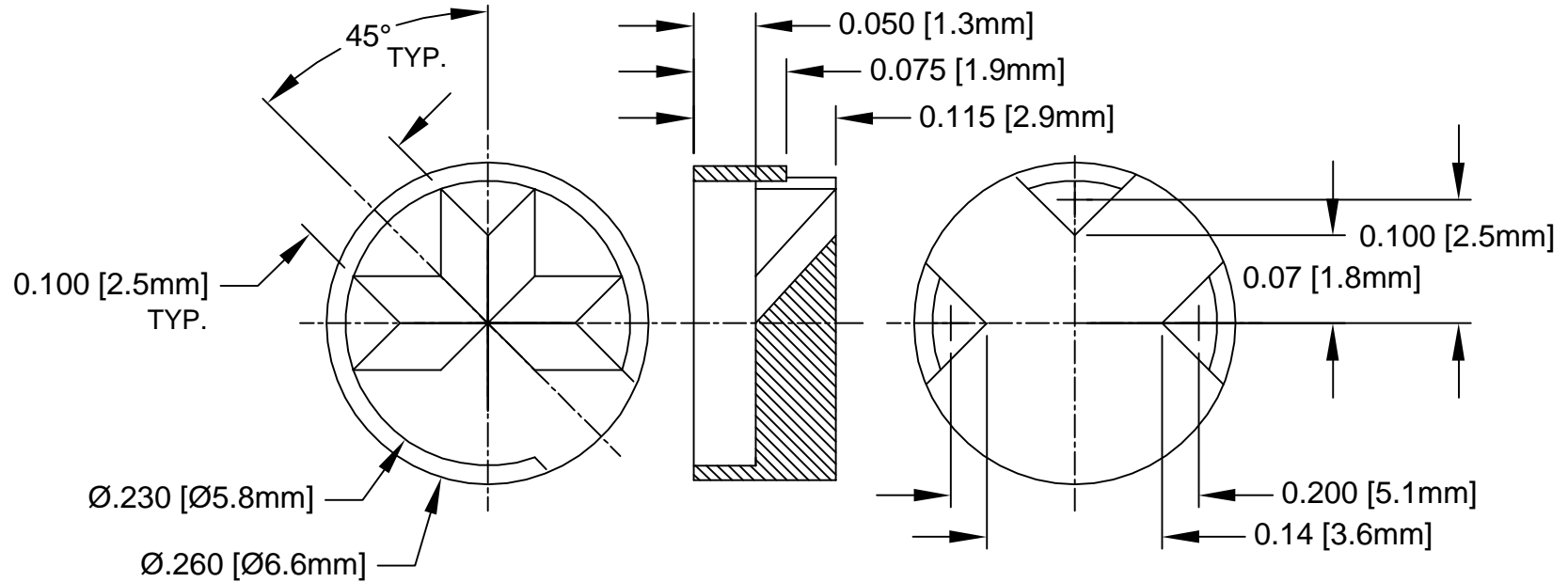

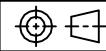


REV.	DESCRIPTION	DATE	APPROVED
A	Engineering Update w/o Changes	02/17/04	M. C.



3. MATERIAL: NYLON 6/6, 94V-2, NATURAL. BIVAR MATERIAL CODE 21-NL.  
TICONA NYLON 1310, NYLON 6/6, NATURAL.
2. MATERIAL: NYLON 6/6, 94V-2, WHITE. BIVAR MATERIAL CODE 04-WE.  
BASF ULTRAMID NYLON 6/6 A3K WHITE.
1. GENERAL SPECIFICATIONS: BIVAR MOLDED COMPONENT SPECIFICATION BV00-E101.

STANDARD TOLERANCE ( UNLESS OTHERWISE SPECIFIED )		 4 THOMAS, IRVINE, CA. 92618 TEL: (949) 951-8808 FAX: (949) 951-3974	
DECIMALS	ANGULAR		
.X ±.1	X° ± 1°		TITLE: PERM-O-PAD TO-18 MOUNT
.XX ±.01			PART NO: 200-115
.XXX ±.005			REVISION: A
DESIGNED: <b>Shane Irving</b>	DATE: <b>07/21/98</b>	CAGE CODE : <b>32559</b>	SHEET # <b>1 OF 1</b>
CHECKED: <b>D. Green</b>	DATE: <b>02/17/04</b>	CAD GENERATED DOCUMENT, DO NOT MEASURE DRAWING.	

# Mouser Electronics

Authorized Distributor

Click to View Pricing, Inventory, Delivery & Lifecycle Information:

[BIVAR:](#)

[200-115](#)