

har-link® Modular metric high speed connectors, 2.0 mm pitch

Page

har-link® connector system – general information

00.04

Technical characteristics

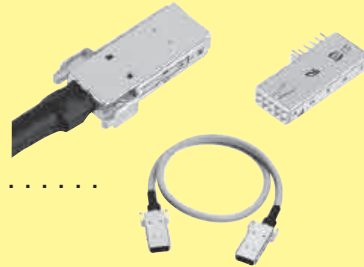
00.06

Male and female connectors

00.07

Accessories and cable assemblies

00.08



har-link

The **har-link®** connector system of HARTING complies with the requirements of IEC 61076-4-107 and is a compact and robust pcb-to-cable interface with excellent data transmission properties for high-speed networking and telecommunications.

All dimensions of the **har-link®** connector are in accordance with IEC 917 and IEEE P 1301 requirements, which allows for easy implementation into both metric and inch-based systems. In addition, **har-link®** supports hot plugging as required by modern bus systems such as CompactPCI, S-bus and VME.

har-link® allows data transmission up to 2 Gbit/s per pair and is therefore perfectly suited for modern transmission protocols such as Low Voltage Differential Signals (see Fig. 1). The design of the **har-link®** connector allows differential pairs to be placed horizontally (parallel to the pcb), thus reducing the skew at high frequencies and considering high signal integrity.

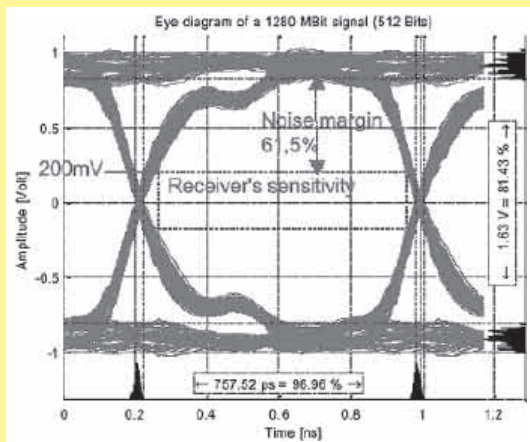


Fig. 1: Eye diagram of a 1280 MBit signal (512 Bits)

The metal shells of the **har-link®** connector are a guarantee for its superior performance in the EMI-polluted environment (see Fig. 2).



Fig. 2: 360° screened-can construction with locking levers

To reach a screening attenuation of more than 50 dB up to 1 GHz, HARTING offers brackets covering each connector in conjunction with a gasket, which is compressed between the bracket and the front panel (see Fig. 3).

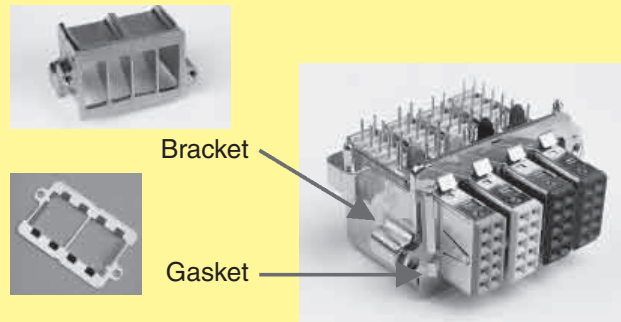


Fig. 3: 4 cavities bracket and gasket

Once plugged, the mated pair shows excellent mating safety. Due to the locking levers on both sides of the male connector, the connection withstands a pulling force of up to 80 N (see Fig. 2).

The high temperature resistant material of the **har-link®** female connector body supports the safe reflow soldering process. For easy identification of female modules, six different colours are available (see Fig. 4).

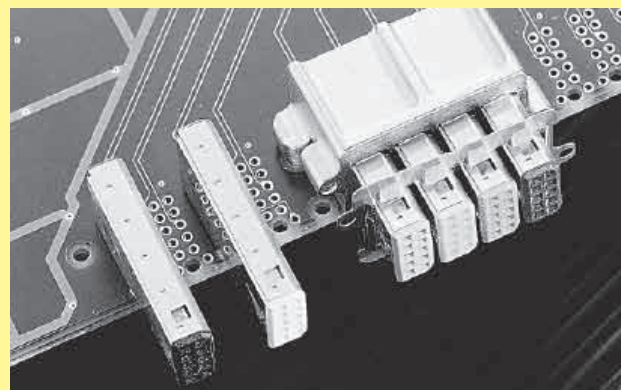


Fig. 4: Female modules

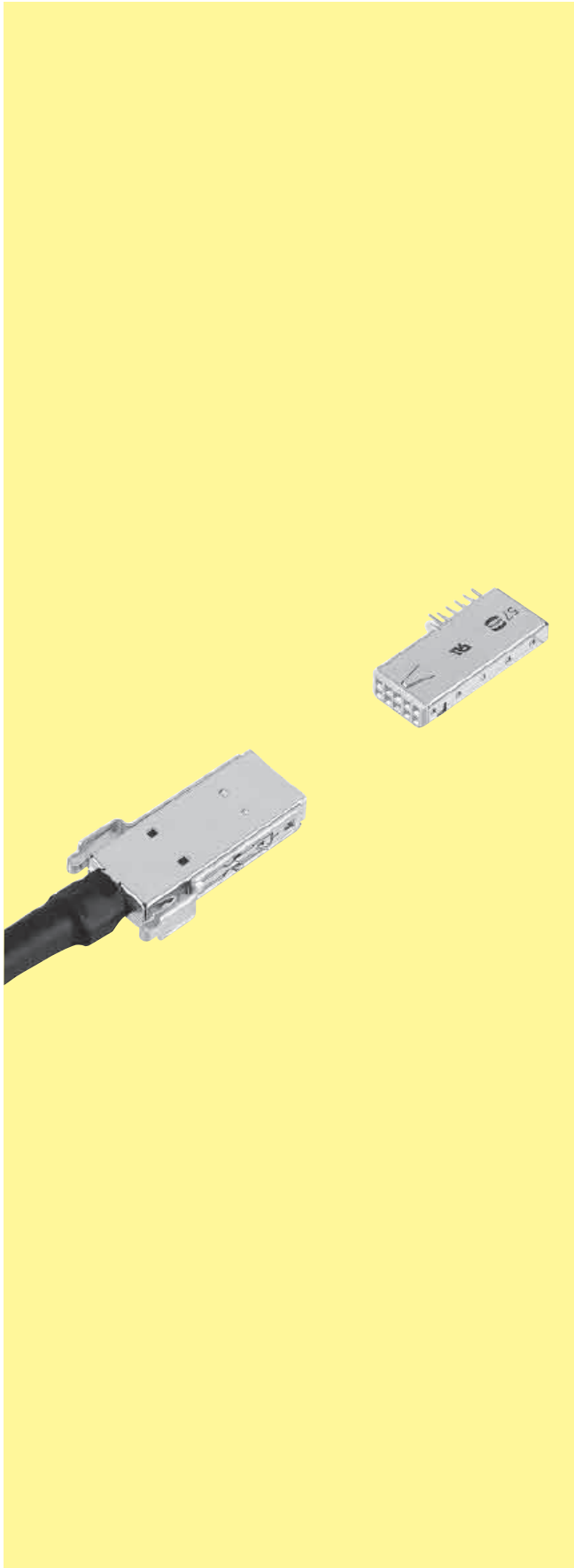
In addition to single connectors, HARTING provides cable assemblies with unshielded twisted pairs or with shielded twisted pairs for high speed applications such as IEEE 1355. A crimping tool range for terminating the male **har-link®** connectors is available.



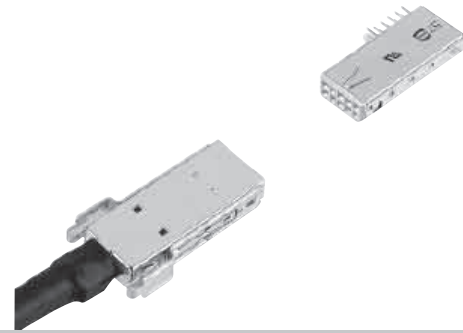
har-link

har-link

Number of contacts	10
Approvals	IEC 61 076-4-107 UL recognized: E102079
Contact pitch Connector pitch	2 mm 6 mm
Working current	1.5 A at 70 °C
Test voltage U _{r.m.s.}	750 V
Contact resistance Insulation resistance	≤ 30 mΩ ≥ 10 ¹⁰ Ω
Temperature range during reflow soldering	-55 °C ... + 125 °C female: max. + 260 °C for 60 s
Mating cycles	250, performance level 2
Terminations	Insulation displacement (male), AWG 28/7 - 30/7, AWG 30 solid Solder pins for ø 0.6 mm min. (female)
Insertion force Withdrawal force	10 N max. / module 2 N min. / module (without locking levers)
Latching system	Locking levers
Materials Mouldings	Male connector: Polyester, UL 94-V0 Female connector: High temperature plastic material, UL 94-V0
Contacts Shells	Copper alloy Male connector: Stainless steel Female connector: Silver nickel
Contact surface Contact zone	Selectively gold-plated



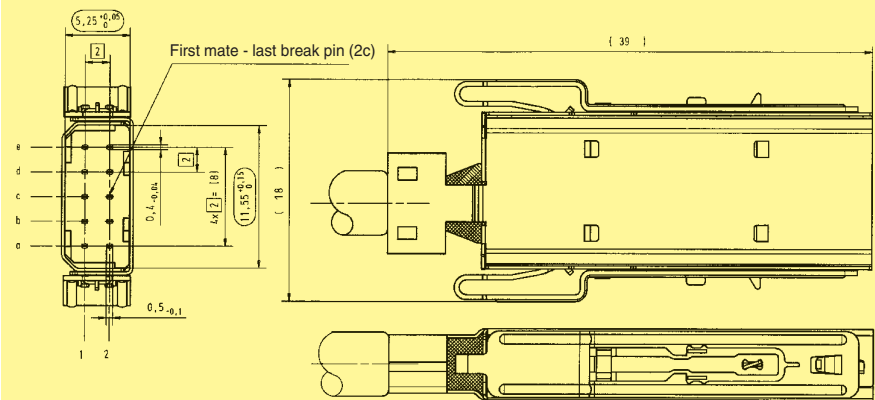
00
06



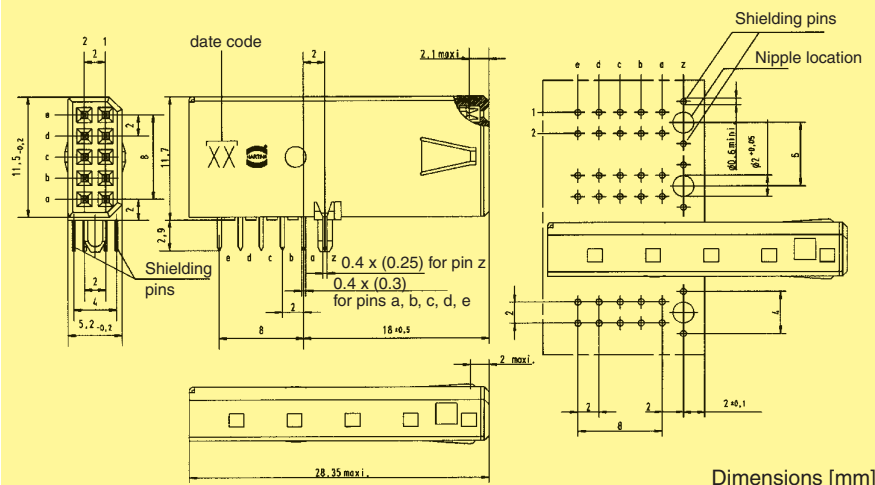
Male connectors, straight
Female connectors, angled

Identification	No. of contacts	Colour	Part No.
Male connector for insulation displacement	10	Black	27 11 161 8001
Female connector with solder pins	10	Beige (standard)	27 21 121 8000
	10	Red	27 21 121 8002
	10	Yellow	27 21 121 8004
	10	Green	27 21 121 8005
	10	Blue	27 21 121 8006
	10	Black	27 21 121 8010

Male connector

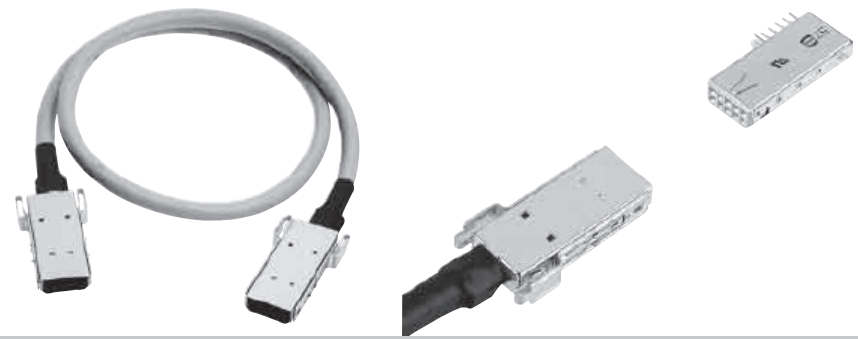


Female connector



Dimensions [mm]

har-link

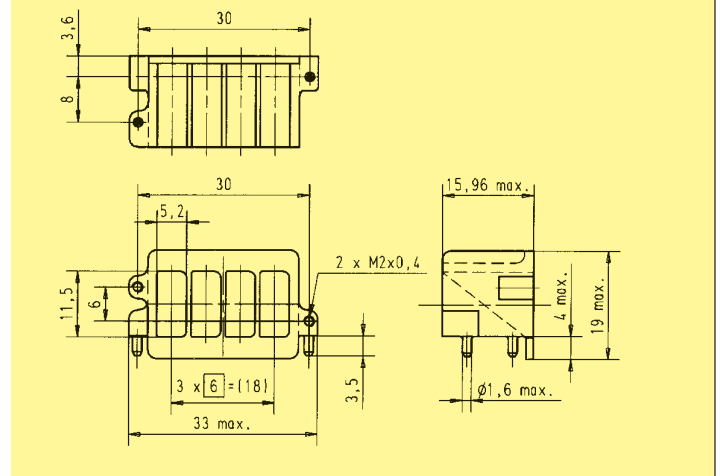


Accessories and cable assemblies

Identification	Part No.	Drawing	Dimensions [mm]
----------------	----------	---------	-----------------

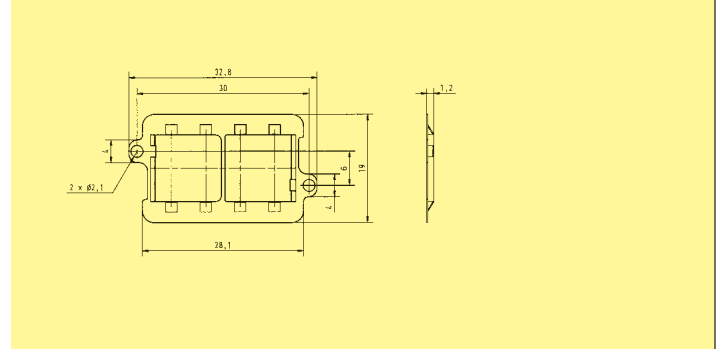
Bracket
with four cavities

27 71 040 0001



Gasket
with four cavities

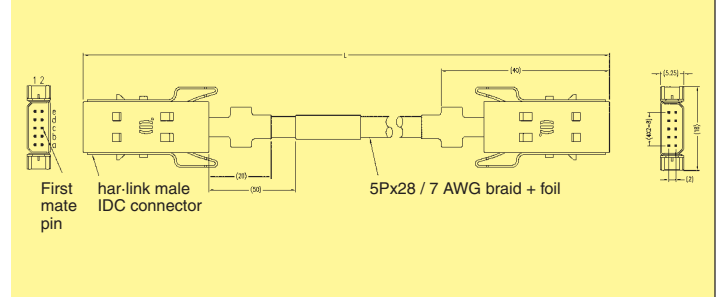
27 71 040 0002



Standard cable assembly
with **single** shielding
and 1:1 wiring

Length: L = 0.5 m
L = 1.0 m
L = 2.0 m

33 27 243 0500 001
33 27 243 1000 002
33 27 243 2000 003



High end cable assembly
with **double** shielding
and 1:1 wiring
suitable for HF applications

Length: L = 0.5 m
L = 1.0 m
L = 2.0 m

33 27 243 0500 006
33 27 243 1000 007
33 27 243 2000 008

