

Current transducers - MACX MCR-SL-CAC-12-I-UP - 2810638

Please be informed that the data shown in this PDF Document is generated from our Online Catalog. Please find the complete data in the user's documentation. Our General Terms of Use for Downloads are valid (<http://phoenixcontact.com/download>)



Current measuring transducer for 5 A and 12 A AC, the output signal 0...20 mA or 4...20 mA, can be configured using a DIP switch with an operating mode indication through an LED

The figure shows 2810625 MACX MCR-SL-CAC-5-I-UP

Why buy this product

- Input/output can be configured via DIP switches



Key Commercial Data

Packing unit	1 pc
GTIN	 4 046356 510356
Weight per Piece (excluding packing)	140.0 g
Custom tariff number	85437090
Country of origin	Germany

Technical data

Dimensions

Width	22.5 mm
Height	104 mm
Depth	114.5 mm

Ambient conditions

Ambient temperature (operation)	-20 °C ... 65 °C (-4°F ... 149°F)
Ambient temperature (storage/transport)	-40 °C ... 85 °C (-40°F...185°F)
Degree of protection	IP20

Input data

Configurable/programmable	Via DIP switches
Setting range for min. input current	0 A AC ... 5 A AC (configurable)

Current transducers - MACX MCR-SL-CAC-12-I-UP - 2810638

Technical data

Input data

Setting range for max. input current	0 A AC ... 12 A AC (configurable)
Overload capacity	1 x I _N (continuous)
Surge strength	8 x I _N (1 s)
Nominal frequency f _N	50 Hz
Frequency measuring range	45 Hz ... 65 Hz
Connection method	Screw terminal block

Output data

Output name	Current output
Configurable/programmable	Via DIP switches
Current output signal	0 mA ... 20 mA (configurable)
	4 mA ... 20 mA (configurable)
Max. output current	25 mA
Load/output load current output	< 500 Ω (at 20 mA)
Status display	LED red (error), LED green (ready)

Switching output

Output name	No switching output
-------------	---------------------

Power supply

Nominal supply voltage	24 V DC (or 230 V AC)
Supply voltage range	19.2 V AC/DC ... 253 V AC/DC
Max. current consumption	< 33 mA (at 24 V DC)
	< 15 mA (for 230 V AC)
Power consumption	< 0.8 W (at 24 V DC)
	< 3.5 VA (for 230 V AC)

Connection data

Connection method	Screw connection
Conductor cross section solid min.	0.2 mm ²
Conductor cross section solid max.	2.5 mm ²
Conductor cross section AWG min.	24
Conductor cross section AWG max.	14
Conductor cross section flexible min.	0.2 mm ²
Conductor cross section flexible max.	2.5 mm ²
Stripping length	8 mm
Screw thread	M3

General

Maximum transmission error	≤ 0.5 % (of nominal range value under nominal conditions)
Maximum temperature coefficient	< 0.02 %/K
Temperature coefficient, typical	< 0.015 %/K
Step response (10-90%)	< 300 ms

Current transducers - MACX MCR-SL-CAC-12-I-UP - 2810638

Technical data

General

Pollution degree	2
Rated insulation voltage	300 V AC (to earth)
Test voltage input/output	4 kV (50 Hz, 1 min.)
Test voltage output/power supply	2 kV (50 Hz, 1 min.)
Electromagnetic compatibility	Conformance with EMC Directive 2004/108/EC
Noise emission	EN 61000-6-4
Noise immunity	EN 61000-6-2 When being exposed to interference, there may be minimal deviations.
Color	green
Housing material	Polyamide PA non-reinforced
Mounting position	any
Conformance	CE-compliant
ATEX	# II 3 G Ex nA IIC T4 Gc X

Classifications

eCl@ss

eCl@ss 4.0	27200303
eCl@ss 4.1	27200303
eCl@ss 5.0	27200303
eCl@ss 5.1	27200303
eCl@ss 6.0	27200303
eCl@ss 7.0	27142316
eCl@ss 8.0	27210123

ETIM

ETIM 3.0	EC001039
ETIM 4.0	EC002475
ETIM 5.0	EC002475

UNSPSC

UNSPSC 6.01	30211501
UNSPSC 7.0901	39121019
UNSPSC 11	39121006
UNSPSC 12.01	39121006
UNSPSC 13.2	39121006

Approvals

Approvals

Current transducers - MACX MCR-SL-CAC-12-I-UP - 2810638

Approvals

Approvals

EAC

Ex Approvals

ATEX

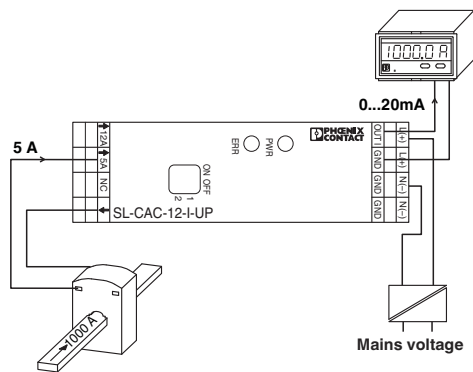
Approvals submitted

Approval details

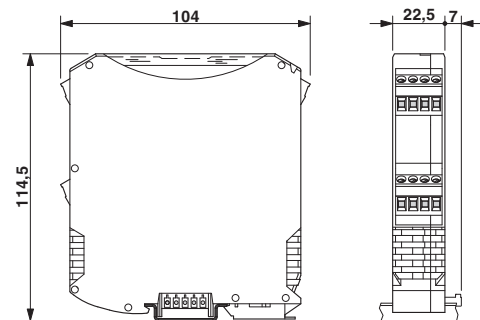
EAC

Drawings

Application drawing



Dimensional drawing



Current measurement

Circuit diagram

