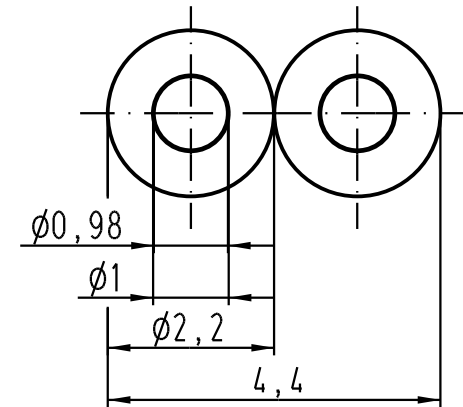
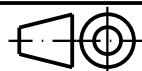


Data Transmission Grade

ITEM	UNIT	
CORE MATERIAL		PMMA
CLAD MATERIAL		Fluoro Polymer
JACKETING		PE (black)
NA		0,485
FIBER DIA.	mm	2x1,0±0,06
CABLE DIA.	mm	2,2x4,4±0,07
ATTENUATION ¹⁾	dB/m	0,15
TENSILE STRESS (ASTM-D 638)	N	>180
TEMPERATURE RANGE	°C	-40/+85
MIN. BENDING RADIUS ²⁾	mm	30
PAINT INHIBITS (as per VW-Audi-Seal-Standard 3.10.7 57 650)		non
HALOGEN FREE (as per DIN VDE 0472 part 813)		confirm



- 1) Cut back 52 - 2m, at 650nm, Incidental Angle=0,15rad
- 2) L=1m, Transmission Rate >95%



All Dimensions in mm
Original Size DIN A 4

Techn. Character.

Nicht tolerierte Masse/ Free size tolerances

	Dat.	Name	Masstab/Scale
Detail.	17.10.05	Ho	5:1
Insp.		WIT	
Stand.			

LWL-Kabel/fibre optic cable
2 x 1 / 2,2mm POF

411845

HARTING Electric GmbH & Co. KG
D-32339 Espelkamp



TB 20 20 001 1021

Blatt/ page

Mod. Dat. Name

Sub.

Mouser Electronics

Authorized Distributor

Click to View Pricing, Inventory, Delivery & Lifecycle Information:

[HARTING:](#)

[20200011021](#)