



Schroff

RATIOPACPRO

Cabinets 1

Wall mounted cases 2

Accessories for cabinets and wall mounted cases . 3

Climate control . 4

Electronics cases 5

Subracks/ 19" chassis 6

Front panels, plug-in units ... 7

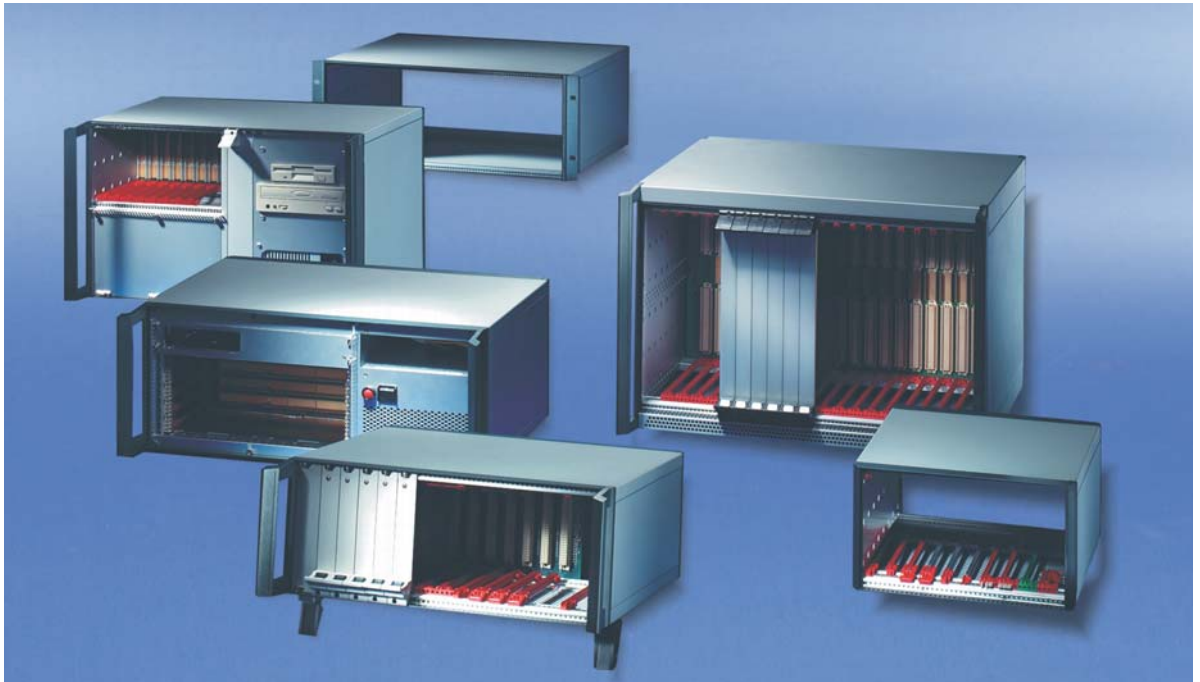
Systems 8

Power supply units 9

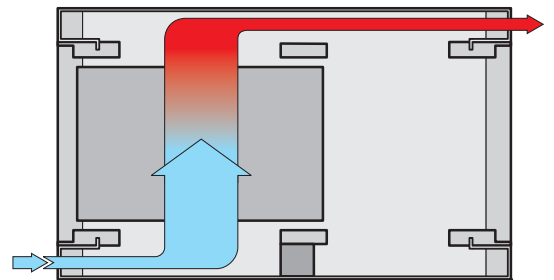
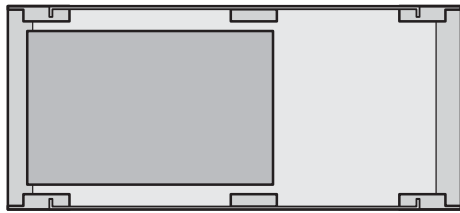
Backplanes ... 10

Connectors, front panel component system 11

Appendix 12



0680002



06801005

ratiopacPRO

Designed for insertion/extractor handles in accordance with IEC 60297-3-102 and IEEE 1101.10 for CompactPCI and VME64x applications

ratiopacPRO air

Designed for insertion/extractor handles in accordance with IEC 60297-3-102 and IEEE 1101.10 for CompactPCI and VME64x applications; 1 U extra for ventilation (1/2 U top, 1/2 U bottom)

Standards

- Inner and outer dimensions in accordance with:
IEC 60297-3-101 / IEEE 1101.1
IEC 60297-3-102 / IEEE 1101.10/11
- Type of protection IP20 in accordance with IEC 60529
- Earthing connections in accordance with:
DIN EN 50178 / VDE 0160
DIN EN 60950 / VDE 0805
DIN EN 61010-1 / VDE 0411 part 1
DIN EN 61010-1A2 / VDE 0411 part 1/A1
- EMC testing in accordance with VG 95373 part 15



06812001

Case with mounting plate



06800015

Prepared for CompactPCI and VME64x applications

The universal case with 19" compatible dimensions
e.g. for CompactPCI, VME64x and other applications

- Base level of shielding in basic versions upwards, additional EMC shielding can be retrofitted
- Symmetrical construction, identical front and rear (identical board cage for ratiopacPRO and ratiopacPRO air)
- Converts simply from desktop to 19" rack-mounted case and back
- No visible screws; cladding parts removable without tools

ratiopacPRO
 Complete cases .. 5.8
 Dimensions 5.9
 Cases 5.10
 Tower cases 5.12

ratiopacPRO air
 Cases 5.14
 Complete cases .. 5.13
 Dimensions 5.16
 Radial fan units .. 5.17
 EMC gasketing ... 5.18

Accessories
 Front panels 5.21
 Rear panels 5.22
 Feet 5.23
 Air filters 5.23
 GND/earthing kit 5.24
 Front handles 5.24
 19" brackets 5.25
 Cable holder..... 5.26
 Compartment seals..... 5.26
 Strap handles 5.26
 Tip-up carrying handles 5.27
 Assembly kit..... 5.28
 Fitting position of horizontal rails... 5.29
 Horizontal rails... 5.31
 Threaded inserts, perforated strips, insulation strips .. 5.35
 Z-rails, perforated rails..... 5.35
 Divider plates 5.36
 Mounting plates .. 5.37
 Horizontal board assembly 5.38
 Combined mounting 5.39
 Guide rails and ESD clips 5.40

ServicePLUS... 5.4



ratiopacPRO

- Case with cover strip, front handles or 19" brackets (height 2 U ... 6 U)
- Complete case with cover strip and pre-mounted components, with basic shielding (height 3 U, 6 U), additional EMC shielding retrofittable
- Tower case (width 4 U)

06800005



ratiopacPRO air

- ratiopacPRO air with additional 1 U height for ventilation
- Case with cover strips, front handles or 19" brackets (height 4 U, 5 U, 7 U)
- Complete case with cover strips and pre-mounted components, with basic shielding (height 4 U, 7 U), additional EMC shielding retrofittable

06800005

ServicePLUS from page 5.4

- e.g. modifications (special colours or sizes)
- e.g. custom solutions (cut-outs in top cover, base plate or side panels)
- e.g. assembly service from 1 piece

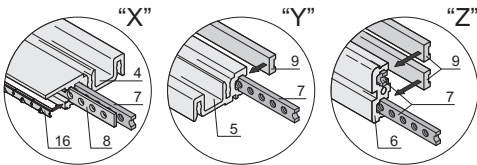
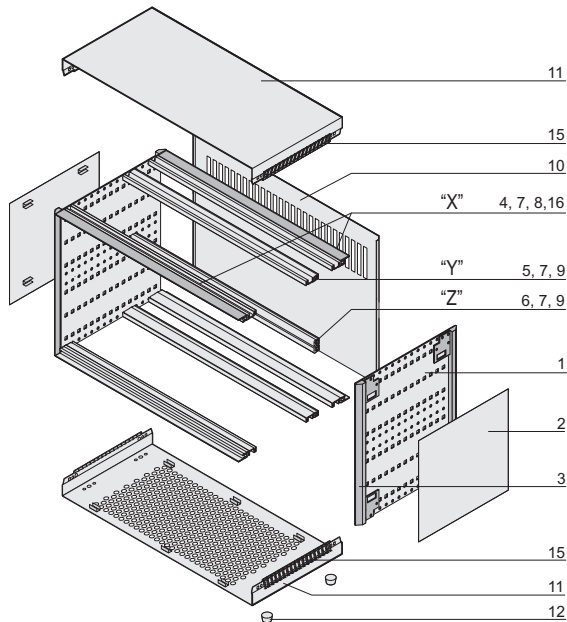
www.schroff.biz/ServicePLUS



Desk-top cases - *ratiopac*PRO

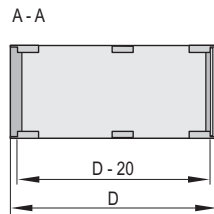
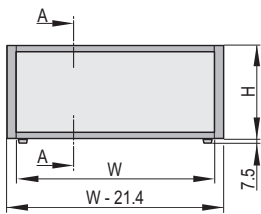


06812003



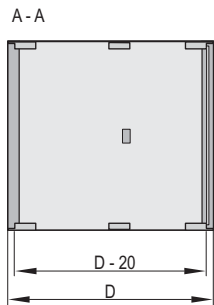
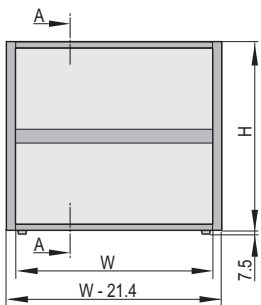
01802050

01808055



01808051

3 U



01808052

6 U

ratiopacPRO complete cases

- Desk-top enclosure with pre-configured components, in accordance to IEC 60297-3-101; prepared for 19" components, e.g. plug-in units and euroboards
- Ventilation slit in base plate
- Rear panel perforated

Delivery comprises (in kit form)

| Item | Qty | Description | |
|------|-----|-------------|---|
| | | without EMC | with EMC |
| 1 | 2 | 2 | Side panel, Al, 2 mm, passivated |
| 2 | 2 | 2 | Side plate, Al, 1 mm, visible surfaces RAL 9006 |
| 3 | 4 | 4 | Cover strip, Al die-cast, RAL 7016, pre-fitted only on EMC version |
| 4 | 4 | 4 | Horizontal rail, type H-LD, Al, visible surfaces RAL 7016 |
| 5 | 2 | 2 | Horizontal rail, centre (top/bottom), type H-ST, Al |
| 6 | 1 | 1 | Horizontal rail, centre (on 6 U only), type ST, Al |
| 7 | 6/8 | 6/8 | 3 U/6 U: threaded inserts, St, pre-mounted, for indirect backplane mounting with insulation strips |
| 8 | - | 4 | Perforated strip, Al, 1 mm, pre-fitted |
| 9 | 4 | 4 | Insulation strip, PBT, UL 94 V-0 |
| 10 | 1 | 1 | Rear panel, perforated, Al, 2.5 mm |
| 11 | 2 | 2 | Top cover and base plate, Al, 1 mm, internal surfaces conductive, visible surfaces RAL 9006, with GND/earthing connection, base plate with honeycomb grid ventilation |
| 12 | 4 | 4 | Case foot with anti-slip protection, UL 94 V-0, PC black |
| 14 | - | 1 | EMC support profile for side panel, pre-mounted (kit) |
| 15 | - | 4 | EMC contact strip for cover plate, pre-mounted (kit) |
| 16 | - | 4 | EMC contact strip front panel - horizontal rails |
| 17 | 1 | 1 | GND/earthing kit, assembly kit |

Order Information

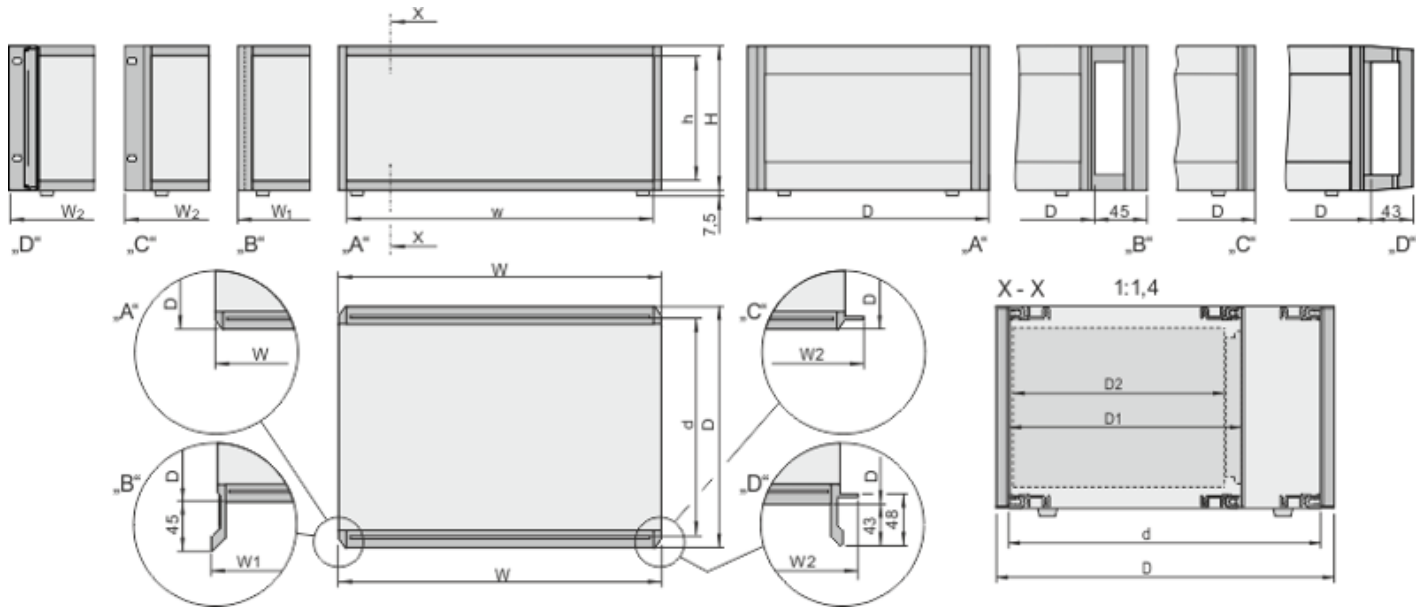
| Height H | Width W | Depth D | Unshielded | EMC shielded |
|----------|---------|---------|------------|--------------|
| | | | Part no. | Part no. |
| 3 | HP | 255.5 | 24572-001 | 24572-050 |
| 3 | 42 | 255.5 | 24572-002 | 24572-051 |
| 3 | 42 | 315.5 | 24572-003 | 24572-052 |
| 3 | 63 | 315.5 | 24572-004 | 24572-053 |
| 3 | 84 | 315.5 | 24572-005 | 24572-054 |
| 3 | 84 | 375.5 | 24572-006 | 24572-055 |
| 3 | 84 | 435.5 | 24572-007 | 24572-056 |
| 6 | 42 | 315.5 | 24572-015 | 24572-064 |
| 6 | 63 | 315.5 | 24572-016 | 24572-065 |
| 6 | 84 | 315.5 | 24572-017 | 24572-066 |
| 6 | 84 | 375.5 | 24572-018 | 24572-067 |
| 6 | 84 | 435.5 | 24572-019 | 24572-068 |

Note

- Dimension drawings and mounting depths see page 5.9
- Components see page 5.18
- Front handles and 19" mounting brackets from page 5.24
- Guide rails from page 5.40

Desk-top cases - *ratiopac*PRO

Dimension drawings RatiopacPRO



RatiopacPRO with A - bezel; B - front handle; C - 19" mounting bracket; D - 19" mounting bracket with front handle

rppr6637

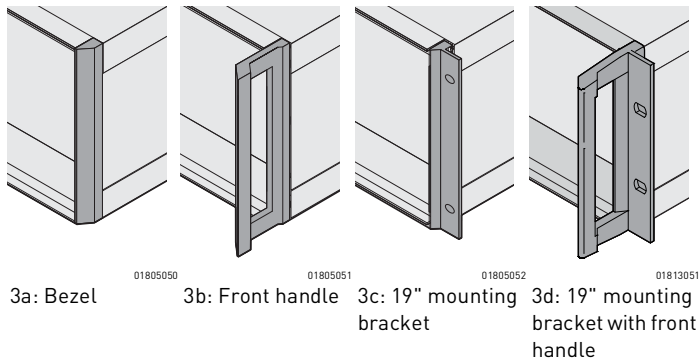
Dimensions table RatiopacPRO

| Height | | Width | | | | | | Depth | | | |
|--------|------------|------------|------------|------------|-------------|-------------|------------|----------------------|------------------------|------------------------|----------------------|
| in U | H in mm | h in mm | w in HP | W in mm | w1 in mm | w2 in mm | w in mm | D | d | D1 | d2 |
| | | | | | | | | Total depth in mm | Useable depth in mm | Plug-in depth in mm | Board depth in mm |
| 2 | 88.10 | 67.90 | 28 | 164.42 | 177.62 | 198.12 | 142.82 | 255.5 | 235.5 | 175.5 | 160 |
| | | | 42 | 235.54 | 248.74 | 269.24 | 213.94 | | | 235.5 | 220 |
| | | | 63 | 342.42 | 355.42 | 375.92 | 320.62 | | | 175.5 | 160 |
| | | | 84 | 448.90 | 462.10 | 482.60 | 427.30 | | | 235.5 | 220 |
| 3 | 132.55 | 112.35 | 28 | 164.42 | 177.62 | 198.12 | 142.82 | 315.5 | 295.5 | 295.5 | 280 |
| | | | 42 | 235.54 | 248.74 | 269.24 | 213.94 | | | 175.5 | 160 |
| | | | 63 | 342.42 | 355.42 | 375.92 | 320.62 | | | 235.5 | 220 |
| | | | 84 | 448.90 | 462.10 | 482.60 | 427.30 | | | 295.5 | 280 |
| 4 | 177.00 | 156.80 | 28 | 164.42 | 177.62 | 198.12 | 142.82 | 435.5 | 415.5 | 355.5 | 340 |
| | | | 42 | 235.54 | 248.74 | 269.24 | 213.94 | | | 175.5 | 160 |
| | | | 63 | 342.42 | 355.42 | 375.92 | 320.62 | | | 235.5 | 220 |
| | | | 84 | 448.90 | 462.10 | 482.60 | 427.30 | | | 295.5 | 280 |
| 5 | 221.45 | 201.25 | 28 | 164.42 | 177.62 | 198.12 | 142.82 | 495.5 | 475.5 | 355.5 | 340 |
| | | | 42 | 235.54 | 248.74 | 269.24 | 213.94 | | | 175.5 | 160 |
| | | | 63 | 342.42 | 355.42 | 375.92 | 320.62 | | | 235.5 | 220 |
| | | | 84 | 448.90 | 462.10 | 482.60 | 427.30 | | | 295.5 | 280 |
| 6 | 265.90 | 245.70 | 28 | 164.42 | 177.62 | 198.12 | 142.82 | 495.5 | 475.5 | 355.5 | 340 |
| | | | 42 | 235.54 | 248.74 | 269.24 | 213.94 | | | 175.5 | 160 |
| | | | 63 | 342.42 | 355.42 | 375.92 | 320.62 | | | 235.5 | 220 |
| | | | 84 | 448.90 | 462.10 | 482.60 | 427.30 | | | 295.5 | 280 |

Components mountable in 15 mm depth grid



Desk-top cases - *ratiopac*PRO



3a: Bezel
3b: Front handle
3c: 19" mounting bracket
3d: 19" mounting bracket with front handle

RatiopacPRO case

- Cases for individual assembly with 19" standard components or specific internal mounting, e.g. with mounting plate
- Unshielded (EMC shielding retrofittable)
- Symmetrical design, identical front and rear side
- Four versions:
 - Bezels
 - Front handles
 - 19" mounting brackets
 - 19" mounting brackets with front handles
- For board depth 160 mm, 220 mm, 280 mm, and 340 mm (depending on case depth)

Delivery comprises (kit)

| Item | Qty | Description |
|------|-----|---|
| 1 | 2 | Side panel, Al, 2 mm, chromated |
| 2 | 2 | Side plate, Al, 1 mm, visible surfaces powder-coated, RAL 9006 |
| 3 | 2 | Rear trim, Al die-cast, powder-coated, RAL 7016 |
| 3a | 2 | Bezel, Al die-cast, powder-coated, RAL 7016 |
| 3b | 2 | Front handle, Al die-cast, powder-coated, RAL 7016 |
| 3c | 2 | 19" mounting bracket, Al diecast, powder-coated, RAL 7016 |
| 3d | 2 | 19" mounting bracket with front handle, Al diecast, powder-coated, RAL 7016 |
| 4 | 4 | Horizontal rail, type H-LD, Al, visible surfaces powder-coated, RAL 7016 |
| 11 | 2 | Top cover and base plate, Al, 1 mm, inner sides conductive, visible surfaces powder-coated, RAL 9006, with GND/earthing connections, base plate with honeycomb grid ventilation |
| 12 | 4 | Case foot with anti-slip protection, UL 94 V-0, PC black |
| 13 | 1 | Fixing materials kit |

3a, 3b, 3c or 3d according to selection

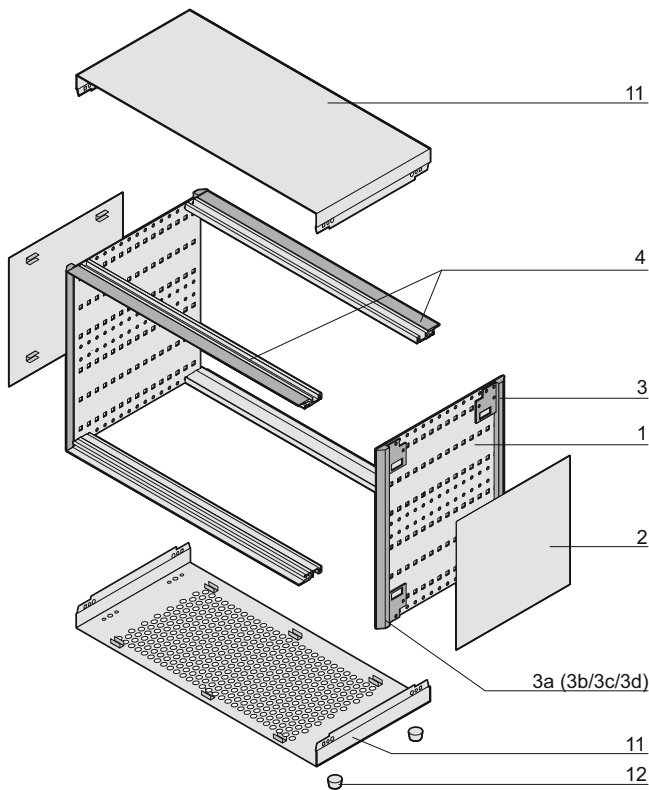
Note

- Order information, see following page

Order Information

Accessories

| | |
|--|------------------|
| Earthing kit CU wire, 1.5 mm ² , PVC sleeve, green/yellow, 1 kit | 24571-380 |
| Al diecast foot with tip-up silver, 1 piece (SPQ 10) | 10603-002 |
| Plastic tip-up foot silver, similar to RAL 9006, PU 4 pieces | 20603-001 |
| Plastic tip-up foot anthracite, similar to RAL 7016, 4 pieces | 20603-002 |
| Stacking aid silver, similar to RAL 9006, PA, UL 94 V-0, PU 4 pieces | 20603-004 |
| Stacking aid anthracite, similar to RAL 7016, PA, UL 94 V-0, PU 4 pieces | 20603-003 |



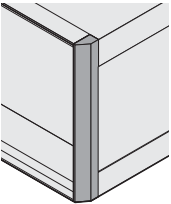
Drawing with front cover strip



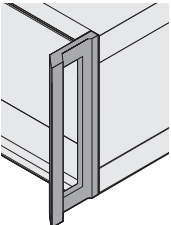
ServicePLUS see page 5.4

Desk-top cases - *ratiopac* PRO

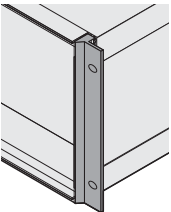
RatiopacPRO case

| | Width W HP | Depth D mm | Case height H | | | | | |
|--|------------------|------------------|------------------|------------------|------------------------|---------------|-----------|-----------|
| | | | 2 U | | Side panel subdivision | | | |
| | | | Part no. | Part no. | Part no. | Part no. | | Part no. |
| | | | | | | (1 U-3 U-1 U) | (3 U-2 U) | |
| | | | | | 1 | 3 | | |
| | | | | | 3 | 2 | | |
| | | | | | 1 | | | |
| Cover strips  | 28 | 255.5 | 24572-500 | 24571-002 | 24571-050 | 24572-117 | 24572-261 | 24571-098 |
| | 28 | 315.5 | 24572-503 | 24571-005 | 24571-053 | 24572-120 | 24572-264 | 24571-101 |
| | 42 | 255.5 | 24572-510 | 24571-014 | 24571-062 | 24572-129 | 24572-273 | 24571-110 |
| | 42 | 315.5 | 24572-513 | 24571-017 | 24571-065 | 24572-132 | 24572-276 | 24571-113 |
| | 42 | 255.5 | 24572-514 | 24571-018 | 24571-066 | 24572-133 | 24572-277 | 24571-114 |
| | 63 | 255.5 | 24572-520 | 24571-026 | 24571-074 | 24572-141 | 24572-285 | 24571-122 |
| | 63 | 315.5 | 24572-523 | 24571-029 | 24571-077 | 24572-144 | 24572-288 | 24571-125 |
| | 63 | 375.5 | 24572-524 | 24571-030 | 24571-078 | 24572-145 | 24572-289 | 24571-126 |
| | 84 | 255.5 | 24572-530 | 24571-038 | 24571-086 | 24572-153 | 24572-297 | 24571-134 |
| | 84 | 315.5 | 24572-533 | 24571-041 | 24571-089 | 24572-156 | 24572-300 | 24571-137 |
| | 84 | 375.5 | 24572-534 | 24571-042 | 24571-090 | 24572-157 | 24572-301 | 24571-138 |
| | 84 | 435.5 | 24572-535 | 24571-043 | 24571-091 | 24572-158 | 24572-302 | 24571-139 |
| | 84 | 495.5 | 24572-536 | 24571-044 | 24571-092 | 24572-159 | 24572-303 | 24571-140 |

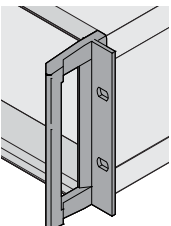
RPPR6629

| | | | | | | | | |
|---|----|-------|---|------------------|------------------|-----------|-----------|-----------|
| Front handles  | 28 | 255.5 | - | 24571-702 | 24571-750 | 24572-213 | 24572-357 | 24571-798 |
| | 28 | 315.5 | - | 24571-705 | 24571-753 | 24572-216 | 24572-360 | 24571-801 |
| | 42 | 255.5 | - | 24571-714 | 24571-762 | 24572-225 | 24572-369 | 24571-810 |
| | 42 | 315.5 | - | 24571-717 | 24571-765 | 24572-228 | 24572-372 | 24571-813 |
| | 42 | 375.5 | - | 24571-718 | 24571-766 | 24572-229 | 24572-373 | 24571-814 |
| | 63 | 255.5 | - | 24571-726 | 24571-774 | 24572-237 | 24572-381 | 24571-822 |
| | 63 | 315.5 | - | 24571-729 | 24571-777 | 24572-240 | 24572-384 | 24571-825 |
| | 63 | 375.5 | - | 24571-730 | 24571-778 | 24572-241 | 24572-385 | 24571-826 |
| | 84 | 255.5 | - | 24571-738 | 24571-786 | 24572-249 | 24572-393 | 24571-834 |
| | 84 | 315.5 | - | 24571-741 | 24571-789 | 24572-252 | 24572-396 | 24571-837 |
| | 84 | 375.5 | - | 24571-742 | 24571-790 | 24572-253 | 24572-397 | 24571-838 |
| | 84 | 435.5 | - | 24571-743 | 24571-791 | 24572-254 | 24572-398 | 24571-839 |
| | 84 | 495.5 | - | 24571-744 | 24571-792 | 24572-255 | 24572-399 | 24571-840 |

01805050

| | | | | | | | | |
|---|----|-------|------------------|------------------|------------------|-----------|-----------|------------------|
| 19" mounting brackets  | 84 | 255.5 | 24572-570 | 24571-438 | 24571-486 | 24572-201 | 24572-345 | 24571-534 |
| | 84 | 315.5 | 24572-573 | 24571-441 | 24571-489 | 24572-204 | 24572-348 | 24571-537 |
| | 84 | 375.5 | 24572-574 | 24571-442 | 24571-490 | 24572-205 | 24572-349 | 24571-538 |
| | 84 | 435.5 | 24572-575 | 24571-443 | 24571-491 | 24572-206 | 24572-350 | 24571-539 |
| | 84 | 495.5 | 24572-576 | 24571-444 | 24571-492 | 24572-207 | 24572-351 | 24571-540 |

01805052

| | | | | | | | | |
|--|----|-------|------------------|------------------|------------------|---|---|------------------|
| 19" mounting brackets with front handles  | 84 | 255.5 | 24572-620 | 24572-630 | 24572-640 | - | - | 24572-660 |
| | 84 | 315.5 | 24572-623 | 24572-633 | 24572-643 | - | - | 24572-663 |
| | 84 | 375.5 | 24572-624 | 24572-634 | 24572-644 | - | - | 24572-664 |
| | 84 | 435.5 | 24572-625 | 24572-635 | 24572-645 | - | - | 24572-665 |
| | 84 | 495.5 | 24572-626 | 24572-636 | 24572-646 | - | - | 24572-666 |

01813051

Note

- Dimension drawings and mounting depths see page 5.9
- Components see page 5.18

Part number in bold face type: ready for despatch within 2 working days
Part number in normal type: ready for despatch within 10 working days

Desk-top cases - *ratiopacPRO*

ratiopacPRO tower with 4 U width

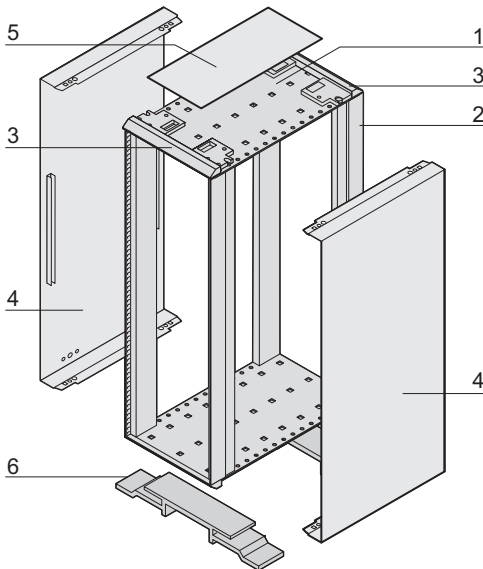


- Symmetrical design, identical front and rear side
- Mounting space 4 U, 84 HP, depth 475 mm
- Case based on ratiopacPRO
- Unshielded (EMC shielding retrofittable)

Delivery comprises (in kit form)

| Item | Qty | Description |
|------|-----|--|
| 1 | 2 | Base/top cover, Al, 2 mm, passivated |
| 2 | 4 | Horizontal rail, type H-LD, Al, visible surface powder-coated, RAL 7016 |
| 3 | 4 | Cover, Al die-cast, RAL 7016 |
| 4 | 2 | Lateral cover plate, Al, 1 mm, with GND/earthing connection, visible surfaces powder-coated, internal surface conductive, RAL 9006 |
| 5 | 1 | Top cover plate, Al, 1 mm, visible surface powder-coated, RAL 9006 |
| 6 | 2 | Case foot with anti-slip protection, Al, powder-coated, RAL 7016 |
| 7 | 1 | Assembly kit |

06802001

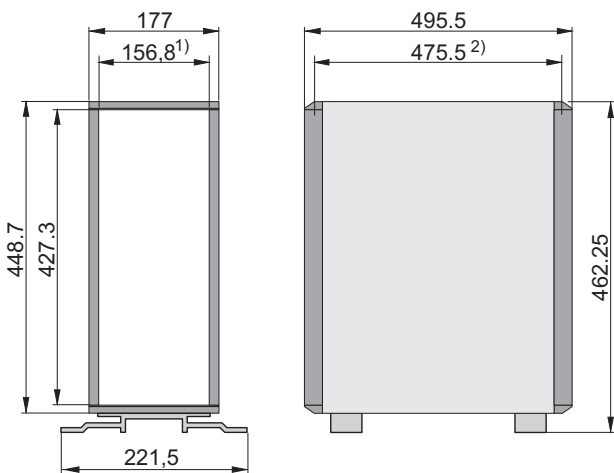


Order Information

| Width | Part no. |
|-------|-----------|
| U | |
| 4 | 24571-395 |

Note

- Components see page 5.18



01802054
2)

1) = open space between the horizontal rails
= max. mounting depth

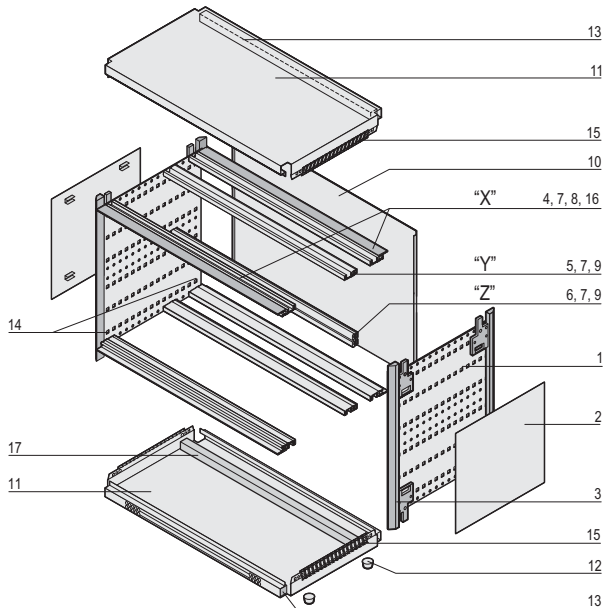


Desk-top cases - *ratiopacPRO*air

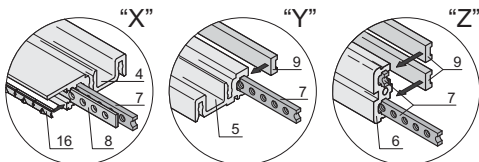
ratiopacPRO air complete cases



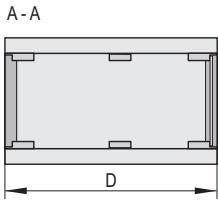
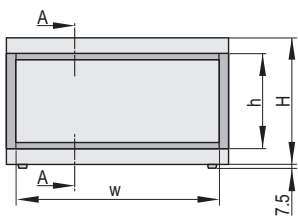
06811001



01802052

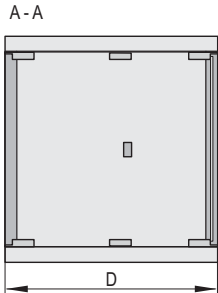
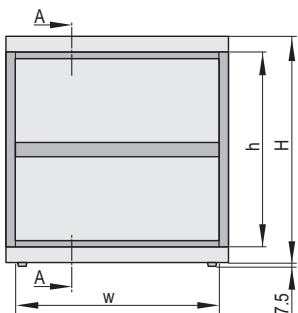


01808055



01808053

3 U



01808054

6 U

- The case has 2 x 1/2 U clearance for ventilation
- Case with cover strip; with pre-mounted components for euroboards and backplane with insulation strip; no visible screws
- Symmetrical design, identical front and rear honeycomb grid ventilation in top cover and base plate
- Available in two versions:
 - unshielded (EMC shielding retrofittable)
 - with EMC shielding fitted

Delivery comprises (in kit form)

| Item | Qty | without EMC | with EMC | Description |
|------|-----|-------------|----------|---|
| 1 | 2 | 2 | | Side panel, Al, 2 mm, passivated |
| 2 | 2 | 2 | | Side plate, Al, 1 mm, visible surface RAL 9006 |
| 3 | 4 | 4 | | Cover, die-cast zinc, RAL 7016, pre-mounted on EMC version only |
| 4 | 4 | 4 | | Horizontal rail, type H-LD, Al, visible surface RAL 7016 |
| 5 | 2 | 2 | | Horizontal rail, centre (top/bottom), type H-ST, Al |
| 6 | 1 | 1 | | Horizontal rail, centre (on 6 U only), type ST, Al |
| 7 | 6/8 | 6/8 | | 4 U/7 U: threaded inserts, St, pre-mounted, for indirect backplane mounting with insulation strips |
| 8 | - | 4 | | Perforated strip, pre-mounted |
| 9 | 4 | 4 | | Insulation strip, PBT, UL 94 V-0 |
| 10 | 1 | 1 | | Rear panel, Al, 2.5 mm |
| 11 | 2 | 2 | | Top cover and base plate with honeycomb grid ventilation, Al, 1 mm, internal surface conductive, visible surface RAL 9006, with GND/earthing connection |
| 12 | 4 | 4 | | Case foot with anti-slip protection, UL 94 V-0, PC, black |
| 13 | 2 | 2 | | Air filter |
| 14 | - | 1 | | EMC support profile for side panel, fitted (kit) |
| 15 | - | 4 | | EMC contact strip for cover plate, pre-mounted (kit) |
| 16 | - | 4 | | EMC contact strip front panel - horizontal rails |
| 17 | 1 | 1 | | Compartment seal, PE foam, self-adhesive, temperature range -20 °C ... +85 °C |
| 18 | 1 | 1 | | GND/earthing kit, assembly kit |

Order Information

| Case height H | PCB height h | Width w | Depth D | Unshielded Part no. | EMC shielded Part no. |
|---------------|--------------|---------|---------|---------------------|-----------------------|
| U | U | HP | mm | | |
| 4 | 3 | 28 | 255.5 | 24572-025 | 24572-074 |
| 4 | 3 | 42 | 255.5 | 24572-026 | 24572-075 |
| 4 | 3 | 42 | 315.5 | 24572-027 | 24572-076 |
| 4 | 3 | 63 | 315.5 | 24572-028 | 24572-077 |
| 4 | 3 | 84 | 315.5 | 24572-029 | 24572-078 |
| 4 | 3 | 84 | 375.5 | 24572-030 | 24572-079 |
| 4 | 3 | 84 | 435.5 | 24572-031 | 24572-080 |
| 7 | 6 | 42 | 315.5 | 24572-040 | 24572-088 |
| 7 | 6 | 63 | 315.5 | 24572-041 | 24572-089 |
| 7 | 6 | 84 | 315.5 | 24572-042 | 24572-090 |
| 7 | 6 | 84 | 375.5 | 24572-043 | 24572-091 |
| 7 | 6 | 84 | 435.5 | 24572-044 | 24572-092 |

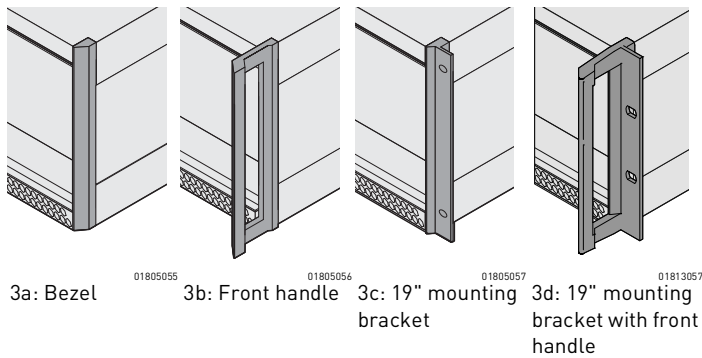
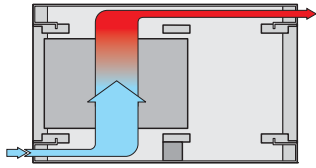
Note

- Dimension drawings and mounting depths see page 5.16
- Components see page 5.18
- Front handles and 19" mounting brackets from page 5.24
- Guide rails from page 5.40

Distributed by **calgreg** 401-732-8100
electronics

Desk-top cases - *ratiopac* PROair

RatiopacPRO air case



- The case has 2 x 1/2 U clearances for ventilation beneath and above the board cage
- Cases for individual assembly with 19" standard components or specific internal mounting, e.g. with mounting plate
- Unshielded (EMC shielding retrofittable)
- Symmetrical design, identical front and rear side
- For board depth 160 mm, 220 mm, 280 mm, and 340 mm (depending on case depth)
- Online download of 3D CAD data
- Four versions:
 - Bezels
 - Front handles
 - 19" mounting brackets
 - With 19" mounting brackets and front handles

Delivery comprises (in kit form)

| Item | Qty | Description |
|------|-----|--|
| 1 | 2 | Side panel, Al, 2 mm, chromated |
| 2 | 2 | Side plate, Al, 1 mm, visible surfaces powder-coated, RAL 9006 |
| 3 | 2 | Rear trim, Al die-cast, powder-coated, RAL 7016 |
| 3a | 2 | Bezel, Al die-cast, powder-coated, RAL 7016 |
| 3b | 2 | Front handle, Al die-cast, powder-coated, RAL 7016 |
| 3c | 2 | 19" mounting angle, Al die-cast, powder-coated, RAL 7016 |
| 3d | 2 | 19" mounting bracket with front handle, Al diecast, powder-coated, RAL 7016 |
| 4 | 4 | Horizontal rail, type H-LD, Al, visible surfaces powder-coated, RAL 7016 |
| 11 | 2 | 1 Top cover and base plate, Al, 1 mm, internal surfaces conductive, visible surfaces powder-coated, RAL 9006, with GND/earthing connection, top cover and base plate with ventilation comb |
| 12 | 4 | Case foot with anti-slip protection, UL 94 V-0, PC black |
| 13 | 2 | Air filters |
| 14 | 1 | Fixing materials kit |

3a, 3b, 3c or 3d according to selection

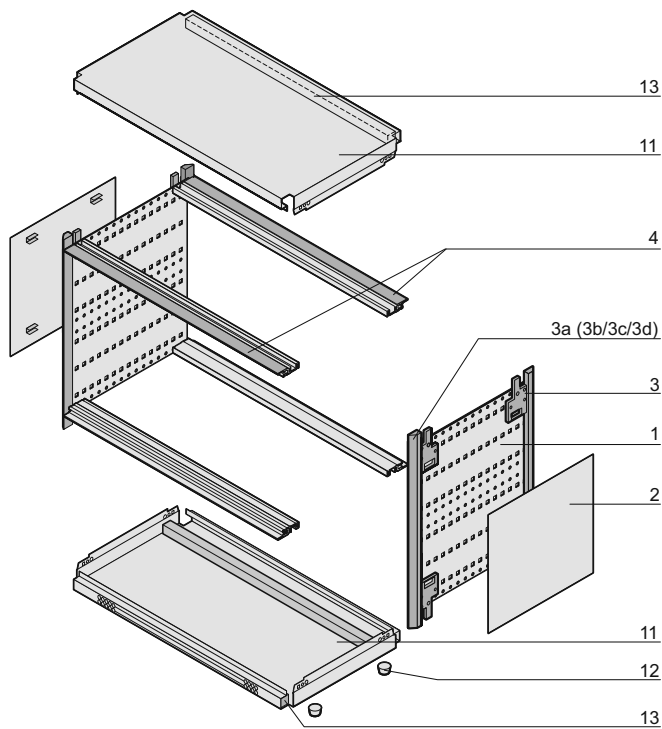
Note

- Order information see following page

Order Information

Accessories

| | |
|--|------------------|
| Earthing kit CU wire, 1.5 mm ² , PVC sleeve, green/yellow, 1 kit | 24571-380 |
| Al diecast foot with tip-up silver, 1 piece (SPQ 10) | 10603-002 |
| Plastic tip-up foot silver, similar to RAL 9006, PU 4 pieces | 20603-001 |
| Plastic tip-up foot anthracite, similar to RAL 7016, 4 pieces | 20603-002 |
| Stacking aid silver, similar to RAL 9006, PA, UL 94 V-0, PU 4 pieces | 20603-004 |
| Stacking aid anthracite, similar to RAL 7016, PA, UL 94 V-0, PU 4 pieces | 20603-003 |



Drawing with front cover strip

01813066



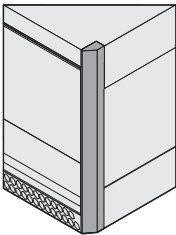
ServicePLUS see page 5.4

Desk-top cases - *ratio*pacPROair

RatiopacPRO air case

| Width W | Depth D | Case height H | | |
|---------|---------|---------------|-----|-----|
| | | 4 U | 5 U | 7 U |
| | | PCB height h | | |
| | | | 3 | |
| | | | 1 | |

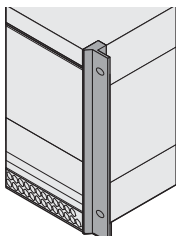
| | HP | mm | Part no. | Part no. | Part no. |
|--|----|----|----------|----------|----------|
|--|----|----|----------|----------|----------|

| | | | | | | |
|---|---------------|----|-------|-----------|------------------|-----------|
|  | Bezels | 28 | 255.5 | 24571-146 | 24571-194 | 24571-242 |
| | | 28 | 315.5 | 24571-149 | 24571-197 | 24571-245 |
| | | 42 | 255.5 | 24571-158 | 24571-206 | 24571-254 |
| | | 42 | 315.5 | 24571-161 | 24571-209 | 24571-257 |
| | | 42 | 375.5 | 24571-162 | 24571-210 | 24571-258 |
| | | 63 | 255.5 | 24571-170 | 24571-218 | 24571-266 |
| | | 63 | 315.5 | 24571-173 | 24571-221 | 24571-269 |
| | | 63 | 375.5 | 24571-174 | 24571-222 | 24571-270 |
| | | 63 | 435.5 | 24571-175 | 24571-223 | 24571-271 |
| | | 84 | 255.5 | 24571-182 | 24571-230 | 24571-278 |
| | | 84 | 315.5 | 24571-185 | 24571-233 | 24571-281 |
| | | 84 | 375.5 | 24571-186 | 24571-234 | 24571-282 |
| | | 84 | 435.5 | 24571-187 | 24571-235 | 24571-283 |
| | | 84 | 495.5 | 24571-188 | 24571-236 | 24571-284 |

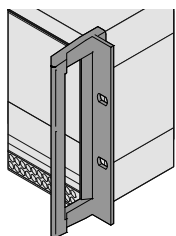
01805055

| | | | | | | |
|---|----------------------|----|-------|-----------|-----------|-----------|
|  | Front handles | 28 | 255.5 | 24571-846 | 24571-894 | 24571-942 |
| | | 28 | 315.5 | 24571-849 | 24571-897 | 24571-945 |
| | | 42 | 255.5 | 24571-858 | 24571-906 | 24571-954 |
| | | 42 | 315.5 | 24571-861 | 24571-909 | 24571-957 |
| | | 42 | 375.5 | 24571-862 | 24571-910 | 24571-958 |
| | | 42 | 435.5 | 24571-863 | 24571-911 | 24571-959 |
| | | 63 | 315.5 | 24571-873 | 24571-921 | 24571-969 |
| | | 63 | 375.5 | 24571-874 | 24571-922 | 24571-970 |
| | | 63 | 435.5 | 24571-875 | 24571-923 | 24571-971 |
| | | 84 | 255.5 | 24571-882 | 24571-930 | 24571-978 |
| | | 84 | 315.5 | 24571-885 | 24571-933 | 24571-981 |
| | | 84 | 375.5 | 24571-886 | 24571-934 | 24571-982 |
| | | 84 | 435.5 | 24571-887 | 24571-935 | 24571-983 |
| | | 84 | 495.5 | 24571-888 | 24571-936 | 24571-984 |

01805056

| | | | | | | |
|---|------------------------------|----|-------|------------------|------------------|------------------|
|  | 19" mounting brackets | 84 | 255.5 | 24571-582 | 24571-630 | 24571-678 |
| | | 84 | 315.5 | 24571-585 | 24571-633 | 24571-681 |
| | | 84 | 375.5 | 24571-586 | 24571-634 | 24571-682 |
| | | 84 | 435.5 | 24571-587 | 24571-635 | 24571-683 |
| | | 84 | 495.5 | 24571-588 | 24571-636 | 24571-684 |

01805057

| | | | | | | |
|---|---|----|-------|------------------|---|------------------|
|  | With 19" mounting brackets and front handles | 84 | 255.5 | 24572-670 | - | 24572-690 |
| | | 84 | 315.5 | 24572-673 | - | 24572-693 |
| | | 84 | 375.5 | 24572-674 | - | 24572-694 |
| | | 84 | 435.5 | 24572-675 | - | 24572-695 |
| | | 84 | 495.5 | 24572-676 | - | 24572-696 |

01805057

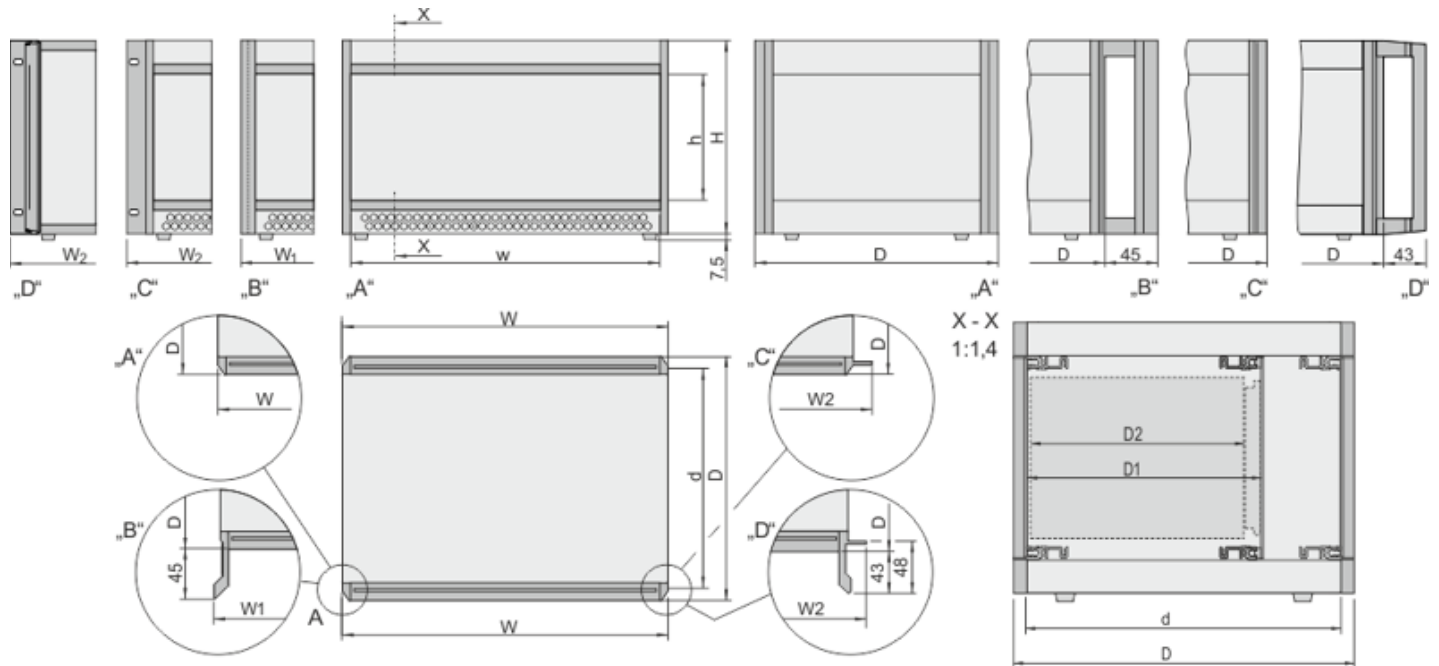
Note

- Dimension drawings and mounting depths see page 5.16
- Components see page 5.18

Distributed by calgreg 401-732-8100 electronics

Desk-top cases - *ratio*pac^{PRO}air

RatiopacPRO air dimension drawings



01805058

RatiopacPRO air with A - bezel; B - front handle; C - 19" mounting bracket; D - 19" mounting bracket with front handle

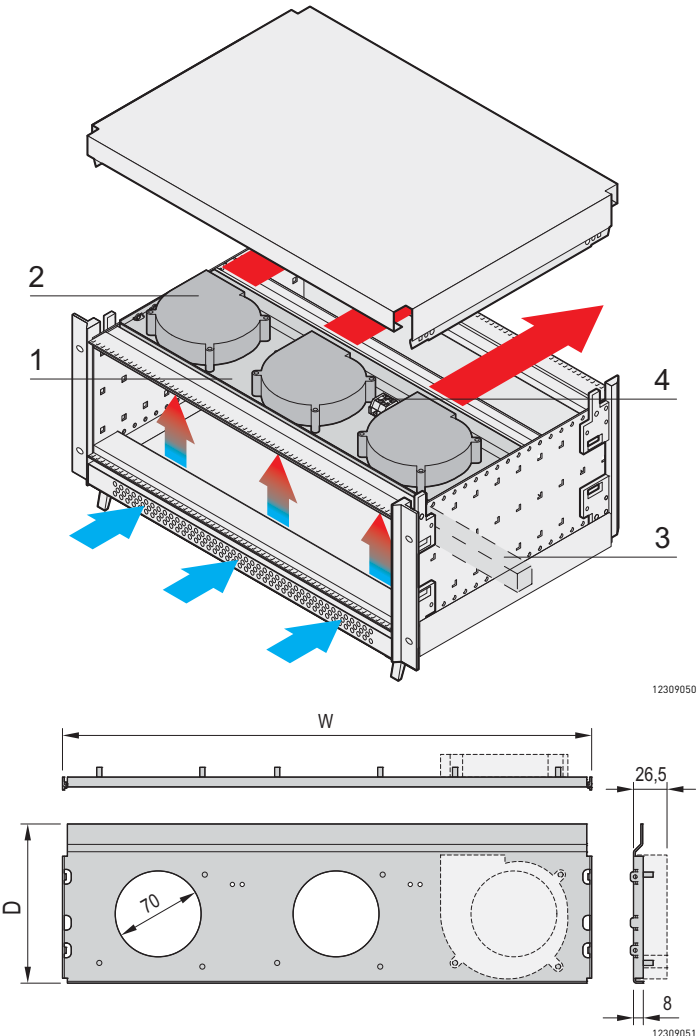
Dimensions table RatiopacPRO air

| Height | | Width | | | | | | Depth | | | |
|--------|------------|------------|------------|------------|-------------|-------------|------------|---------------------------|----------------------------|------------------------------|----------------------------|
| in U | H in mm | H in mm | W in HP | W in mm | W1 in mm | W2 in mm | w in mm | D Total depth in mm | d Usable depth in mm | D1 Plug-in depth in mm | d2 Board depth in mm |
| 4 | 177.00 | 112.35 | 28 | 164.42 | 177.62 | 198.12 | 142.82 | 255.5 | 235.5 | 175 | 160 |
| | | | 42 | 235.54 | 248.74 | 269.24 | 213.94 | | | 235 | 220 |
| | | | 63 | 342.42 | 355.42 | 375.92 | 320.62 | | | 175 | 160 |
| 5 | 221.45 | 156.80 | 84 | 448.90 | 462.10 | 482.60 | 427.30 | 315.5 | 295.5 | 235 | 220 |
| | | | 42 | 235.54 | 248.74 | 269.24 | 213.94 | | | 295 | 280 |
| | | | 63 | 342.42 | 355.42 | 375.92 | 320.62 | | | 175 | 160 |
| 7 | 310.35 | 245.70 | 84 | 448.90 | 462.10 | 482.60 | 427.30 | 375.5 | 355.5 | 235 | 220 |
| | | | 42 | 235.54 | 248.74 | 269.24 | 213.94 | | | 295 | 280 |
| | | | 63 | 342.42 | 355.42 | 375.92 | 320.62 | | | 355 | 340 |
| | | | 84 | 448.90 | 462.10 | 482.60 | 427.30 | 435.5 | 415.5 | 175 | 160 |
| | | | 42 | 235.54 | 248.74 | 269.24 | 213.94 | | | 235 | 220 |
| | | | 63 | 342.42 | 355.42 | 375.92 | 320.62 | | | 295 | 280 |
| | | | 84 | 448.90 | 462.10 | 482.60 | 427.30 | 495.5 | 475.5 | 175 | 160 |
| | | | 42 | 235.54 | 248.74 | 269.24 | 213.94 | | | 235 | 220 |
| | | | 63 | 342.42 | 355.42 | 375.92 | 320.62 | | | 295 | 280 |
| | | | 84 | 448.90 | 462.10 | 482.60 | 427.30 | | | 355 | 340 |

Components mountable in 15 mm depth grid

Desk-top cases - *ratiopacPRO*air

Radial fan unit for ratiopacPRO air



Depth D: 129.8 / 189.9 mm for 160 mm / 220 mm euroboards

- Only 1/2 U height
- Ball-bearing radial fans
- Fan holder in 4 widths and 2 depths
- Air capacity 36 m³/h (free blowing) per fan
- Air exhaust via perforation in cover plate
- No mechanical modification to case necessary
- Simple mounting
- No restriction to rear mounting space

Delivery comprises (Kit)

| Item | Qty | Description |
|------|-----|--|
| 1 | 1 | Fan support, Al, 1.5 mm, with crimp sockets for mounting the fans |
| 2 | 1-3 | Radial fan, ball bearing, 12 V _{DC} ; airflow volume (50 Hz) 36 m ³ /h, free blowing; power consumption 6.7 W; connecting cable 300 mm, without plug (AWG 26); noise level in dB (A): 47.0; max. static pressure in Pa: 190; max. ambient temperature: 60 °C; fan housing and rotor: UL 94 V-0 |
| 3 | 1 | Compartment seal, PE foam, UL 94, self-adhesive, temperature range -20 °C ... +85 °C |
| 4 | 1 | Terminal clamp, UL 90 V-0 |
| 5 | 1 | Assembly kit |

Order Information

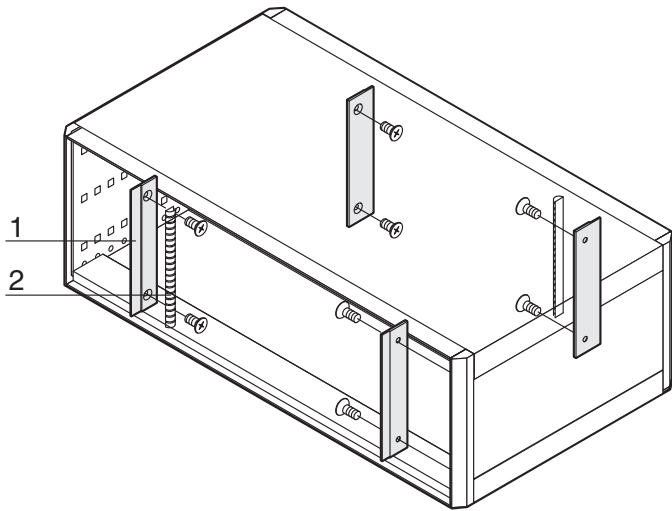
| Width | Width | Number of fans | Part no. for PCB depth | |
|-------|--------|----------------|------------------------|------------------|
| | | | 160 mm | 220 mm |
| HP | mm | | | |
| 28 | 146.87 | 1 | 24572-404 | 24572-408 |
| 42 | 218.00 | 1 | 24572-405 | 24572-409 |
| 63 | 324.67 | 2 | 24572-406 | 24572-410 |
| 84 | 431.35 | 3 | 24572-407 | 24572-411 |

Note

- Further configurations available on request
- Fans with tacho signal available on request

Desk-top cases - *ratiopacPRO/* -air

EMC sealing front/rear panel to side panel



rppr6639

- For vertical EMC shielding between sub-assemblies and side panel
- Scope of delivery sufficient for one case

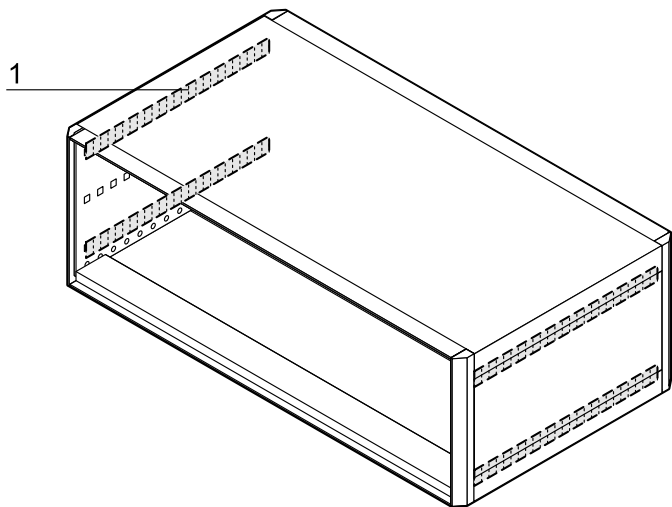
Delivery comprises (kit)

| Item | Qty | Description |
|------|-----|---|
| 1 | 4 | EMC support profile, Al extrusion |
| 2 | 2 | EMC sealing (textile), core: foam, sleeve: textile cladding with CuNi coating |
| 3 | 1 | Assembly kit |

Order Information

| For case height | Part no. |
|-----------------|-----------|
| U | |
| 2, 3-air | 24571-334 |
| 3, 4-air | 24571-331 |
| 4, 5-air | 24571-332 |
| 6, 7-air | 24571-333 |
| 5, 6-air | 24571-335 |

EMC sealing side panel to cover plate



RPPR6640

- For horizontal EMC shielding between side panels and cover plates
- Scope of delivery sufficient for one case

Delivery comprises (kit)

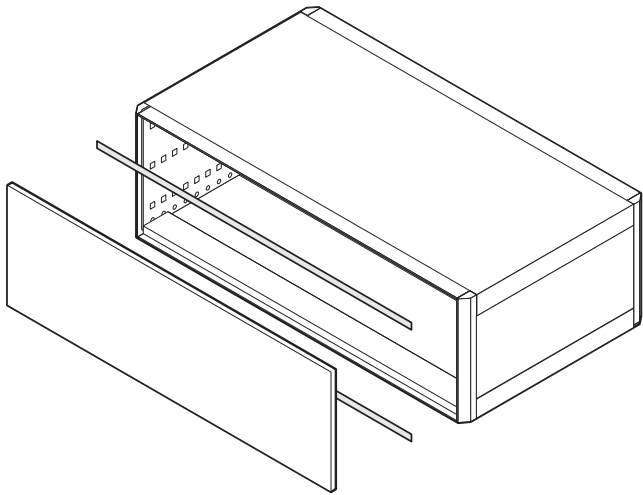
| Item | Qty | Description |
|------|-----|--------------------------------|
| 1 | 4 | Contact strip, stainless steel |

Order Information

| Depth | Part no. |
|-------|-----------|
| mm | |
| 255 | 24571-338 |
| 315 | 24571-339 |
| 375 | 24571-340 |
| 435 | 24571-341 |
| 495 | 24571-342 |

Desk-top cases - *ratio*pac **PRO**/ -air

EMC sealing front/rear panel to horizontal rail



rp-pr6739

EMC sealing front/rear panel to horizontal rail

- The contact strip is clipped onto the horizontal rail and sets up the contact to front panel or rear panel
- Can be used for rear horizontal rails (H-VT, L-VT) and all front horizontal rails

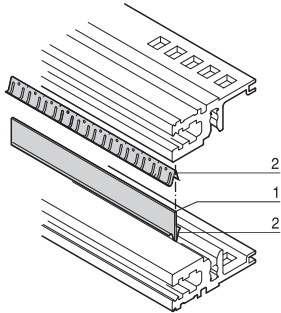
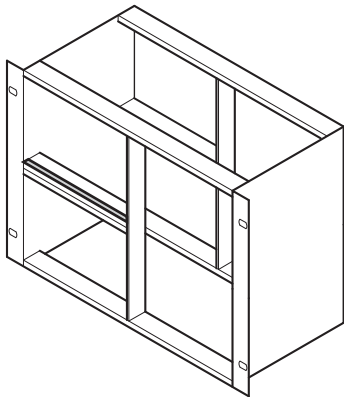
Delivery comprises

| Item | Qty | Description |
|------|--------|----------------------------|
| 1 | 10/100 | Stainless steel EMC gasket |

Order Information

| Width HP | Width mm | Qty/PU | Part no. |
|----------|----------|--------|------------------|
| 28 | 131.78 | 10 | 24560-229 |
| 42 | 202.9 | 10 | 24560-231 |
| 63 | 304.8 | 10 | 24560-233 |
| 84 | 416.3 | 10 | 24560-235 |
| 84 | 416.3 | 100 | 24560-236 |

EMC sealing horizontal rail to horizontal rail



BPA46548

BZA45877

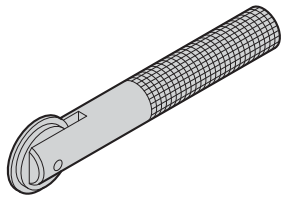
- For shielding of two horizontal rails located directly above each other with vertical division of the mounting height

Delivery comprises

| Item | Qty | Description |
|------|-----|-------------------------------|
| 1 | 1 | Cover strip, Al, 1 mm |
| 2 | 2 | Contact spring, St, stainless |

Order Information

| Length HP | Part no. |
|---|------------------|
| 20 | 24562-520 |
| 28 | 24562-528 |
| 40 | 24562-540 |
| 42 | 24562-542 |
| 63 | 24562-563 |
| 84 | 24562-584 |
| Assembly tool for EMC sealing, St, stainless (horizontal rails), 1 piece | |
| | 24560-271 |

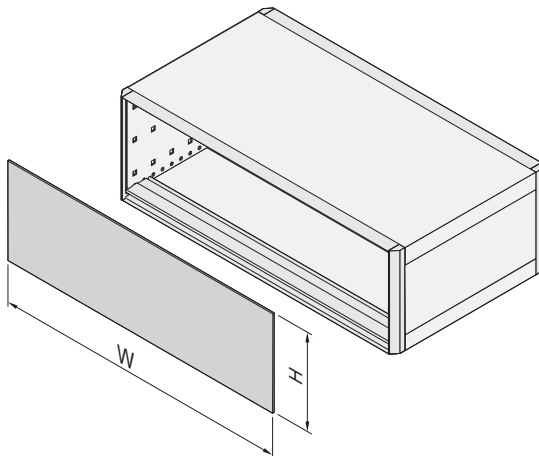


aza45937

Assembly tool

Desk-top cases - *ratio*pac*PRO*/ -air

EMC front/rear panel, slotted, shielded



- No screws required for fixing
- Special horizontal rails cover the edges of the front panel (top and bottom) and prevent bowing of the front panel

NEW

Delivery comprises (Kit)

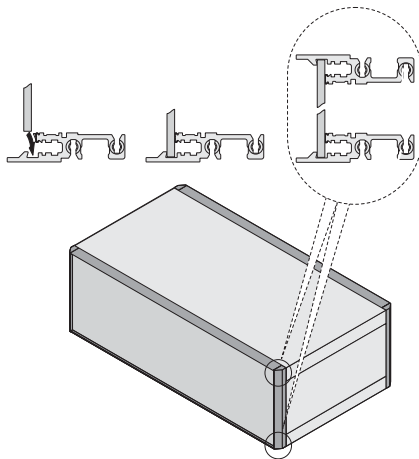
| Item | Qty | Description |
|------|-----|--|
| 1 | 1 | Full-width front panel, Al, 2.5 mm, front: anodised, rear: colour passivated |
| 2 | 2 | Horizontal rail, front; special for this front panel |
| 3 | 4 | EMC support profile |
| 4 | 2 | Contact strip horizontal rail - front panel |
| 5 | 3 | EMC textile gasket |
| 6 | 1 | Fixing material kit, user manual |

01811055

Order Information

| For case height | Height H mm | For case width HP | Width W mm | Part no. |
|-----------------|----------------|----------------------|---------------|------------------|
| 2, 3-air | 84.0 | 28 | 141.9 | 24572-599 |
| 2, 3-air | 84.0 | 42 | 213.2 | 24572-600 |
| 2, 3-air | 84.0 | 63 | 319.7 | 24572-601 |
| 2, 3-air | 84.0 | 84 | 426.4 | 24572-602 |
| 3, 4-air | 128.4 | 28 | 141.9 | 24572-603 |
| 3, 4-air | 128.4 | 42 | 213.2 | 24572-604 |
| 3, 4-air | 128.4 | 63 | 319.7 | 24572-605 |
| 3, 4-air | 128.4 | 84 | 426.4 | 24572-606 |
| 4, 5-air | 172.9 | 28 | 141.9 | 24572-607 |
| 4, 5-air | 172.9 | 42 | 213.2 | 24572-608 |
| 4, 5-air | 172.9 | 63 | 319.7 | 24572-609 |
| 4, 5-air | 172.9 | 84 | 426.4 | 24572-610 |

01811056



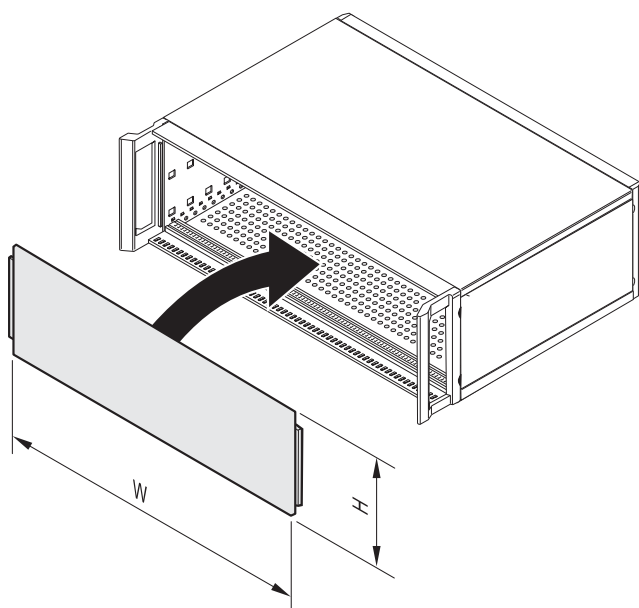
Front panel/horizontal rail

Note

- To obtain a shielded case, all EMC sealings must be fitted (front panel/rear panel - side panel; side panel - cover plate; front panel/rear panel - horizontal rail; horizontal rail - horizontal rail)
- EMC sealing see from page 5.18

Desk-top cases - *ratio*pac **PRO**/ -air

Full-width front panel, slotted, unshielded



06801502

- Front panels can also be used as rear panels
- No screws required for fixing
- Inserted between side panel and castings such as trim, 19" mounting bracket or handle

Delivery comprises

| Item | Qty | Description |
|------|-----|---|
| 1 | 1 | Front panel, Al, 2.5 mm, front: anodised, rear: colour passivated |

Order Information

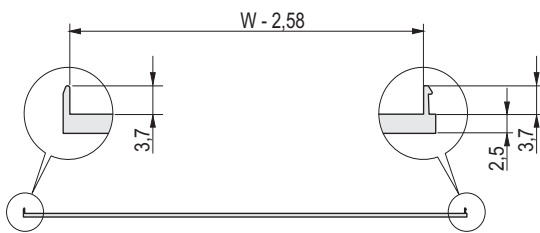
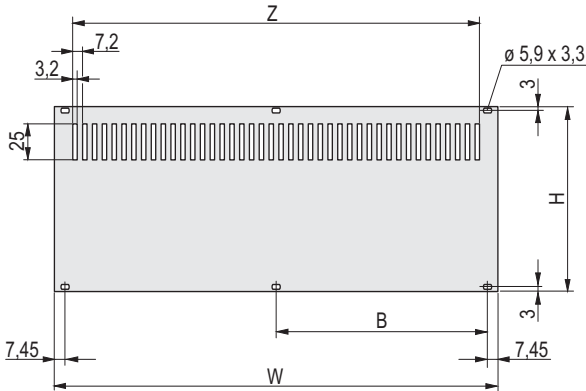
| For case height | Height H | For case width | Width W | Part no. |
|-----------------|----------|----------------|---------|------------------|
| U | mm | HP | mm | |
| 2, 3-air | 84 | 28 | 141.9 | 34571-617 |
| 2, 3-air | 84 | 42 | 213.2 | 34571-618 |
| 2, 3-air | 84 | 63 | 319.7 | 34571-619 |
| 2, 3-air | 84 | 84 | 426.4 | 34571-620 |
| 3, 4-air | 128.4 | 28 | 141.9 | 34571-605 |
| 3, 4-air | 128.4 | 42 | 213.2 | 34571-606 |
| 3, 4-air | 128.4 | 63 | 319.7 | 34571-607 |
| 3, 4-air | 128.4 | 84 | 426.4 | 34571-608 |
| 4, 5-air | 172.9 | 28 | 141.9 | 34571-609 |
| 4, 5-air | 172.9 | 42 | 213.2 | 34571-610 |
| 4, 5-air | 172.9 | 63 | 319.7 | 34571-611 |
| 4, 5-air | 172.9 | 84 | 426.4 | 34571-612 |
| 5, 6-air | 217.3 | 28 | 141.9 | 34571-621 |
| 5, 6-air | 217.3 | 42 | 213.2 | 34571-622 |
| 5, 6-air | 217.3 | 63 | 319.7 | 34571-623 |
| 5, 6-air | 217.3 | 84 | 426.4 | 34571-624 |
| 6, 7-air | 261.8 | 28 | 141.9 | 34571-613 |
| 6, 7-air | 261.8 | 42 | 213.2 | 34571-614 |
| 6, 7-air | 261.8 | 63 | 319.7 | 34571-615 |
| 6, 7-air | 261.8 | 84 | 426.4 | 34571-616 |

Note

- Screw-fixed front panels see chapter Front panels, page 7.4

Desk-top cases - *ratio*pac*PRO*/ -air

Rear panels with ventilation slots



Shieldable

01802055



Unshielded

01804050

- Two versions:
unshielded, Al, 2.5 mm;
shieldable, Al extrusion (textile EMC seal, retrofittable)
- Mounting on horizontal rails (top and bottom)

Delivery comprises

| Item | Qty | Description |
|------|-----|---|
| 1 | 1 | Rear panel, Al, 2.5 mm, front: anodised, rear: iridescent green chromated; unshielded or shieldable with EMC seal (textile) |

Order Information

| Height U | H mm | Width W HP mm | B mm | unshielded Part no. | shieldable Part no. |
|----------|-------|---------------|-------|---------------------|---------------------|
| 2, 3-air | 84 | 28 141.9 | - | 30849-007 | 20848-679 |
| 2, 3-air | 84 | 42 213 | 101.6 | 30849-014 | 20848-680 |
| 2, 3-air | 84 | 63 319.7 | 157.5 | 30849-015 | 20848-681 |
| 2, 3-air | 84 | 84 426.4 | 208.3 | 30849-016 | 20848-682 |
| 3, 4-air | 128.4 | 28 141.9 | - | 30849-008 | 20848-633 |
| 3, 4-air | 128.4 | 42 213 | 101.6 | 30849-021 | 20848-634 |
| 3, 4-air | 128.4 | 63 319.7 | 157.5 | 30849-022 | 20848-635 |
| 3, 4-air | 128.4 | 84 426.4 | 208.3 | 30849-023 | 20848-636 |
| 4, 5-air | 172.9 | 28 141.9 | - | 30849-009 | 20848-656 |
| 4, 5-air | 172.9 | 42 213 | 101.6 | 30849-028 | 20848-657 |
| 4, 5-air | 172.9 | 63 319.7 | 157.5 | 30849-029 | 20848-658 |
| 4, 5-air | 172.9 | 84 426.4 | 208.3 | 30849-030 | 20848-659 |
| 5, 6-air | 217.3 | 28 141.9 | - | 30849-011 | 20848-744 |
| 5, 6-air | 217.3 | 42 213 | 101.6 | 30849-171 | 20848-745 |
| 5, 6-air | 217.3 | 63 319.7 | 157.5 | 30849-172 | 20848-746 |
| 5, 6-air | 217.3 | 84 426.4 | 208.3 | 30849-173 | 20848-747 |
| 6, 7-air | 261.8 | 28 141.9 | - | 30849-010 | 20848-640 |
| 6, 7-air | 261.8 | 42 213 | 101.6 | 30849-035 | 20848-641 |
| 6, 7-air | 261.8 | 63 319.7 | 157.5 | 30849-036 | 20848-642 |
| 6, 7-air | 261.8 | 84 426.4 | 208.3 | 30849-037 | 20848-643 |

- Please order textile EMC seals separately
- Assembly parts see page Chapter 7, Front panels
- Rear/front panels without perforation see Chapter 7, Front panels
- Rear panels with fan available on request

Textile EMC seals

Delivery comprises

| Item | Qty | Description |
|------|--------|--|
| 1 | 10/100 | Textile EMC seal, core: foam, sleeve: textile cladding with CuNi coating |

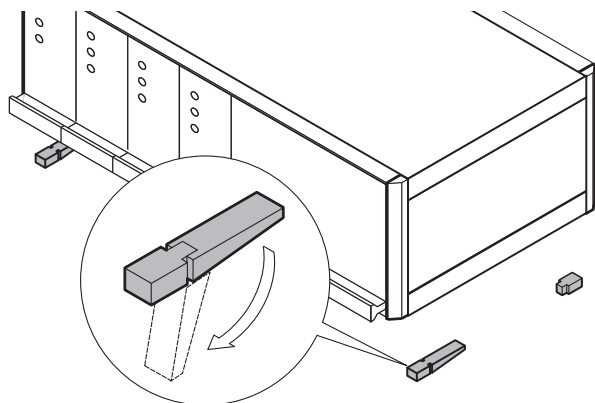
Order Information

| Height U | Height mm | Qty/PU pieces | Part no. |
|----------|-----------|---------------|------------------|
| 2, 3-air | 52 | 10 | 21101-857 |
| 3, 4-air | 97 | 100 | 21101-854 |
| 3, 4-air | 97 | 10 | 21101-853 |
| 4, 5-air | 142 | 10 | 21101-858 |
| 5, 6-air | 187 | 10 | 21101-978 |
| 6, 7-air | 232 | 100 | 21101-856 |
| 6, 7-air | 232 | 10 | 21101-855 |

04602054

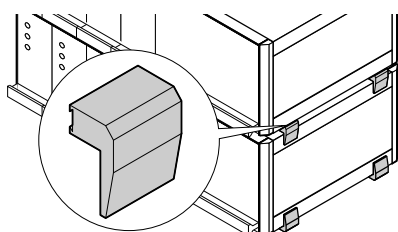
Desk-top cases - *ratio*pacPRO/-air

Tip-up feet and stacking aid/design element



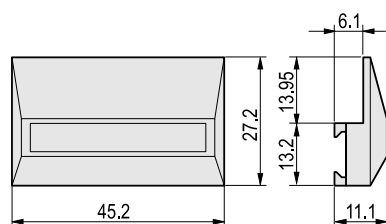
Tip-up foot

01802075



Stacking aid/design element

01802076



- Can be used instead of standard feet
- Carrying capacity: 25 kg per foot
- Mounting holes in bottom of casing

Delivery comprises ((kit))

| Item | Qty | Description |
|------|-----|------------------------------|
| 1 | 4 | Foot, PA, UL 94 V-0 |
| 2 | 4 | Anti-slip protection, TPE |
| 3 | 2 | Tip-up device, PA, UL 94 V-0 |
| 4 | 1 | Assembly kit |

Order Information

| Description | Part no. |
|---|------------------|
| Tip-up foot, silver, similar to RAL 9006 | 20603-001 |
| Tip-up foot, anthracite, similar to RAL 7016 | 20603-002 |
| Stacking aid/design element silver, similar to RAL 9006, PA, UL 94 V-0, PU 4 pieces | 20603-004 |
| Stacking aid/design element anthracite, similar to RAL 7016, PA, UL 94 V-0, PU 4 pieces | 20603-003 |

Note

- Tip-up feet are required to mount the stacking aid

Air filters for ratio*pac*PRO air

- Retrofit mounting without reworking and tools
- Filter replacement without opening the case, IP protection retained

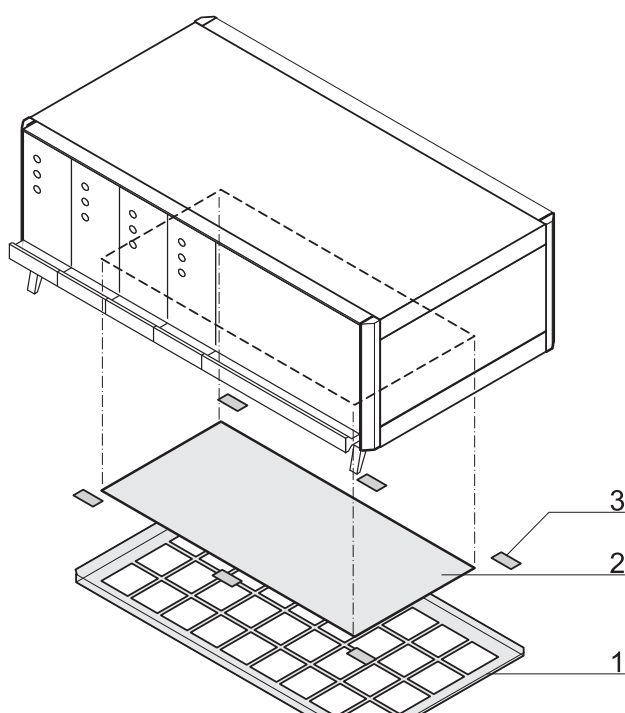
Delivery comprises (kit)

| Item | Qty | Description |
|------|-----|--|
| 1 | 1 | Filter holder, Al, 1 mm, powder-coated, RAL 9006 |
| 2 | 1 | Filter mat, synthetic fibre |
| 3 | 1 | Self-adhesive fixings |

Order Information

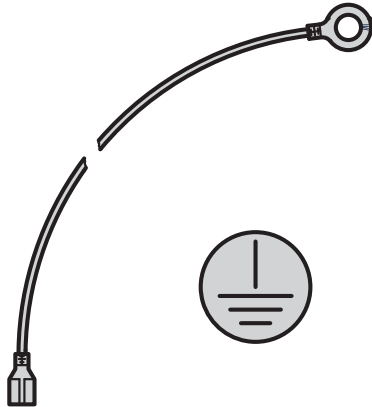
| For case width | Air filter | Replacement filter 1 piece |
|----------------|------------------|----------------------------|
| HP | Part no. | Part no. |
| 28 | 24571-325 | 64571-033 |
| 42 | 24571-326 | 64571-034 |
| 63 | 24571-327 | 64571-035 |
| 84 | 24571-328 | 64571-036 |

- To optimise the air supply, tip-up feet must be fitted to the case, see page 5.23



Desk-top cases - *ratiopacPRO/* -air

Earthing kit



aza43284

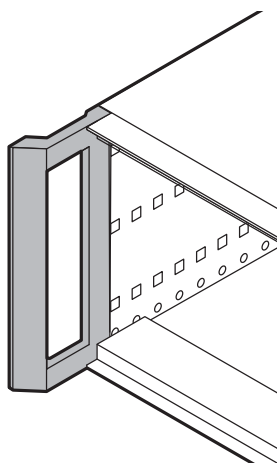
- Forms the GND/earthing connections between side panels, base plate, top cover and rear panel
- Protective GND/earthing connections in accordance with:
 - DIN EN 50178/VDE 0160
 - DIN EN 60950/VDE 0805
 - DIN EN 61010-1/VDE 0411 part 1
 - DIN EN 61010-1A2/VDE 0411 part 1/A1
- VDE tested

Order Information

| Description | Part no. |
|--|-----------|
| GND/earthing kit, Cu wire 1.5 mm ² , PVC sleeve, green/yellow | 24571-380 |

Desk-top cases - *ratiopac* PRO

Front handles for retrofitting



RPPR6651

- For conversion of cases with cover strip, 19" mounting bracket or 19" mounting bracket with front handle

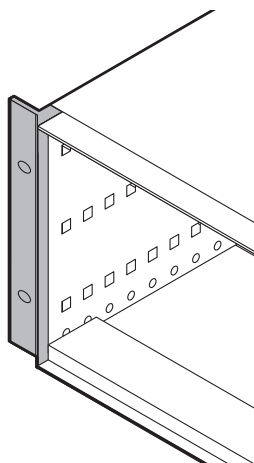
Delivery comprises

| Item | Qty | Description |
|------|-----|--|
| 1 | 2 | Front handle, Al die-cast, powder-coated, RAL 7016 |

Order Information

| Front handle for | Part no. |
|-----------------------|------------------|
| RatiopacPRO 3 U | 24571-301 |
| RatiopacPRO 4 U | 24571-302 |
| RatiopacPRO 5 U | 24571-993 |
| RatiopacPRO 6 U | 24571-303 |
| RatiopacPRO air 3/4 U | 24571-304 |
| RatiopacPRO air 4/5 U | 24571-305 |
| RatiopacPRO air 6/7 U | 24571-306 |

19" mounting brackets for retrofitting



RPPR6652

- For conversion of cases with cover strip, front handle or 19" mounting bracket with front handle

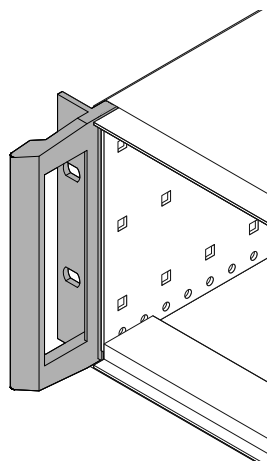
Delivery comprises

| Qty | Description |
|-----|---|
| 2 | 19" mounting bracket, Al diecast, powder-coated, RAL 7016 |

Order Information

| 19" mounting angle | Part no. |
|---------------------|------------------|
| RatiopacPRO 2 U | 24571-994 |
| RatiopacPRO 3 U | 24571-295 |
| RatiopacPRO 4 U | 24571-296 |
| RatiopacPRO 5 U | 24571-992 |
| RatiopacPRO 6 U | 24571-297 |
| RatiopacPRO air 4 U | 24571-298 |
| RatiopacPRO air 5 U | 24571-299 |
| RatiopacPRO air 7 U | 24571-300 |

19" mounting bracket with front handle for conversion



01813054

- For conversion of cases with cover strip, front handle or 19" mounting bracket

Delivery comprises

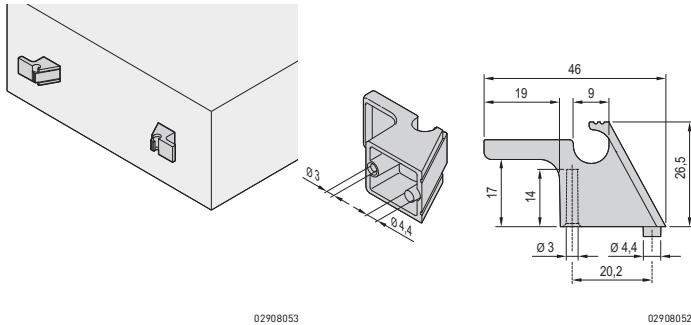
| Qty | Description |
|-----|---|
| 2 | 19" mounting bracket with front handle, Al diecast, powder-coated, RAL 7016 |

Order Information

| 19" mounting angle | Part no. |
|---------------------|------------------|
| RatiopacPRO 2 U | 24572-700 |
| RatiopacPRO 3 U | 24572-701 |
| RatiopacPRO 4 U | 24572-702 |
| RatiopacPRO 6 U | 24572-704 |
| RatiopacPRO air 4 U | 24572-705 |
| RatiopacPRO air 7 U | 24572-707 |

Desk-top cases - *ratiopacPRO* -air

Cable holder



Delivery comprises

| Item | Qty | Description |
|------|-----|---|
| 1 | 2 | Cable bracket, ABS, UL V-94 0, RAL 7016, detent for cables between 8 mm and 12 mm |
| 2 | 1 | Drilling template, two drilled holes each per bracket are needed in rear panel |
| 3 | 1 | Assembly kit |

Order Information

| Description | Part no. |
|--------------|-----------|
| Cable holder | 24575-800 |

Air baffles for ratiopacPRO air

- The air baffle (item 1) closes the space (1/2 U) between the rear horizontal rail and base plate

Delivery comprises (in kit form)

| Item | Qty | Description |
|------|-----|---|
| 1 | 1 | Compartment seal, PE foam, UL 94 HF 1 + HF 2, self-adhesive, temperature range: -40 °C ... +85 °C |

Order Information

| For case width | Length | Part no. |
|----------------|--------|-----------|
| HP | mm | |
| 42 | 218.4 | 20833-351 |
| 63 | 325.1 | 20833-352 |
| 84 | 431.8 | 20833-353 |

Note

- Fan rear panel available on request
- Radial fan unit see page 5.17

Strap handles

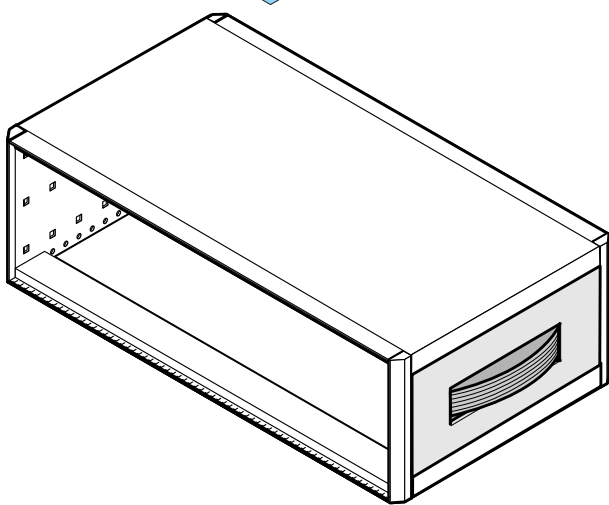
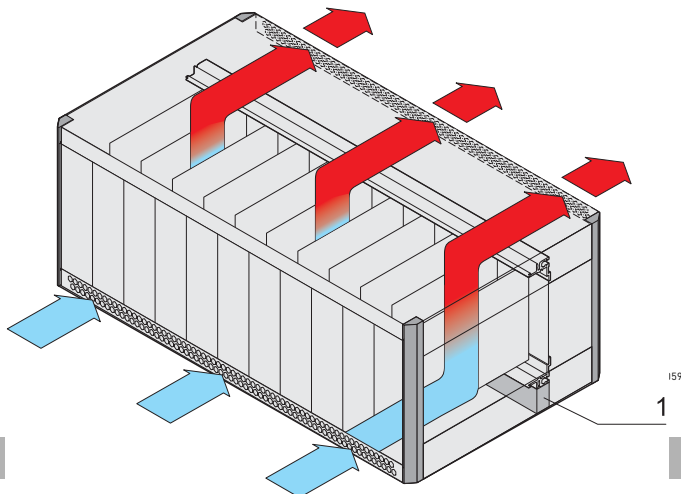
- Retrofittable without mechanical modifications to the case
- Static load-carrying capacity 20 kg

Delivery comprises (kit)

| Item | Qty | Description |
|------|-----|---|
| 1 | 1 | Handle, steel spring, plastic-sheathed (flexible plastic), RAL 7016 |
| 2 | 1 | Side plate, Al, visible surfaces powder-coated, RAL 9006 |
| 3 | 2 | Adaptor, Al die-cast |
| 4 | 1 | Assembly kit |

Order Information

| For case depth | For case height 3 U, 4 U air | For case height 4 HE, 5 Uair |
|----------------|---------------------------------|---------------------------------|
| mm | Part no. | Part no. |
| 315 | 24571-308 | 24571-314 |
| 375 | 24571-309 | 24571-315 |
| 435 | 24571-310 | 24571-316 |



Desk-top cases - *ratio*pac **PRO**/ -air

Tip-up carrying handles



04603006

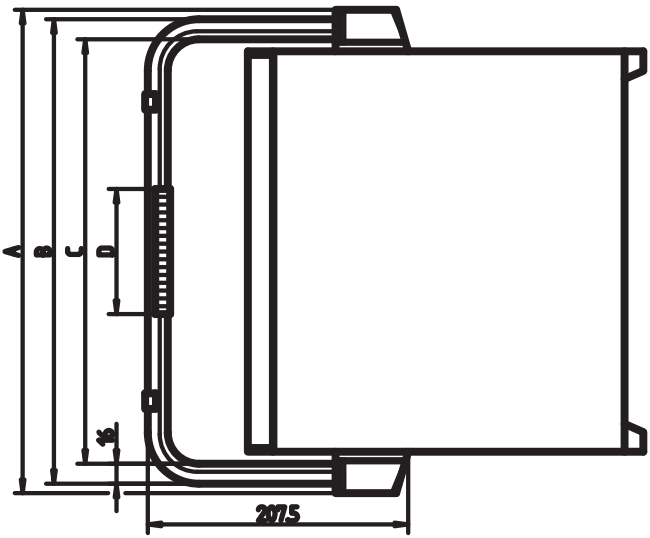
- Retrofittable without mechanical modifications to the case
- Adjustable in 30° increments
- Static load-carrying capacity 30 kg

Delivery comprises (kit)

| Item | Qty | Description |
|------|-----|---|
| 1 | 1 | Carrying bar, Al extrusion, powder coated, RAL 9006 |
| 2 | 1 | Handle shell, ABS, UL 94 V-0, RAL 7016 |
| 3 | 2 | Tip-up protection, ABS, UL 94 V-0, RAL 7016 |
| 4 | 2 | Notch device, Al die-cast |
| 5 | 2 | Cover cap, ABS, UL 94 V-0, RAL 7016 |

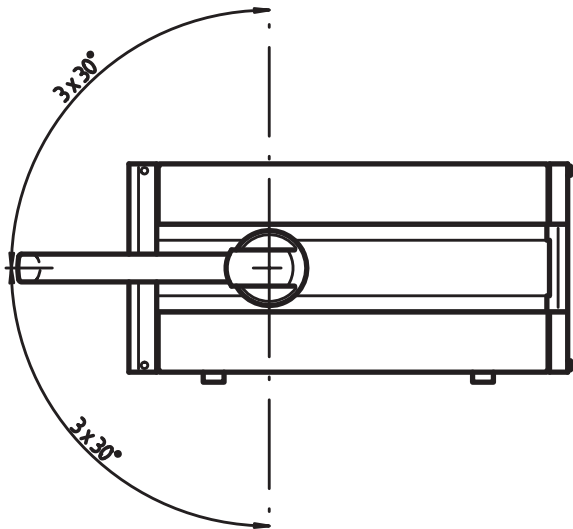
Order Information

| For case height | For case width | For case depth | Tip-up carrying handle | Assembly kit |
|-----------------|----------------|----------------|------------------------|------------------|
| U | HP | mm | Part no. | Part no. |
| 3, 4-air | 42 | 255 | 24571-320 | 24571-352 |
| 3, 4-air | 42 | 315 | 24571-320 | 24571-353 |
| 3, 4-air | 42 | 375 | 24571-320 | 24571-354 |
| 3, 4-air | 42 | 435 | 24571-320 | 24571-355 |
| 3, 4-air | 42 | 495 | 24571-320 | 24571-356 |
| 3, 4-air | 63 | 255 | 24571-321 | 24571-352 |
| 3, 4-air | 63 | 315 | 24571-321 | 24571-353 |
| 3, 4-air | 63 | 375 | 24571-321 | 24571-354 |
| 3, 4-air | 63 | 435 | 24571-321 | 24571-355 |
| 3, 4-air | 63 | 495 | 24571-321 | 24571-356 |
| 3, 4-air | 84 | 255 | 24571-322 | 24571-352 |
| 3, 4-air | 84 | 315 | 24571-322 | 24571-353 |
| 3, 4-air | 84 | 375 | 24571-322 | 24571-354 |
| 3, 4-air | 84 | 435 | 24571-322 | 24571-355 |
| 3, 4-air | 84 | 495 | 24571-322 | 24571-356 |
| 4, 5-air | 42 | 255 | 24571-320 | 24571-359 |
| 4, 5-air | 42 | 315 | 24571-320 | 24571-360 |
| 4, 5-air | 42 | 375 | 24571-320 | 24571-361 |
| 4, 5-air | 42 | 435 | 24571-320 | 24571-362 |
| 4, 5-air | 42 | 495 | 24571-320 | 24571-363 |
| 4, 5-air | 63 | 255 | 24571-321 | 24571-359 |
| 4, 5-air | 63 | 315 | 24571-321 | 24571-360 |
| 4, 5-air | 63 | 375 | 24571-321 | 24571-361 |
| 4, 5-air | 63 | 435 | 24571-321 | 24571-362 |
| 4, 5-air | 63 | 495 | 24571-321 | 24571-363 |
| 4, 5-air | 84 | 255 | 24571-322 | 24571-359 |
| 4, 5-air | 84 | 315 | 24571-322 | 24571-360 |
| 4, 5-air | 84 | 375 | 24571-322 | 24571-361 |
| 4, 5-air | 84 | 435 | 24571-322 | 24571-362 |
| 4, 5-air | 84 | 495 | 24571-322 | 24571-363 |



RPA43897

| For case height | For case width | A | B | C | D |
|--------------------|----------------|-------|-------|-------|-----|
| U | HP | mm | mm | mm | mm |
| 3, 4, 4-air, 5-air | 42 | 283,4 | 279,4 | 247,4 | 115 |
| 3, 4, 4-air, 5-air | 63 | 390,1 | 386,1 | 354,1 | 195 |
| 3, 4, 4-air, 5-air | 84 | 496,8 | 492,8 | 460,8 | 195 |



rpa43898

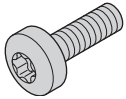
Note

- Cannot be used in conjunction with front handles
- Assembly kit is required for tip-up carrying handle, please order separately

Desk-top cases - *ratiopacPRO* -air

Torx panhead screws

Order Information

| | Description | Application | Material | Dimension | Qty/PU | Part no. |
|---|-----------------------------|--|-----------------|-----------|--------|------------------|
|  <small>AZA45923</small> | Countersunk screw with Torx | For horizontal rail to side panel, with GND/earthing function | St, zinc-plated | M4 x 14 | 100 | 24571-371 |
| | Countersunk screw with Torx | For horizontal rail to side panel, if guide rail is bolted onto slot 1 | St, zinc-plated | M4 x 10 | 100 | 24571-372 |

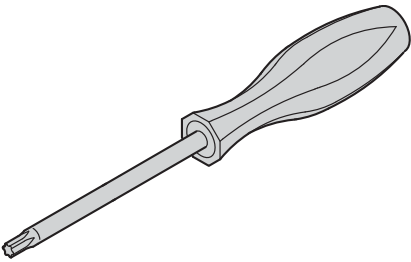
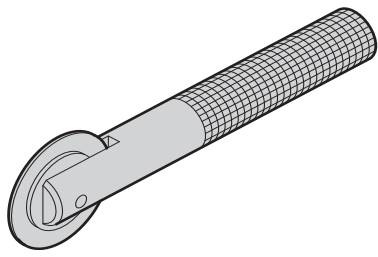
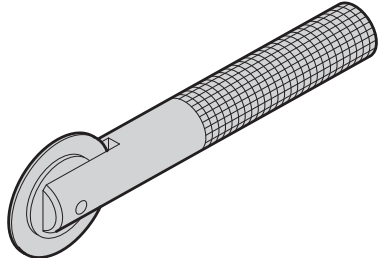
Nut

Order Information

| | Description | Application | Material | Dimension | Qty/PU | Part no. |
|---|-------------|---|-----------------|-----------|--------|------------------|
|  <small>AZA45921</small> | Square nut | For fixing: parts to side panels, support profiles, mounting plates | St, zinc-plated | M4 | 100 | 24560-140 |

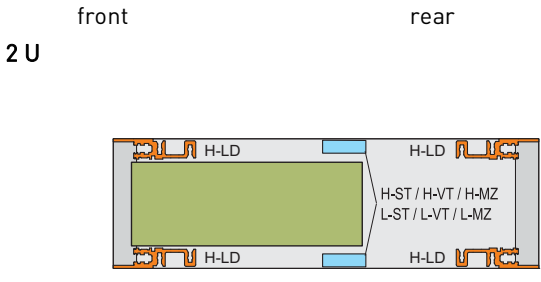
Assembly tools

Order Information

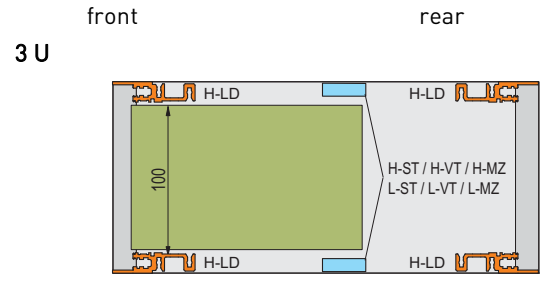
| | Description | Application | Dimension | Qty/PU | Part no. |
|---|------------------------------------|---|-----------|--------|------------------|
|  <small>AZA45925</small> | Torx screwdriver | | T8 | 1 | 64560-026 |
| | | | T20 | 1 | 64560-027 |
|  <small>aza45938</small> | Assembly tool for horizontal rails | Exclusively to fix stainless steel EMC gaskets in horizontal rails | - | 1 | 24560-271 |
|  <small>aza45937</small> | Assembly tool for front panels | For mounting stainless steel EMC contact strips on front panels with lateral slot | - | 1 | 24560-270 |

Desk-top cases - *ratio*pacPRO/ -air

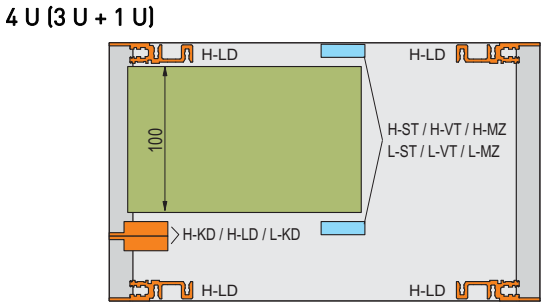
Mounting position ratio

pacPRO horizontal rails/central rails

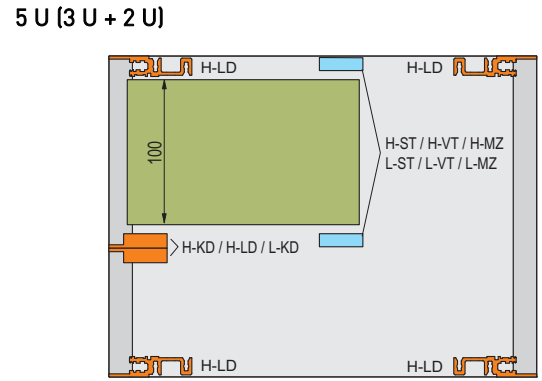
01805060



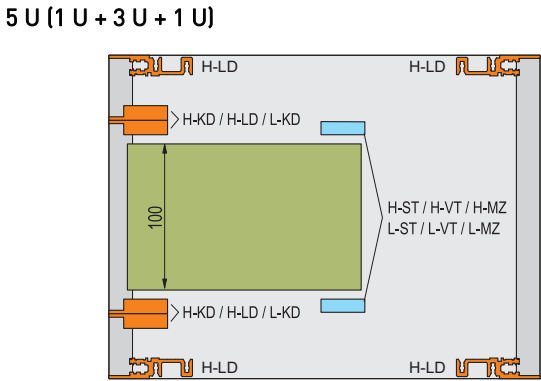
01802057



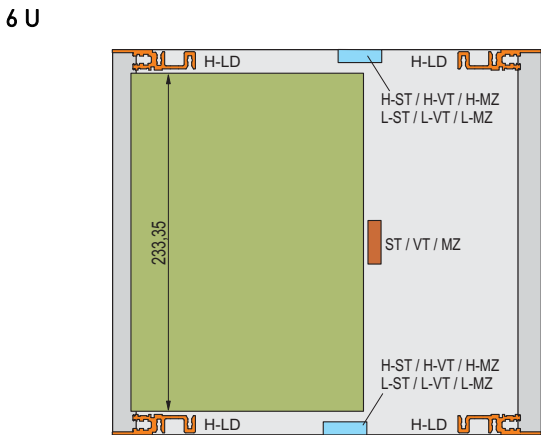
01802058



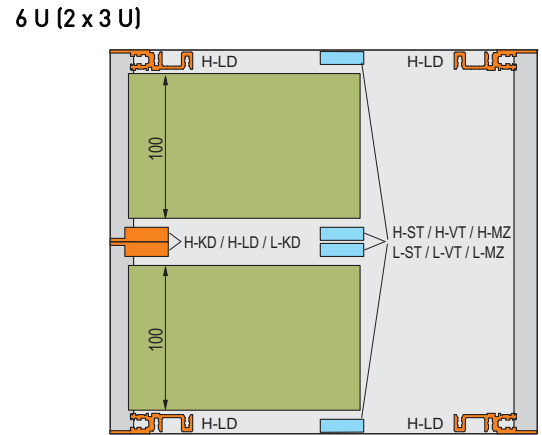
01805062



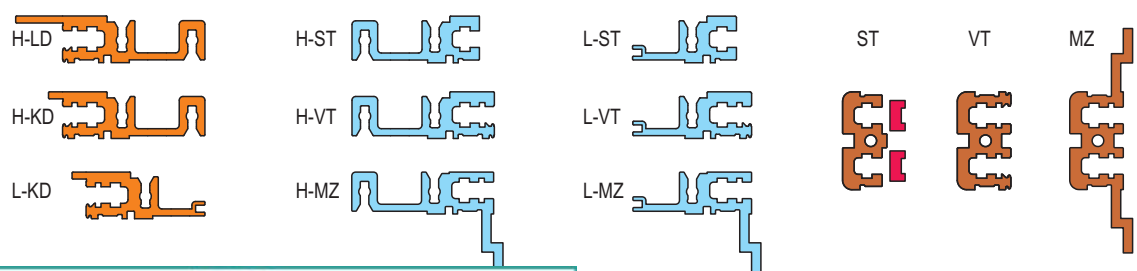
01805061



01802059



01802060



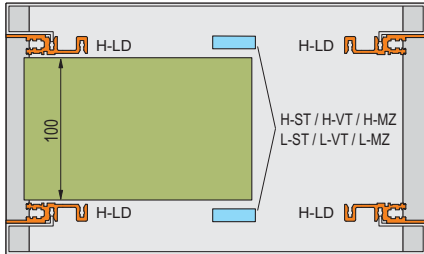
01808050

Desk-top cases - *ratio*pacPRO/ -air

Mounting position ratio

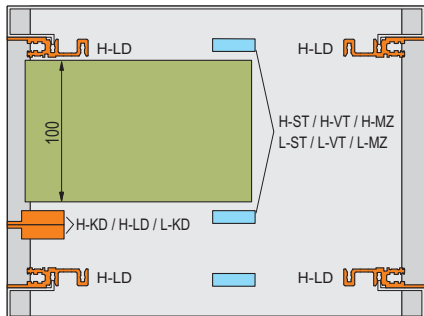
pacPRO air horizontal rails/central rails

front rear
4-air U (1/2 U + 3 U + 1/2 U)



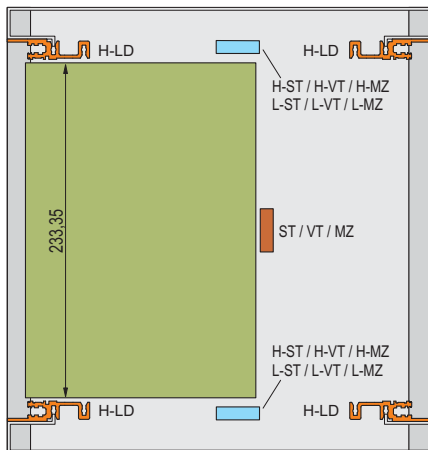
01802061

5-air U (1/2 U + 3 U + 1U +1/2 U)



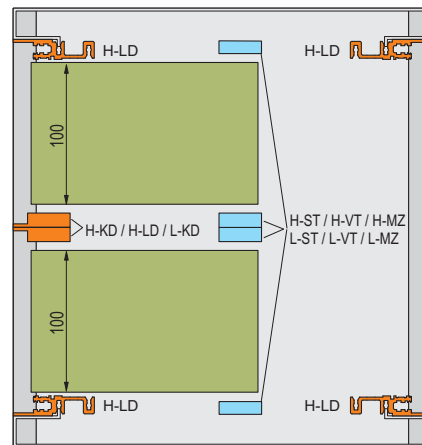
01802062

7-air U (1/2 U + 6 U + 1/2 U)

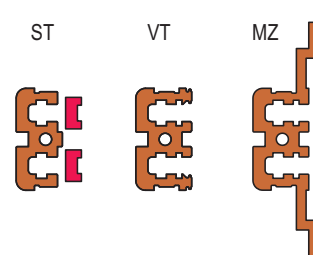
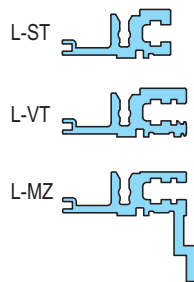
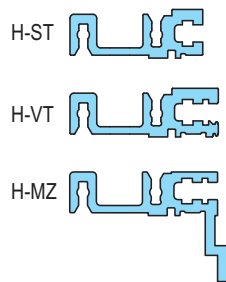
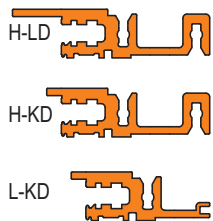


01802063

7-air U (1/2 U + 3 U + 3U 1/2 U)



01802064



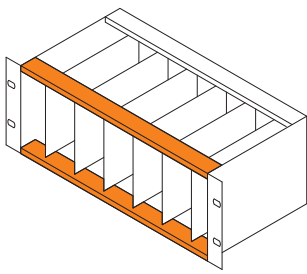


Horizontal rails can be bolted on in 15 mm depth grid

01808050

Desk-top cases - *ratiopacPRO/* -air

Front horizontal rails

Order Information

|  <p>bza44980</p> | <p>"heavy" Type H-KD short lip</p>  <p>06197008</p> <p>Al extrusion, anodised finish, contact surface conducting, with printed HP markings</p> | <p>With long lip for insertion/extraction of CompactPCI and VME64x boards</p> <p>"heavy" Type H-LD long lip</p>  <p>06197009</p> <p>Al extrusion, anodised finish, contact surface conducting, with printed HP markings</p> | | | | | | | | | | | | | | | | | |
|---|--|---|----|--------|----|--------|----|--------|----|--------|--|------------------|------------------|------------------|------------------|------------------|------------------|------------------|------------------|
| | <p>1 piece (SPQ 10)¹⁾</p> | <p>1 piece (SPQ 10)¹⁾</p> | | | | | | | | | | | | | | | | | |
| <table border="1"> <thead> <tr> <th>Usable length HP</th> <th>Length mm</th> </tr> </thead> <tbody> <tr> <td>28</td> <td>147.32</td> </tr> <tr> <td>42</td> <td>218.44</td> </tr> <tr> <td>63</td> <td>325.12</td> </tr> <tr> <td>84</td> <td>431.80</td> </tr> </tbody> </table> | Usable length HP | Length mm | 28 | 147.32 | 42 | 218.44 | 63 | 325.12 | 84 | 431.80 | <table border="1"> <tbody> <tr> <td>34560-228</td> <td>34560-328</td> </tr> <tr> <td>34560-242</td> <td>34560-342</td> </tr> <tr> <td>34560-263</td> <td>34560-363</td> </tr> <tr> <td>34560-284</td> <td>34560-384</td> </tr> </tbody> </table> | 34560-228 | 34560-328 | 34560-242 | 34560-342 | 34560-263 | 34560-363 | 34560-284 | 34560-384 |
| Usable length HP | Length mm | | | | | | | | | | | | | | | | | | |
| 28 | 147.32 | | | | | | | | | | | | | | | | | | |
| 42 | 218.44 | | | | | | | | | | | | | | | | | | |
| 63 | 325.12 | | | | | | | | | | | | | | | | | | |
| 84 | 431.80 | | | | | | | | | | | | | | | | | | |
| 34560-228 | 34560-328 | | | | | | | | | | | | | | | | | | |
| 34560-242 | 34560-342 | | | | | | | | | | | | | | | | | | |
| 34560-263 | 34560-363 | | | | | | | | | | | | | | | | | | |
| 34560-284 | 34560-384 | | | | | | | | | | | | | | | | | | |
| <p>M4 × 10, St, zinc-plated, necessary if guide rail is screwed to slot 1, PU 100 pieces</p> | <p>24571-372</p> | <p>24571-372</p> | | | | | | | | | | | | | | | | | |
| <p>Threaded inserts see page</p> | <p>5.35</p> | <p>5.35</p> | | | | | | | | | | | | | | | | | |

1) SPQ (standard pack quantity): Order number includes 1 piece, but delivery is exclusively made in standard pack quantity (SPQ); please order at least the SPQ quantity or a multiple thereof

"light": loading capacity up to approx. 7.5 kg; "heavy": loading capacity > 7.5 kg

Desk-top cases - *ratio*pac **PRO** / -air

Rear horizontal rails

Order Information

| | | | |
|---|--|--|---|
| 06105074 | For indirect backplane fixing with insulation strip | For direct backplane fixing | For direct fixing of connectors to EN 60603-2 (DIN 41612) |
| | 04400001 "heavy" Type H-ST standard 06197011 Al extrusion, anodised finish, contact surface conducting, with printed HP markings | 04400002 "heavy" Type H-VT long lip 06197013 Al extrusion, anodised finish, contact surface conducting, with printed HP markings | 04400003 "heavy" Type H-MZ with Z-rail 06197015 Al extrusion, anodised finish, contact surface conducting, with printed HP markings |
| Usable length HP | Length mm | 1 piece (SPQ 10)¹⁾ | 1 piece (SPQ 10)¹⁾ |
| 28 | 147.32 | 34560-528 | 34560-728 |
| 42 | 218.44 | 34560-542 | 34560-742 |
| 63 | 325.12 | 34560-563 | 34560-763 |
| 84 | 431.80 | 34560-584 | 34560-784 |
| Torx panhead screw, 4 x 10 | | 24571-372 | 24571-372 |
| Perforated rail for connector mounting with insulation strip see page | 5.35 | - | - |
| Z-rail for connector mounting without insulation strip see page | 5.35 | - | - |
| Insulation strips see page | 5.35 | - | - |
| Threaded inserts see page | 5.35 | 5.35 | 5.35 |

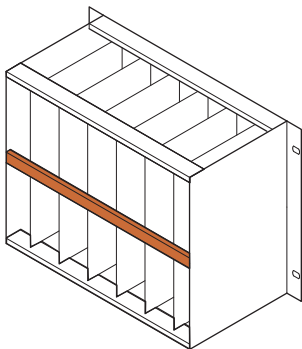






¹⁾ SPQ (standard pack quantity): Order number includes 1 piece, but delivery is exclusively made in standard pack quantity (SPQ); please order at least the SPQ quantity or a multiple thereof

"light": loading capacity up to approx. 7.5 kg; "heavy": loading capacity > 7.5 kg

Desk-top cases - *ratiopac PRO/* -air

Horizontal rails rear, centre

Order Information

|  <p>06108090</p> | <p>For indirect mounting of backplanes via insulation strip</p>  <p>04400001</p> <p>Type ST</p>  <p>06197016</p> <p>Al extrusion, finish anodised, conductive contact surface; horizontal rail type AB (AB = support) is required to fix the 80 mm rear I/O boards; without marking</p> <p>1 piece (SPQ 10)¹⁾</p> | <p>For direct backplane mounting</p>  <p>04400002</p> <p>Type VT</p>  <p>06197017</p> <p>Al extrusion, finish anodised, conductive contact surface; horizontal rail type AB (AB = support) is required to fix the 80 mm rear I/O boards; without marking</p> <p>1 piece (SPQ 10)¹⁾</p> | <p>For direct fixing of connectors to EN 60603-2 (DIN 41612)</p>  <p>04400003</p> <p>Type MZ</p>  <p>06197018</p> <p>Al extrusion, finish anodised, conductive contact surface; horizontal rail type AB (AB = support) is required to fix the 80 mm rear I/O boards; without marking</p> <p>1 piece (SPQ 10)¹⁾</p> | | | | | | | | | | | | | | | | | | | | | | | | | | | | | | | | | | | | | | | | |
|---|---|---|---|------------------|--|--|----|--------|------------------|------------------|------------------|----|--------|------------------|------------------|------------------|----|--------|------------------|------------------|------------------|----|--------|------------------|------------------|------------------|----------------------------|--|------------------|------------------|------------------|----------------------------|--|------|---|---|---------------------------|--|------|------|------|--|--|
| | <table border="1"> <thead> <tr> <th>Usable length HP</th> <th>Length mm</th> <th></th> <th></th> <th></th> </tr> </thead> <tbody> <tr> <td>28</td> <td>147.32</td> <td>34561-028</td> <td>34561-128</td> <td>34561-228</td> </tr> <tr> <td>42</td> <td>218.44</td> <td>34561-042</td> <td>34561-142</td> <td>34561-242</td> </tr> <tr> <td>63</td> <td>325.12</td> <td>34561-063</td> <td>34561-163</td> <td>34561-263</td> </tr> <tr> <td>84</td> <td>431.80</td> <td>34561-084</td> <td>34561-184</td> <td>34561-284</td> </tr> <tr> <td>Torx panhead screw, 4 x 10</td> <td></td> <td>24571-372</td> <td>24571-372</td> <td>24571-372</td> </tr> <tr> <td>Insulation strips see page</td> <td></td> <td>5.35</td> <td>-</td> <td>-</td> </tr> <tr> <td>Threaded inserts see page</td> <td></td> <td>5.35</td> <td>5.35</td> <td>5.35</td> </tr> </tbody> </table> | Usable length HP | Length mm | | | | 28 | 147.32 | 34561-028 | 34561-128 | 34561-228 | 42 | 218.44 | 34561-042 | 34561-142 | 34561-242 | 63 | 325.12 | 34561-063 | 34561-163 | 34561-263 | 84 | 431.80 | 34561-084 | 34561-184 | 34561-284 | Torx panhead screw, 4 x 10 | | 24571-372 | 24571-372 | 24571-372 | Insulation strips see page | | 5.35 | - | - | Threaded inserts see page | | 5.35 | 5.35 | 5.35 | | |
| Usable length HP | Length mm | | | | | | | | | | | | | | | | | | | | | | | | | | | | | | | | | | | | | | | | | | |
| 28 | 147.32 | 34561-028 | 34561-128 | 34561-228 | | | | | | | | | | | | | | | | | | | | | | | | | | | | | | | | | | | | | | | |
| 42 | 218.44 | 34561-042 | 34561-142 | 34561-242 | | | | | | | | | | | | | | | | | | | | | | | | | | | | | | | | | | | | | | | |
| 63 | 325.12 | 34561-063 | 34561-163 | 34561-263 | | | | | | | | | | | | | | | | | | | | | | | | | | | | | | | | | | | | | | | |
| 84 | 431.80 | 34561-084 | 34561-184 | 34561-284 | | | | | | | | | | | | | | | | | | | | | | | | | | | | | | | | | | | | | | | |
| Torx panhead screw, 4 x 10 | | 24571-372 | 24571-372 | 24571-372 | | | | | | | | | | | | | | | | | | | | | | | | | | | | | | | | | | | | | | | |
| Insulation strips see page | | 5.35 | - | - | | | | | | | | | | | | | | | | | | | | | | | | | | | | | | | | | | | | | | | |
| Threaded inserts see page | | 5.35 | 5.35 | 5.35 | | | | | | | | | | | | | | | | | | | | | | | | | | | | | | | | | | | | | | | |

1) SPQ (standard pack quantity): Order number includes 1 piece, but delivery is exclusively made in standard pack quantity (SPQ); please order at least the SPQ quantity or a multiple thereof

Desk-top cases - *ratio*pac PRO/ -air

Horizontal rails (type AB) for rear I/O guide rails

Order Information

| <p style="text-align: right; font-size: small;">06108069</p> | <p style="text-align: center;">For CompactPCI in rear I/O area</p> <p style="text-align: right; font-size: x-small;">06108009</p> <p style="text-align: center;">Type AB</p> <p style="text-align: right; font-size: x-small;">06197009</p> <p style="font-size: x-small;">Al extrusion, finish anodised, conductive contact surface; horizontal rail type AB (AB = support) is required to fix the 80 mm rear I/O boards; without marking</p> <p style="text-align: center;">1 piece (SPQ 10)¹⁾</p> | | | | | | | | | | | | | | | | | | | | | | | |
|---|---|--------------|----|--------|----|--------|----|--------|----|--------|----|--------|----|--------|---|------|--|------------------|------------------|------------------|------------------|------------------|------------------|------------------|
| <table style="width: 100%; border-collapse: collapse;"> <thead> <tr> <th style="text-align: left;">Usable length HP</th> <th style="text-align: left;">Length mm</th> </tr> </thead> <tbody> <tr><td>20</td><td>106.68</td></tr> <tr><td>28</td><td>147.32</td></tr> <tr><td>40</td><td>208.28</td></tr> <tr><td>42</td><td>218.44</td></tr> <tr><td>63</td><td>325.12</td></tr> <tr><td>84</td><td>431.80</td></tr> <tr><td>-</td><td>1000</td></tr> </tbody> </table> | Usable length HP | Length mm | 20 | 106.68 | 28 | 147.32 | 40 | 208.28 | 42 | 218.44 | 63 | 325.12 | 84 | 431.80 | - | 1000 | <table style="width: 100%; border-collapse: collapse;"> <tbody> <tr><td style="text-align: center;">34561-520</td></tr> <tr><td style="text-align: center;">34561-528</td></tr> <tr><td style="text-align: center;">34561-540</td></tr> <tr><td style="text-align: center;">34561-542</td></tr> <tr><td style="text-align: center;">34561-563</td></tr> <tr><td style="text-align: center;">34561-584</td></tr> <tr><td style="text-align: center;">34561-501</td></tr> </tbody> </table> | 34561-520 | 34561-528 | 34561-540 | 34561-542 | 34561-563 | 34561-584 | 34561-501 |
| Usable length HP | Length mm | | | | | | | | | | | | | | | | | | | | | | | |
| 20 | 106.68 | | | | | | | | | | | | | | | | | | | | | | | |
| 28 | 147.32 | | | | | | | | | | | | | | | | | | | | | | | |
| 40 | 208.28 | | | | | | | | | | | | | | | | | | | | | | | |
| 42 | 218.44 | | | | | | | | | | | | | | | | | | | | | | | |
| 63 | 325.12 | | | | | | | | | | | | | | | | | | | | | | | |
| 84 | 431.80 | | | | | | | | | | | | | | | | | | | | | | | |
| - | 1000 | | | | | | | | | | | | | | | | | | | | | | | |
| 34561-520 | | | | | | | | | | | | | | | | | | | | | | | | |
| 34561-528 | | | | | | | | | | | | | | | | | | | | | | | | |
| 34561-540 | | | | | | | | | | | | | | | | | | | | | | | | |
| 34561-542 | | | | | | | | | | | | | | | | | | | | | | | | |
| 34561-563 | | | | | | | | | | | | | | | | | | | | | | | | |
| 34561-584 | | | | | | | | | | | | | | | | | | | | | | | | |
| 34561-501 | | | | | | | | | | | | | | | | | | | | | | | | |
| <p>Screw, M4 x 14, PU 100 pieces, for fastening horizontal rail to side panel</p> | <p style="text-align: center;">24560-130</p> | | | | | | | | | | | | | | | | | | | | | | | |

¹⁾ SPQ (standard pack quantity): Order number includes 1 piece, but delivery is exclusively made in standard pack quantity (SPQ); please order at least the SPQ quantity or a multiple thereof

"light": loading capacity up to approx. 7.5 kg; "heavy": loading capacity > 7.5 kg

Note

- All horizontal rails without print
- 1000 mm version without M4 thread in end

Desk-top cases - *ratio*pac **PRO**/ -air

Threaded inserts, perforated strips, insulation strips

| Usable length HP | Threaded insert | | | Perforated strip (item 1) | | Insulation strip | |
|---------------------|-----------------|--|--------------------------------------|------------------------------|--------------------------------|------------------|----------------------------|
| | Length mm | M2.5 1 piece (SPQ 10) ¹⁾ | M3 1 piece (SPQ 10) ¹⁾ | Length mm | 1 piece (SPQ 10) ¹⁾ | Length mm | PU 10 pieces ²⁾ |
| 28 | 146.82 | 34561-328 | - | 147.12 | 30845-197 | 144.20 | 24560-828 |
| 42 | 217.94 | 34561-342 | - | 218.24 | 30845-211 | 210.40 | 24560-842 |
| 63 | 324.62 | 34561-363 | - | 324.92 | 30845-232 | 316.88 | 24560-863 |
| 84 | 431.30 | 34561-384 | 34561-484 | 431.60 | 30845-253 | 428.64 | 24560-884 |

Accessories

| | | | | | | |
|------------------------------------|------------------|------------------|---|------------------|---|---|
| Grub screw M2.5 x 8, PU 100 pieces | 21100-276 | - | - | - | - | - |
| Grub screw M2.5 x 9, PU 100 pieces | - | - | - | 21101-359 | - | - |
| Grub screw M3 x 8, PU 100 pieces | - | 21100-646 | - | - | - | - |

1) SPQ (standard pack quantity): Order number includes 1 piece, but delivery is exclusively made in standard pack quantity (SPQ); please order at least the SPQ quantity or a multiple thereof

2) Part no. includes one packing unit (PU); delivery is exclusively made in PU

Z-rails, perforated rails

| Usable length HP | Length mm | Z-rail for connectors | | Perforated rail | |
|--|--------------|-------------------------------------|-------------------|--------------------------------|--|
| | | DIN EN 60603-2, DIN 41612 item 1 | 31-pin, DIN 41617 | EN 606032, DIN 41612 item 1 | |
| 28 | 142.24 | 30822-033 | - | 20822-049 | |
| 42 | 213.36 | 30822-047 | - | 20822-050 | |
| 60 | 304.80 | 30822-065 | 30819-783 | 20822-047 | |
| 84 | 426.70 | 30822-089 | 30819-808 | 20822-048 | |
| Torx panhead screw, to fix connector to perforated rail, M2.5 x 7, PU 100 pieces Item 3 | | 24560-147 | 24560-147 | 24560-147 | |
| Torx panhead screw, to fix perforated rail to horizontal rail, M2.5 x 10, PU 100 pieces Item 2 | | 24560-148 | 24560-148 | 24560-148 | |



Desk-top cases - *ratio*pac PRO/ -air

Divider plates

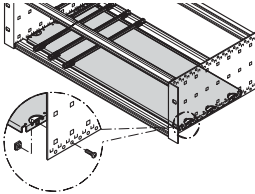
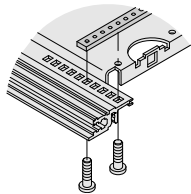
Order Information

| | | | | | Divider plates | |
|---|-------------|---------|---------|---------|------------------|--|
| <div style="display: flex; justify-content: space-around;"> <div style="text-align: center;"> <p>Mounting position for stainless steel EMC gasket</p> <p>front rear bpa45911</p> </div> <div style="text-align: center;"> <p>Mounting position for textile EMC gasket</p> <p>front rear 06105078</p> </div> </div> <p style="font-size: small; margin-top: 10px;">Stainless steel, 1 mm, is mounted by clipping onto horizontal rail, space requirement on component side 2 mm; mounting direction varies with shielding design (EMC stainless steel or textile gasket); retrofitting the divider plate in an already-assembled subrack/case will first require dismantling of the horizontal rails; where front panels are unshielded, both mounting directions are possible</p> | | | | | 1 piece | |
| Height U | Depth mm | A mm | B mm | H mm | | |
| 3 | 160 | 158.3 | 135.0 | 113.5 | 34562-761 | |
| 3 | 220 | 218.3 | 195.0 | 113.5 | 34562-762 | |
| 6 | 160 | 158.3 | 135.0 | 246.9 | 34562-763 | |
| 6 | 220 | 218.3 | 195.0 | 246.9 | 34562-764 | |

Desk-top cases - *ratio*pac **PRO**/ -air

Mounting plates

Order Information

| | | | Mounting plate | Assembly strip for partial widths |
|---|--------|---------------|--|---|
| | | |  <p style="text-align: right; font-size: small;">bpa45875</p> |  <p style="text-align: right; font-size: small;">bpa46587</p> |
| | | | Al, 1.5 mm; for mounting over partial width, please order assembly strips separately | St, 2 mm, zinc-plated; is bolted from front to rear onto the horizontal rails; to fix mounting plates |
| | Width | Board lengths | 06812002 | |
| HP | mm | mm | 1 piece | 1 piece |
| 28 | 146.88 | 160 | 34562-745 | 30840-021 |
| 28 | 146.88 | 220 | 34562-749 | 30840-033 |
| 28 | 146.88 | 280 | 34562-753 | 30840-045 |
| 28 | 146.88 | 340 | 34562-757 | 30840-057 |
| 42 | 217.99 | 160 | 34562-746 | 30840-021 |
| 42 | 217.99 | 220 | 34562-750 | 30840-033 |
| 42 | 217.99 | 280 | 34562-754 | 30840-045 |
| 42 | 217.99 | 340 | 34562-758 | 30840-057 |
| 63 | 324.67 | 160 | 34562-747 | 30840-021 |
| 63 | 324.67 | 220 | 34562-751 | 30840-033 |
| 63 | 324.67 | 280 | 34562-755 | 30840-045 |
| 63 | 324.67 | 340 | 34562-759 | 30840-057 |
| 84 | 431.35 | 160 | 34562-748 | 30840-021 |
| 84 | 431.35 | 220 | 34562-752 | 30840-033 |
| 84 | 431.35 | 280 | 34562-756 | 30840-045 |
| 84 | 431.35 | 340 | 34562-760 | 30840-057 |
| Assembly kit for mounting plate PU 1 kit (Torx countersunk screw M4 x 5, St, zinc-plated, 12 pieces; screw M4 x 6, St, zinc-plated, 10 pieces; M4 square nut, St, zinc-plated, 10 pieces) | | | 24560-184 | - |
| Assembly kit for assembly strips of mounting plate Torx screw M2.5 x 5, St, zinc-plated, PU 100 pieces | | | - | 24560-146 |

Note

- Please order fixing material for assembly of mounting plate separately
- A guide rail can be mounted on the first and last slot position
- 4.4" and "reinforced" guide rails cannot be used

Desk-top cases - *ratio*pac PRO/ -air

Horizontal board installation

Order Information

| | | | | Horizontal board installation | | |
|--|--------------------|---|--|---|-------------------------------|-------------------------|
| | | | | Board cage | Front frame for EMC shielding | Front frame, unshielded |
| <p>Struts die-cast zinc; horizontal rails front and rear; threaded insert, St, zinc-plated; fixing material kit; for horizontal mounting of double-height euroboards in 3 or 4 U high subracks/cases; 54 TE space required; please order front frame for EMC shielding separately</p> | | | | <p>2 horizontal covers, Al, 2.5 mm, front anodised, rear iridescent green chromated; 2 vertical trims, Al extrusion, clear passivated; stainless steel EMC gasket; front frame forms the contact between subrack and the sub-assemblies</p> | | |
| <p>Al, 2.5 mm, clear anodised; front frame with cut-out, clear internal width $w = 266.35$ mm</p> | | | | PU 1 kit | PU 1 kit | 1 piece |
| Height U | Usable height h HP | Other dimensions and options Horizontal rail, front Horizontal rail, rear | | | | |
| 3 | 20 | | | 24564-117 | 24564-109 | 34564-108 |
| 3 | 20 | | | 24564-118 | 24564-109 | 34564-109 |
| 4 | 28 | | | 24564-217 | 24564-209 | 34564-208 |
| <p>Assembly tool, for mounting the EMC gasket (stainless steel)</p> | | | | - | 24560-270 | - |

* For direct backplane mounting

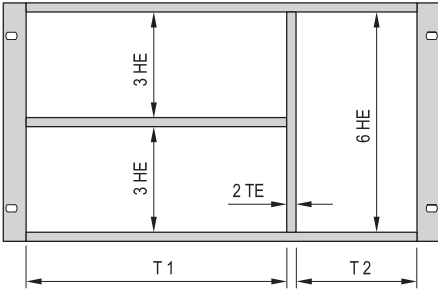
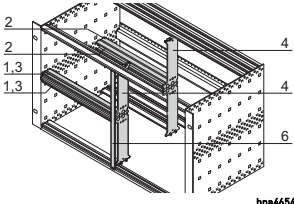
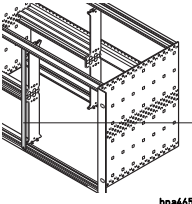
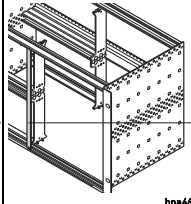
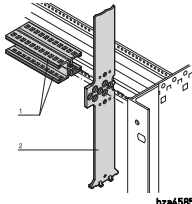
Note

- Please order front frame separately

Desk-top cases - *ratio*pac **PRO**/ -air

Combined mountings (6 U and 2 x 3 U one above the other)

Order Information

|  | Combined mounting | Alternative front panels for combined mounting | | Splitting extrusion |
|--|---|--|---|---|
| | Horizontal and vertical subdivision (incl. front panel for stainless steel EMC gasket)  Item 1: 2 front horizontal rails (H-KD), Al extrusion, anodised; item 2: 2 rear horizontal rails (AB), Al extrusion, anodised; item 3: threaded insert, St, zinc-plated; item 4: Zn diecast support member; item 6: front panel 2 HP, 6 U, shielded; with EMC stainless steel gasket (84:0 without items 4, 6) | Unshielded front panel, 6 U, 2 HP item 6  Al, 2.5 mm, front anodised, rear iridescent green chromated | Front panel for textile EMC gasket, 6 U, 2 HP item 6  Al, 2.5 mm, U-profile with notch, 6 U, 2 HP |  For combined mounting Item 2 6 U, die-cast zinc; splitting extrusion is inserted in the grid holes of the horizontal rail; the splitting extrusion can be bolted |
| Width pitch T1:T2 HP | PU 1 kit | 1 (SPQ 5) | 1 piece (SPQ 5)¹⁾ | 1 piece |
| 20:62 | 24562-420 | | | |
| 40:42 | 24562-440 | | | |
| 42:40 | 24562-442 | 30847-472 | 30849-140 | 64560-010 |
| 63:19 | 24562-463 | | | |
| 84:0 | 24562-484 | | | |
| Countersunk screw with Torx M4 x 14, zinc-plated, PU 100 pieces fixing splitting extrusion/horizontal rail | - | - | - | 24560-145 |
| Panhead screw M2.5 x 10, St, zinc-plated, PU 100 pieces fixing horizontal rail/splitting extrusion | - | - | - | 24560-179 |
| Pozidrive/slotted collar screw M2.5 x 12.3, St, nickel-plated, PU 100 pieces | - | 21101-101 | 21101-101 | - |
| Pozidrive/slotted collar screw M2.5, black, zinc-plated, PU 100 pieces | - | 21101-102 | 21101-102 | - |
| Washer, 2.7 x 5 x 1, plastic PA 6, PU 100 pieces | - | 21101-121 | 21101-121 | - |
| Textile gasket, core: foam, sleeve: textile cladding with CuNi coating, UL 94 V-0, PU 10 pieces | - | - | 21101-855 | - |

1) SPQ (standard pack quantity): Order number includes 1 piece, but delivery is exclusively made in standard pack quantity (SPQ); please order at least the SPQ quantity or a multiple thereof

- Subdivision of the 6 U assembly area into:
 - 2 x 3 U
 - 1 x 6 U
- Designed to accept Euroboards (100 mm high) and double Euroboards (233.35 mm high)

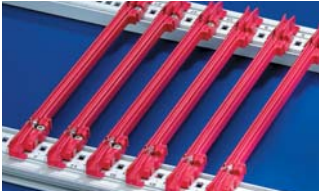
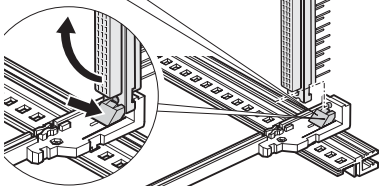
Note

- Please order EMC gasketing kit for horizontal rails separately, see page 5.19
- Please order perforated strips for horizontal rails separately, see page 5.35
- Please order rear centre horizontal rail separately, see page 5.33

Desk-top cases - *ratio*pac*PRO*/ -air

Guide rails for plug-in units and modules, one-piece, groove width 2 mm and 2.5 mm

Order Information

| | | | | |
|--|---------------------|---------------|--|---|
| Assembly - can be clipped into Al extruded horizontal rails - can be clipped into 1.5 mm thick plates Storage temperature from -40 °C ... 130 °C | | | For plug-in units and frame type plug-in units | |
| | | | Standard | With DIN connector fixing as standard |
| | | |  |  |
| | | | Up to 220 mm length, PBT, UL 94 V-0; from 280 mm length, multi-piece, end piece PBT, UL 94 V-0, central section Al extrusion | PBT, UL 94 V-0, red, connector is clipped directly onto the guide rails; for euroboards 100 x 160 mm or 100 x 220 mm only |
| | | | <small>06101001</small> | <small>06101501</small> |
| Board lengths | Groove width | Colour | PU 10 pieces²⁾ | 1 pair (SPQ 10)¹⁾ |
| 70 | 2 | red | - | - |
| 70 | 2 | grey | - | - |
| 160 | 2 | red | 24560-351 | 64560-074 |
| 220 | 2 | red | 24560-353 | 64560-075 |
| 280 | 2 | red | 24560-379 | - |
| 340 | 2 | red | 24560-380 | - |
| 160 | 2.5 | red | - | - |
| 220 | 2.5 | red | - | - |

Accessories

| | |
|---|------------------|
| Retention screw, PU 100 pieces  | 24560-141 |
| ESD clip, PU 50 pieces  | 24560-255 |

1) SPQ (standard pack quantity): Order number includes 1 piece, but delivery is exclusively made in standard pack quantity (SPQ); please order at least the SPQ quantity or a multiple thereof


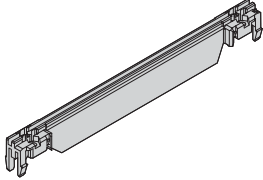

2) Part no. includes one packing unit (PU); delivery is exclusively made in PU

Description of accessories see from page 6.41

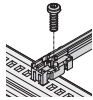
Desk-top cases - *ratiopac PRO/* -air

Guide rails type "accessories", one-piece, groove width 2 mm and 2.5 mm

Order Information

| | | | | | |
|--|---------------------|---------------|--|---|--|
| Assembly - can be clipped into horizontal rails in Al extrusion - can be clipped into 1.5 mm thick plate Storage temperature from -40 °C ... +130 °C | | | <p>"Accessories"</p>  <p>06102002</p> <p>Up to 220 mm length, PBT, UL 94 V-0; > 280 mm length, multi-piece, end piece PBT, UL 94V-0, middle section Al extrusion</p> | <p>Guide rail type "Accessories" strengthened</p>  <p>bzm46554</p> <p>PBT UL 94V-0, red; support beam of guide rails adds to strengthening</p> | <p>For heavy modules, Al extrusion, silver, robust version</p>  <p>06102005</p> <p>Al extrusion; is screwed to horizontal rail "heavy" with retention screws</p> |
| Board lengths | Groove width | Colour | PU 10 pieces²⁾ | 1 piece (SPQ 50)¹⁾ | 1 piece (SPQ 10)¹⁾ |
| mm | mm | mm | | | |
| 100 | 2 | red | - | - | - |
| 160 | 2 | red | 24560-373 | 64560-076 | - |
| 160 | 2 | grey | - | - | 34562-881 |
| 220 | 2 | red | 24560-374 | 64560-078 | - |
| 220 | 2 | grey | - | - | 34562-882 |
| 280 | 2 | red/silver | 24560-375 | 64560-080 | 34562-883 |
| 340 | 2 | red/silver | 24560-376 | - | 34562-884 |
| 400 | 2 | red/silver | - | - | 34562-885 |
| 160 | 2.5 | silver | - | - | 34564-881 |
| 220 | 2.5 | silver | - | - | 34564-882 |
| 280 | 2.5 | silver | - | - | 34564-883 |
| 340 | 2.5 | silver | - | - | 34564-884 |
| 400 | 2.5 | silver | - | - | 34564-885 |

Accessories

| | | | |
|--|------------------|------------------|------------------|
| Retention screw, PU 100 pieces  | 24560-141 | 24560-141 | 24560-157 |
| ESD clip, PU 50 pieces | 24560-255 | | - |
| Board locking, red, PU 10 pieces | 24560-377 | | - |
| Board handle, red, PU 10 pieces | 24560-378 | | - |
| Identification strips for board handle, red, PU 1 sheet = 438 pieces | 60817-228 | | - |
| Coding see page | 6.41 | | - |

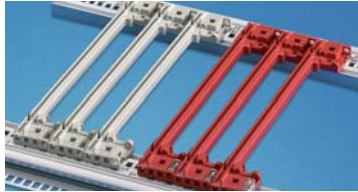
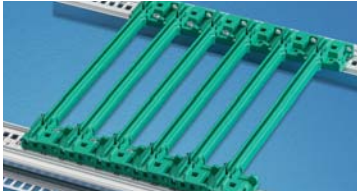
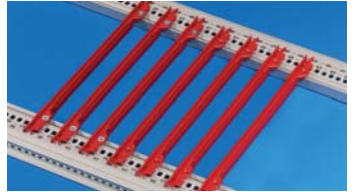
1) SPQ (standard pack quantity): Order number includes 1 piece, but delivery is exclusively made in standard pack quantity (SPQ); please order at least the SPQ quantity or a multiple thereof
 2) Part no. includes one packing unit (PU); delivery is exclusively made in PU

Description of accessories see from page 6.41

Desk-top cases - *ratio*pac **PRO** / -air

Guide rails for CompactPCI, VME64x with coding,
4.4" PCBs, groove width 2 mm and 2.5 mm

Order Information

| Assembly | | | For CompactPCI, VME64x with coding | Offset 0.1" for power supply units in accordance with IEEE 1101.10 and IEC 60297-3-103 | For 4.4" PCBs |
|---|-----------------|-----------|---|---|--|
| - can be clipped into Al extruded horizontal rails - can be clipped into 1.5 mm thick plates Storage temperature from -40 °C ... 130 °C | | | In accordance with IEEE 1101.10 and IEC 60297-3-103  <small>06106001</small> |  <small>06106002</small> |  <small>06104009</small> |
| | | | One-piece for groove width 2 mm, PBT, UL 94 V-0; multi-piece at groove width 2,5 mm, end-piece PBT, UL 94 V-0, center piece Al profile | PBT, UL 94 V-0, for installation of power supplies in CompactPCI systems or plug-in units with SMD placement | One-piece, PBT, UL 94 V-0; for 4.4" PCBs or drive units |
| Board lengths mm | Groove width mm | Colour mm | PU 10 pieces ²⁾ | PU 10 pieces ²⁾ | PU 10 pieces |
| 70 | 2 | red | 24560-355 | - | - |
| 70 | 2 | grey | 24560-360 | - | - |
| 160 | 2 | red | 24560-356 | - | 24560-361 |
| 160 | 2 | grey | 24560-358 | - | - |
| 160 | 2 | green | - | 24560-359 | - |
| 220 | 2 | red | - | - | 24560-362 |
| 220 | 2 | grey | - | - | - |
| 220 | 2 | green | - | - | - |
| 160 | 2.5 | red | - | - | - |
| 220 | 2.5 | red | 24561-330 | - | - |
| 220 | 2.5 | grey | 24561-340 | - | - |
| 280 | 2.5 | red | 24561-331 | - | - |
| 280 | 2.5 | grey | 24561-341 | - | - |
| 340 | 2.5 | red | 24561-332 | - | - |
| 340 | 2.5 | grey | 24561-342 | - | - |

Accessories

| | | | |
|--|-----------|-----------|-----------|
| ESD clip, PU 50 pieces | 24560-255 | - | - |
| ESD clips, for alignment pin, PU 50 pieces | 24560-256 | 24560-256 | - |
| Retention screw, PU 100 pieces | 24560-141 | 24560-141 | 24560-158 |
| Coding peg, PU 100 pieces | 20817-501 | 20817-501 | - |

¹⁾ SPQ (standard pack quantity): Order number includes 1 piece, but delivery is exclusively made in standard pack quantity (SPQ); please order at least the SPQ quantity or a multiple thereof

²⁾ Part no. includes one packing unit (PU); delivery is exclusively made in PU

Description of accessories see from page 6.41

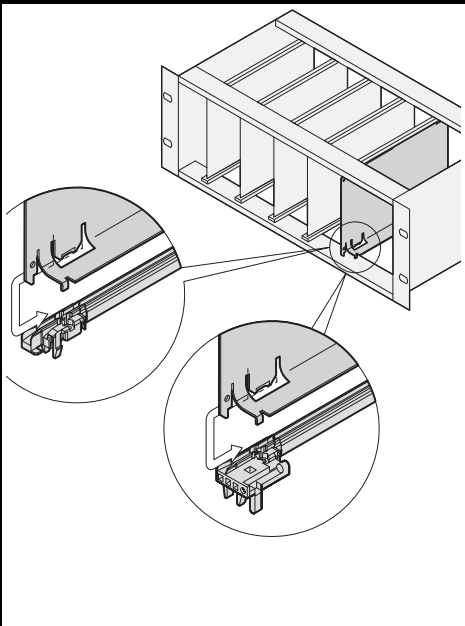
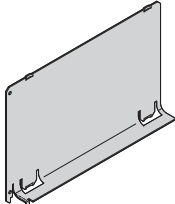
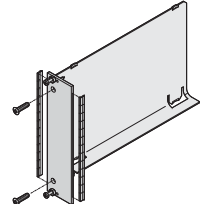
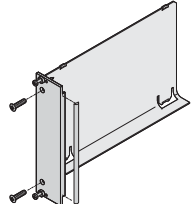
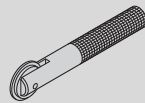
Note

- Reinforcement for plastic profiles (PVC) > 280 mm depth available on request

Desk-top cases - *ratiopac PRO* / -air

Air baffle for slots

Order Information

| | | | | | |
|--|---|--|---|--|-------------------------|
|  | | | <p>Air baffle without front panel</p>  <p>04108085</p> | <p>Air baffle with front panel</p> | |
| | | | <p>front panel with lateral groove for stainless steel EMC gasket</p>  <p>04108087</p> | <p>U front panel for textile EMC gasket</p>  <p>04108088</p> | |
| <p>Al, 1 mm, incl. assembly kit; prevents an air short circuit in unoccupied slot positions; is pushed into the groove of the guide rails</p> | <p>Air baffle, Al, 1 mm; front panel, Al, 2.5 mm, front anodised, rear conductive; EMC gasket (stainless steel); fixing material kit prevents an air short-circuit where slots are unoccupied; is pushed into the groove of the guide rails</p> | <p>Air deflector, Al, 1 mm, front panel, Al extrusion, 2.5 mm, front anodised, rear conductive; EMC gasket (textile); fixing material kit prevents an air short-circuit where slots are unoccupied; is pushed into the groove of the guide rails</p> | | | |
| <p>06101507</p> | <p>1 piece</p> | <p>1 piece</p> | <p>1 piece</p> | | |
| <p>Depth mm</p> | <p>Width HP</p> | <p>Height U</p> | <p>34562-823</p> | <p>20848-712</p> | <p>20848-728</p> |
| <p>160</p> | <p>4</p> | <p>3</p> | <p>34562-833</p> | <p>20848-720</p> | <p>20848-736</p> |
| <p>160</p> | <p>4</p> | <p>6</p> | <p>34562-836</p> | <p>20848-714</p> | <p>20848-730</p> |
| <p>160</p> | <p>8</p> | <p>3</p> | <p>34562-843</p> | <p>20848-722</p> | <p>20848-738</p> |
| <p>160</p> | <p>8</p> | <p>6</p> | <p>34562-846</p> | <p>20848-716</p> | <p>20848-732</p> |
| <p>160</p> | <p>12</p> | <p>3</p> | <p>34562-824</p> | <p>20848-724</p> | <p>20848-740</p> |
| <p>160</p> | <p>12</p> | <p>6</p> | <p>34562-827</p> | <p>20848-713</p> | <p>20848-729</p> |
| <p>220</p> | <p>4</p> | <p>3</p> | <p>34562-824</p> | <p>20848-721</p> | <p>20848-737</p> |
| <p>220</p> | <p>4</p> | <p>6</p> | <p>34562-834</p> | <p>20848-715</p> | <p>20848-731</p> |
| <p>220</p> | <p>8</p> | <p>3</p> | <p>34562-837</p> | <p>20848-723</p> | <p>20848-739</p> |
| <p>220</p> | <p>8</p> | <p>6</p> | <p>34562-844</p> | <p>20848-717</p> | <p>20848-733</p> |
| <p>220</p> | <p>12</p> | <p>3</p> | <p>34562-847</p> | <p>20848-725</p> | <p>20848-741</p> |
| <p>220</p> | <p>12</p> | <p>6</p> | <p>-</p> | <p>24560-270</p> | <p>-</p> |
| <p>Assembly tool for EMC gasket (stainless steel), 1 piece</p>  | | | | | |

Note

- Air baffle for 280 mm deep and for 80 mm rear I/O boards available on request

Appendix – Order notes

Packaging units

A packaging unit (PU) - e.g. carton, bag - contains the stated quantity. If you order the quantity 1, you will automatically receive the quantity defined as PU.

Example: EMC textile gasket
See page 5.22
Part number 21101-853

Quantity (per part number): 10 pieces

Order quantity: Delivery quantity:

1 10 pieces
2 20 pieces
3 30 pieces

Standard pack quantity (SPQ)

Please take into consideration that deliveries may be carried out in the stated SPQs (SPQ, e.g. 5 pieces, 10 pieces, 50 pieces, etc.). Differing order quantities (e.g. 2 pieces) may be changed to the next possible delivery quantity = Standard Pack Quantity (in this case 10 pieces).

Example: Front horizontal rail
See page 5.31
Part number 34560-228

Quantity (per part number): 1 piece
Standard pack quantity (SPQ): 10 pieces

Order quantity: Delivery quantity:

≤ 10 10 pieces
> 10 ≤ 20 20 pieces
> 20 ≤ 30 30 pieces

Price list

Our price list is available by e-mail from your customer consultant. Please find all contact details at www.schroff.biz/contact.

Delivery times

Part numbers in bold face type are ready for despatch within 2 working days; part numbers in normal type are ready for despatch within 10 working days.

Always up-to-date

Please visit our website www.schroff.biz where we continuously inform about news and technical changes.

Business relations

Schroff is exclusively operating in Business to Business (B2B). Private individuals can buy Schroff products via our sales representatives (see www.schroff.biz/contact).

Quick links

Catalogue request: www.schroff.biz/catalogues

Product configurators: www.schroff.biz/conf

Contact details: www.schroff.biz/contact

Product search: www.schroff.biz/oneclick

Front Panel Express: www.frontpanelexpress.eu

VARISTAR: www.varistar.co.uk

Railway technology: www.schroff.co.uk/railway

IT Infrastructure: www.schroff.co.uk/datacom

Responsible for contents and print

Schroff GmbH, Marketing Communication,
D-75334 Straubenhardt, Germany

The data in this catalogue have been thoroughly edited and checked - in assistance with an accredited Quality Management System in accordance with EN ISO 9001:2008.

Faults and spelling mistakes, but mainly changes due to improvements and further developments of our products are subject to change. There is no possibility to claim indemnity/compensation.

| | | | | | |
|--|--|-------|--|-------|-----------|
| Cabinets | Overview..... | 1.0 | LHX 20/40 Air/water heat exchangers..... | 1.224 | 1 |
| | Varistar Cabinet platform..... | 1.2 | LHX 3 Air/water heat exchangers..... | 1.236 | |
| | Varistar Electronics..... | 1.10 | Novastar..... | 1.240 | |
| | Varistar EMC..... | 1.54 | Eurorack..... | 1.270 | |
| | Varistar Seismic..... | 1.84 | Outdoor..... | 1.316 | |
| | Varistar MIL..... | 1.120 | Etsirack..... | 1.346 | |
| | Varistar Data/network systems..... | 1.124 | 19" lab racks..... | 1.354 | |
| | Varistar Containment..... | 1.202 | PROLINE..... | 1.362 | |
| | | | | | |
| Wall mounted case | Overview..... | 2.0 | | | 2 |
| | Epcase..... | 2.36 | | | |
| | LAN wall-mounted distributors..... | 2.46 | | | |
| Cabinet and wall-mounted case accessories | Overview..... | 3.0 | Monitors, keyboards, monitoring..... | 3.44 | 3 |
| | Mechanics..... | 3.2 | Socket strips..... | 3.50 | |
| | Telescopic slides..... | 3.24 | Power control socket strips..... | 3.72 | |
| | Electrical..... | 3.29 | | | |
| | | | | | |
| Climate control | Overview..... | 4.0 | Accessories..... | 4.58 | 4 |
| | Cooling concepts/service..... | 4.2 | | | |
| | 19" fan trays..... | 4.4 | | | |
| | Air filtered fans..... | 4.20 | | | |
| Desktop enclosures | Overview..... | 5.0 | Comptec..... | 5.100 | 5 |
| | RatiopacPRO..... | 5.6 | Accessories..... | 5.108 | |
| | PropacPRO..... | 5.44 | Interscale..... | 5.200 | |
| | CompacPRO..... | 5.76 | Minipac..... | 5.230 | |
| | | | | | |
| Subracks/ 19" chassis | Overview..... | 6.0 | EuropacPRO industrial applications..... | 6.86 | 6 |
| | EuropacPRO..... | 6.2 | EuropacPRO Rugged..... | 6.92 | |
| | EuropacPRO for railroad applications..... | 6.70 | MultipacPRO..... | 6.112 | |
| | | | Inpac..... | 6.128 | |
| | | | | | |
| Front panels, Plug-in-units, Frame type plug-in-units | Overview..... | 7.0 | PCB accessories..... | 7.102 | 7 |
| | Front panels..... | 7.2 | | | |
| | Plug-in units..... | 7.16 | | | |
| | Frame type plug-in units..... | 7.64 | | | |
| Systems | Overview..... | 8.0 | AdvancedMC modules..... | 8.56 | 8 |
| | AdvancedTCA..... | 8.2 | CompactPCI, Serial, PlusIO, PSB..... | 8.68 | |
| | AdvancedMC carriers..... | 8.26 | VME, VME64x, VXS, VPX..... | 8.88 | |
| | MicroTCA..... | 8.36 | Accessories..... | 8.106 | |
| | | | | | |
| Power supply systems | Overview..... | 9.0 | 19" accessories..... | 9.18 | 9 |
| | 19" AC/DC switched-mode PSUs..... | 9.2 | PSUs for MicroTCA..... | 9.20 | |
| | 19" AC/DC linear regulators..... | 9.12 | PSUs for VMEbus..... | 9.22 | |
| | 19" AC/DC convertors..... | 9.15 | PSUs for CompactPCI, VME64x..... | 9.24 | |
| | | | | | |
| Backplanes | Overview..... | 10.0 | VME64x, VMEbus..... | 10.15 | 10 |
| | CompactPCI, Serial, PlusIO..... | 10.4 | Power..... | 10.18 | |
| | PXI..... | 10.11 | Universal..... | 10.19 | |
| | VXS..... | 10.14 | Test adaptors..... | 10.20 | |
| | | | | | |
| Connectors, Front panel component systems | Overview..... | 11.0 | | | 11 |
| | Connectors..... | 11.2 | | | |
| | Front panel component system..... | 11.12 | | | |
| Appendix | Standards abbreviations..... | 12.0 | | | 12 |
| | Notes on ordering..... | 12.10 | | | |
| | Order number index..... | | | | |
| | Product index..... | | | | |