

EG 67,5-GMF/PC GN


Order No.: 2764894

Illustration shows a fully mounted version of the electronic housing

<http://eshop.phoenixcontact.de/phoenix/treeViewClick.do?UID=2764894>

Housing base, with metal foot catch

Commercial data

GTIN (EAN)	 4 017918 131944
sales group	F020
Pack	10 pcs.
Customs tariff	85369010
Catalog page information	Page 597 (CC-2011)

Product notes

WEEE/RoHS-compliant since:
04/12/2005

<http://www.download.phoenixcontact.com>
Please note that the data given here has been taken from the online catalog. For comprehensive information and data, please refer to the user documentation. The General Terms and Conditions of Use apply to Internet downloads.

Technical data

General

Housing type	Component housing
Housing material	polycarbonate
Color	green

Dimensions / positions

Length	75 mm
Width	67.5 mm
Number of positions	26

Technical data

Ambient temperature (operation)	-40 °C ... 125 °C
Inflammability class acc. to UL 94	V0
Power dissipation at 20°C in the horizontal mounting position	5 W 7.5 W

Accessories

Item	Designation	Description
Assembly		
1909320	FKCT 2,5/13-ST	Plug component, Nominal current: 12 A, Rated voltage (III/2): 320 V, Number of positions: 13, Pitch: 5 mm, Connection method: Spring-cage conn., Color: Green

General

1902220	FKCT 2,5/13-ST-5,08	Plug component, Nominal current: 12 A, Rated voltage (III/2): 320 V, Number of positions: 13, Pitch: 5.08 mm, Connection method: Spring-cage conn., Color: Green
1721045	MKKDSH 3/ 2	PC terminal block, Nominal current: 24 A, Nom. voltage: 400 V, Pitch: 5 mm, Number of positions: 2, Connection method: Screw connection, Mounting: Soldering, Conductor/PCB connection direction: 0 °, Color: green, The article can be aligned to create different nos. of positions!
1721346	MKKDSH 3/ 3	PC terminal block, Nominal current: 24 A, Nom. voltage: 400 V, Pitch: 5 mm, Number of positions: 3, Connection method: Screw connection, Mounting: Soldering, Conductor/PCB connection direction: 0 °, Color: green, The article can be aligned to create different nos. of positions!
1703283	MKKDSH 3/ 8	PC terminal block, Nominal current: 24 A, Nom. voltage: 400 V, Pitch: 5 mm, Number of positions: 8, Connection method: Screw connection, Mounting: Soldering, Conductor/PCB connection direction: 0 °, Color: green, The article can be aligned to create different nos. of positions!
1792595	MVSTBW 2,5/ 9-ST	Plug component, Nominal current: 12 A, Rated voltage (III/2): 320 V, Number of positions: 9, Pitch: 5 mm, Connection method: Screw connection, Color: Green
1792634	MVSTBW 2,5/13-ST	Plug component, Nominal current: 12 A, Rated voltage (III/2): 320 V, Number of positions: 13, Pitch: 5 mm, Connection method: Screw connection, Color: Green

Plug/Adapter

1734634	CP-MSTB	Keying profile, is inserted into the slot on the plug or inverted header, red insulating material
1734634	CP-MSTB	Keying profile, is inserted into the slot on the plug or inverted header, red insulating material
1734401	CR-MSTB	Coding section, inserted into the recess in the header or the inverted plug, red insulating material
1734401	CR-MSTB	Coding section, inserted into the recess in the header or the inverted plug, red insulating material
1784299	MVSTBW 2,5/ 4-STEHL	Plug component, Nominal current: 12 A, Rated voltage (III/2): 320 V, Number of positions: 4, Pitch: 5 mm, Connection method: Screw connection, Color: Green
1763401	MVSTBW 2,5/ 9-STEHL	Plug component, Nominal current: 12 A, Rated voltage (III/2): 320 V, Number of positions: 9, Pitch: 5 mm, Connection method: Screw connection, Color: Green

Additional products

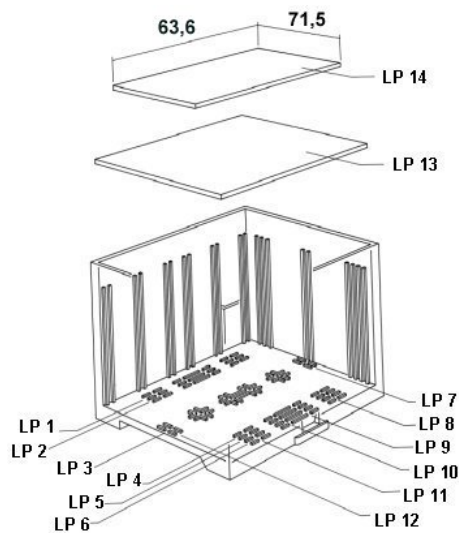
Item	Designation	Description
------	-------------	-------------

General

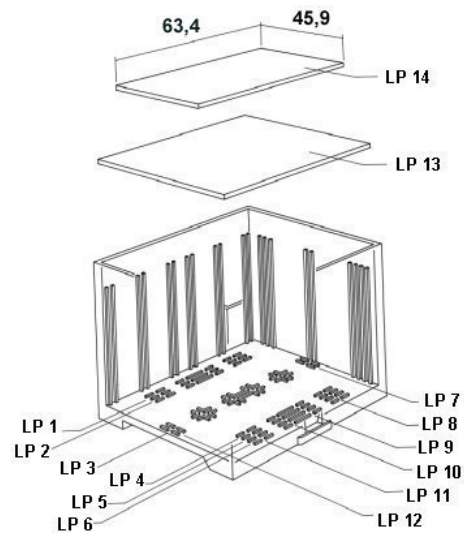
2764933	EG 67,5-A/PC GN	Housing cover,for connection on both sides
2764920	EG 67,5-AE/PC GN	Housing cover, for connection on one side
2764946	EG 67,5-AG/PC GN	Housing cover, closed

Diagrams/Drawings

Explosion drawing

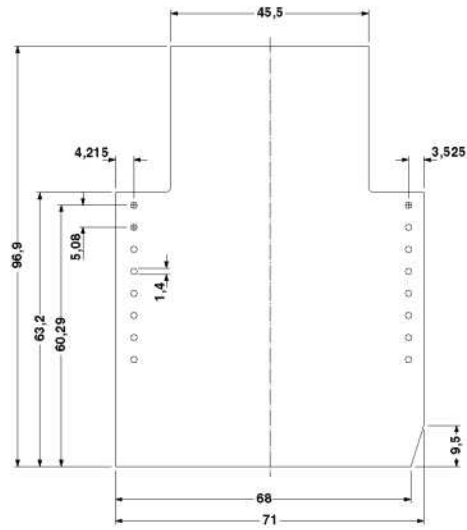
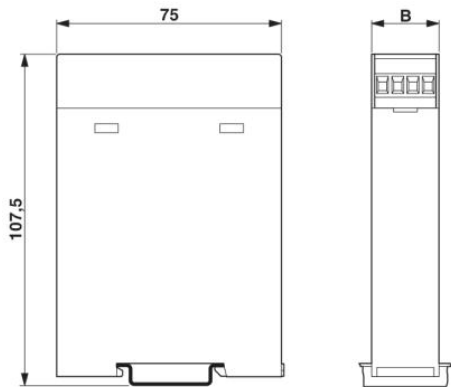


valid for PCB 13

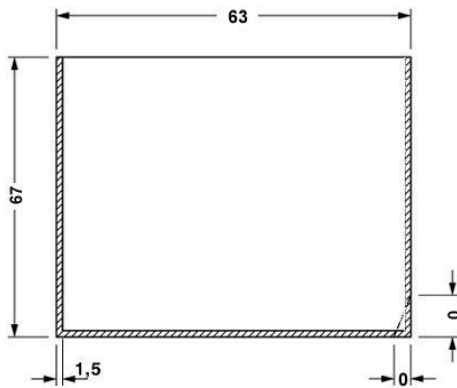


valid for PCB 14

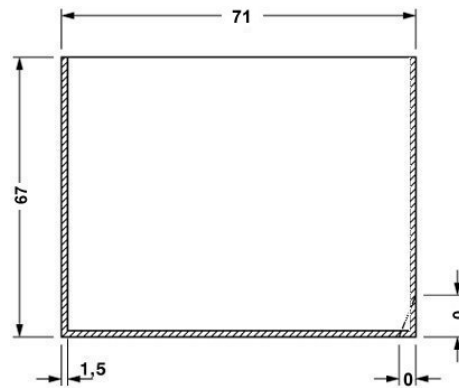
Dimensioned drawing



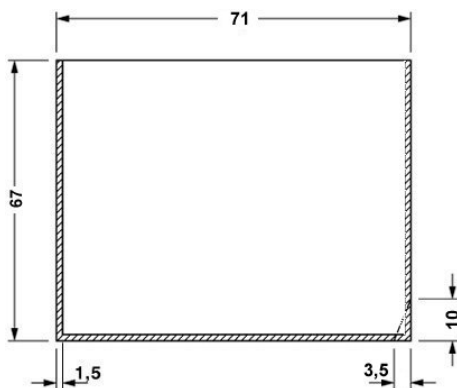
Component mounting side, if the double-level upper part is used



valid for PCB 1; 2; 3; 4; 5 und 6, see explosion drawing



valid for PCB 7; 8; 11 and 12, see explosion drawing



valid for PCB 9, see explosion drawing

Address

PHOENIX CONTACT Inc., USA
586 Fulling Mill Road
Middletown, PA 17057, USA
Phone (800) 888-7388
Fax (717) 944-1625
<http://www.phoenixcon.com>



© 2011 Phoenix Contact
Technical modifications reserved;