

Wireless module - RAD-2400-IFS - 2901541

Please be informed that the data shown in this PDF Document is generated from our Online Catalog. Please find the complete data in the user's documentation. Our General Terms of Use for Downloads are valid (<http://phoenixcontact.com/download>)



Radioline - 2.4 GHz wireless transceiver with RS-232/RS-485 interface, can be extended with I/O modules, RSMA (female) antenna connection, point-to-point, star, and mesh networks up to 250 stations, range of up to 5 km (with a clear line of sight), for worldwide use

Product Description


Radioline is the new wireless system for large systems. Special features include extremely easy assignment of inputs and outputs by simply turning the thumbwheel - without any programming. Radioline transmits I/O signals (I/O mode) or serial data (serial mode) and is therefore very versatile. Alternatively, I/O signals can now also be connected to controllers directly using the Modbus protocol (PLC/Modbus RTU mode). In addition, you can implement various network structures: from a simple point-to-point connection to complex mesh networks. Thanks to the latest Trusted Wireless technology, Radioline is the ideal choice for industrial use.

Why buy this product

- ✓ License-free 2.4 GHz frequency band
- ✓ Range of several kilometers thanks to adjustable data rates for the wireless interface (16 ... 500 kbps)
- ✓ Quick and easy startup without programming
- ✓ High degree of reliability due to Trusted Wireless 2.0 technology (AES encryption, frequency hopping method, and coexistence management)
- ✓ Mesh networks of up to 250 devices
- ✓ Integrated RS-232/RS-485 interface
- ✓ Modular extension with up to 32 I/O extension modules supported
- ✓ Extended temperature range, -40 °C ... +70 °C
- ✓ Approved for use in zone 2



Key Commercial Data

Packing unit	1 STK
GTIN	 4 046356 610193
GTIN	4046356610193
Weight per Piece (excluding packing)	220.000 g
Custom tariff number	85176200
Country of origin	Germany

Wireless module - RAD-2400-IFS - 2901541

Technical data

Note

Utilization restriction	EMC: class A product, see manufacturer's declaration in the download area
-------------------------	---------------------------------------------------------------------------

Dimensions

Width	17.5 mm
Height	99 mm
Depth	114.5 mm

Ambient conditions

Degree of protection	IP20
Ambient temperature (operation)	-40 °C ... 70 °C (>55°C derating)
	-40 °F ... 158 °F (>131°F derating)
Ambient temperature (storage/transport)	-40 °C ... 85 °C
	-40 °F ... 185 °F
Permissible humidity (operation)	20 % ... 85 %
Permissible humidity (storage/transport)	20 % ... 85 %
Altitude	2000 m
Vibration (operation)	in accordance with IEC 60068-2-6: 5g, 10 Hz ... 150 Hz
Shock	16g, 11 ms

General

Operating mode	I/O data (Default setting, configuration via thumbwheel)
	Serial data (Activation and configuration via PSI-CONF software)
	PLC/Modbus RTU mode (Activation and configuration via PSI-CONF software)
Overvoltage category	II
Assembly instructions	on standard DIN rail NS 35 in accordance with EN 60715
Degree of pollution	2
Housing material	PA 6.6-FR
Flammability rating according to UL 94	V0
MTTF	778 Years (Telcordia standard, 25°C temperature, 21% operating cycle (5 days a week, 8 hours a day))
	358 Years (Telcordia standard, 40°C temperature, 34.25% operating cycle (5 days a week, 12 hours a day))
	142 Years (Telcordia standard, temperature 40 °C, operating cycle 100 % (7 days a week, 24 hours a day))
Wireless licences	Australia
	Bahrain
	Belgium
	Bulgaria

Wireless module - RAD-2400-IFS - 2901541

Technical data

General

	Denmark
	Germany
	Estonia
	France
	Finland
	Greece
	Great Britain
	Italy
	Ireland
	Iceland
	Canada
	Croatia
	Liechtenstein
	Luxembourg
	Latvia
	Lithuania
	Malta
	Morocco
	Mexico
	Netherlands
	Norway (The device may not be operated within 20 km of Ny Ålesund town center.)
	Austria
	Poland
	Portugal
	Romania
	Russia
	Sweden
	Switzerland
	Slovakia
	Slovenia
	Singapore
	Spain
	South Africa
	South Korea
	Thailand
	Czech Republic

Wireless module - RAD-2400-IFS - 2901541

Technical data

General

	Turkey (The device may only be operated with Phoenix Contact antennas in accordance with the "Short Range Radio Devices (SRD) Regulations" Gazette No. 26464 dated March 16, 2007.)
	Hungary
	USA
	Ukraine
	United Arab Emirates
	Cyprus (rep.)
Export note	*The range may be considerably above or below that stated. It is dependent on the environment, antenna technology, transmission power, and the product used.

Supply

Supply voltage range	19.2 V DC ... 30.5 V DC
Max. current consumption	≤ 65 mA (at 24 V DC, at 25 °C, stand-alone)
Transient surge protection	Yes

Wireless interface

Antenna connection	RSMA (female)
Direction	Bi-directional
Frequency	2400 MHz
Frequency range	2.4002 GHz ... 2.4785 GHz
Number of channel groups	8
Number of channels per group	55
Channel distance	1.3 MHz
Data rate	16 kbps (adjustable)
	125 kbps (Default setting, adjustable)
	250 kbps (adjustable)
Receiver sensitivity	-106 dBm (16 kbps)
	-96 dBm (125 kbps)
	-93 dBm (250 kbps)
Transmit capacity, minimum	0 dBm
Transmit capacity, maximum	≤ 20 dBm (Outside of Europe, adjustable via software)
	≤ 19 dBm (Europe, can be set via software, depends on the data rate)
	18 dBm (Default setting, adjustable)
Range	± 5 km (The range may be considerably above or below that stated, and depends on the environment, antenna technology, and the product used)
Security	128-bit data encryption

Serial interface

Interface 1	RS-232
-------------	--------

Wireless module - RAD-2400-IFS - 2901541

Technical data

Serial interface

Connection method	COMBICON plug-in screw terminal block
Connection technology	3-conductor
Transmission length	≤ 15 m
Transmission speed	0.3 ... 115.2 kbps
Interface 2	RS-485
Connection method	COMBICON plug-in screw terminal block
Connection technology	2-wire
Transmission length	≤ 1200 m
Termination resistor	390 Ω (switchable via DIP switches)
	150 Ω (switchable via DIP switches)
	390 Ω (switchable via DIP switches)
Transmission speed	0,3 ... 187,5 kbps
Interface 3	Configuration interface
Connection method	S-PORT (socket)

System limits

Designation	Wireless module
Number of supported devices	≤ 250 (Addressing via PSI-CONF software)
	≤ 99 (Addressing via thumbwheel)
Number of possible extension modules	≤ 32 (per wireless module)
Designation	Wireless network
I/O data mode	≤ 99 (I/O extension modules per wireless network, serial interfaces deactivated)
Serial data mode	0 (no I/O extension modules can be used)
PLC/Modbus RTU mode	≤ 99 (I/O extension modules per wireless network, access to extension modules via Modbus RTU protocol)

RSSI output

Number of outputs	1
Voltage output signal	0 V ... 3 V

RF link relay output

Number of outputs	1
Contact type	PDT
Contact material	PdRu, gold-plated
Maximum switching voltage	30 V AC/DC
	60 V DC
Max. switching current	500 mA (30 V AC/DC)
Electrical service life	5 x 10 ⁵ switching cycles with 0.5 A at 30 V DC

Wireless module - RAD-2400-IFS - 2901541

Technical data

Connection data

Connection method	Screw connection
Conductor cross section solid min.	0.2 mm ²
Conductor cross section solid max.	2.5 mm ²
Conductor cross section flexible min.	0.2 mm ²
Conductor cross section flexible max.	2.5 mm ²
Conductor cross section AWG min.	24
Conductor cross section AWG max.	14
Stripping length	7 mm
Tightening torque	0.6 Nm
Screw thread	M3

Status indicator

Status display	Green LED (supply voltage, PWR)
	Green LED (bus communication, DAT)
	Red LED (periphery error, ERR)
	3x green, 1x yellow LED (LED bar graph receive quality, RSSI)
	Green LED (receive data, RX)
	Green LED (transmit data, TX)

Standards and Regulations

Electromagnetic compatibility	Conformance with EMC Directive 2014/30/EU
Standard designation	Ex Directive (ATEX)
Standards/regulations	EN 60079-0
Standard designation	Ex Directive (ATEX)
Standards/regulations	EN-60079-15
Standard designation	RED directive 2014/53/EU
Standards/regulations	EN 300328
	EN 61000-6-4
	EN 61000-6-2
	EN 50371
	EN 60950-1
	EN 61000-4-2
Contact discharge	± 6 kV (Test Level 3)
Indirect discharge	± 6 kV
Standards/regulations	EN 61000-4-3
Frequency range	26 MHz ... 3 GHz (Test Level 3)
Standards/regulations	EN 61000-4-4
Comments	Criterion B

Wireless module - RAD-2400-IFS - 2901541

Technical data

Standards and Regulations

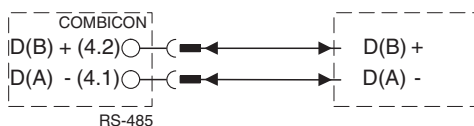
Standards/regulations	EN 61000-4-5
Signal	± 1 kV (asymmetrical)
Standards/regulations	EN 61000-4-6
Frequency range	0.15 MHz ... 80 MHz
Flammability rating according to UL 94	V0
Interface description	Trusted Wireless
Channel distance	1.3 MHz
Security	128-bit data encryption
Shock	16g, 11 ms
Vibration (operation)	in accordance with IEC 60068-2-6: 5g, 10 Hz ... 150 Hz
Conformance	CE-compliant (RED Directive 2014/53/EU)
	FCC Directive, Part 15.247
	ISC Directive RSS 210
ATEX	# II 3 G Ex nA nC IIC T4 Gc
IECEX	Ex nA nC IIC T4 Gc
UL, USA/Canada	UL 508 Listed
	Class I, Div. 2, Groups A, B, C, D T4A
	Class I, Zone 2, IIC T4
Noxious gas test	ISA-S71.04-1985 G3 Harsh Group A
Assembly instructions	on standard DIN rail NS 35 in accordance with EN 60715

Environmental Product Compliance

China RoHS	Environmentally Friendly Use Period = 50
	For details about hazardous substances go to tab "Downloads", Category "Manufacturer's declaration"

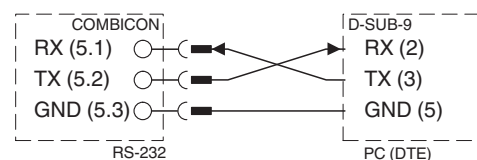
Drawings

Connection diagram



RS-485 connection

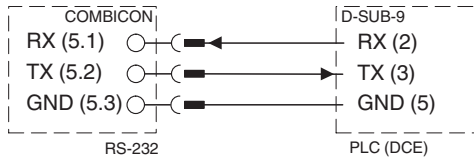
Connection diagram



RS-232 connection

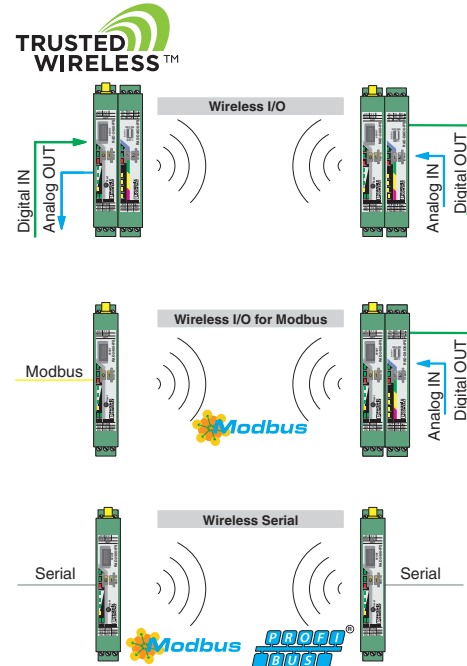
Wireless module - RAD-2400-IFS - 2901541

Connection diagram



RS-232 connection

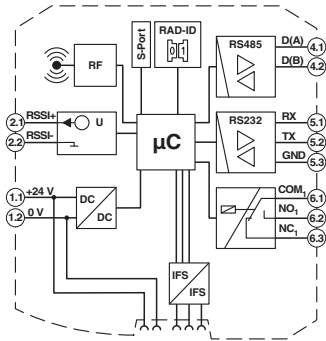
Application drawing



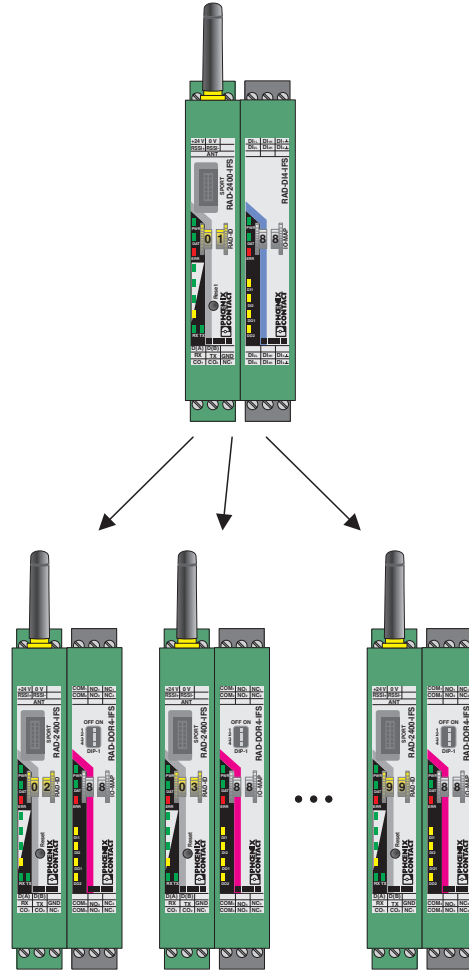
Operating modes

Wireless module - RAD-2400-IFS - 2901541

Block diagram



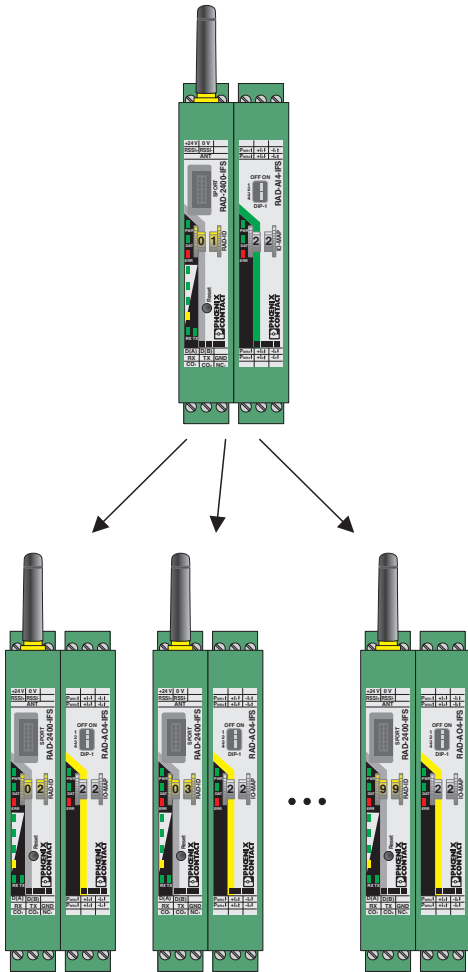
Functional drawing



Assignment of digital inputs and digital outputs

Wireless module - RAD-2400-IFS - 2901541

Functional drawing



Assignment of analog inputs and analog outputs

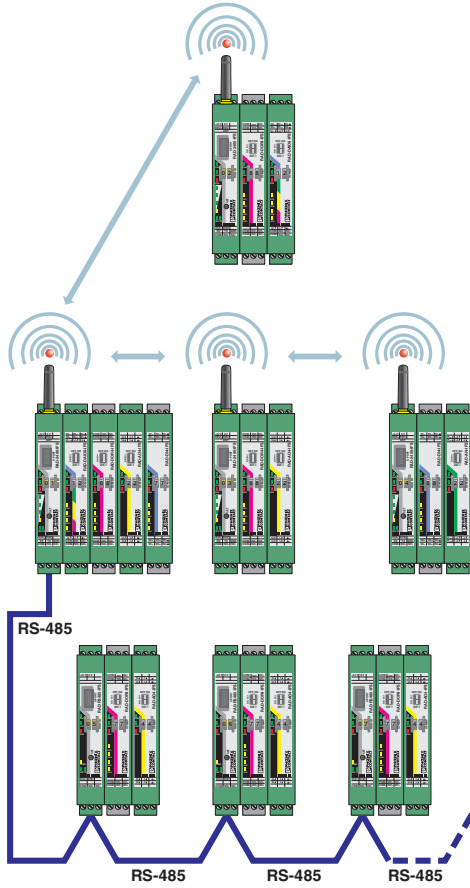
Functional drawing



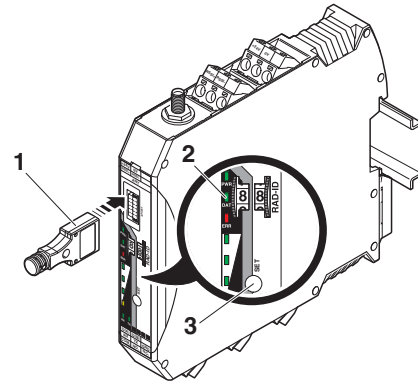
RAD-DAIO6-IFS assignment: analog/digital inputs and outputs

Wireless module - RAD-2400-IFS - 2901541

Functional drawing



Schematic diagram

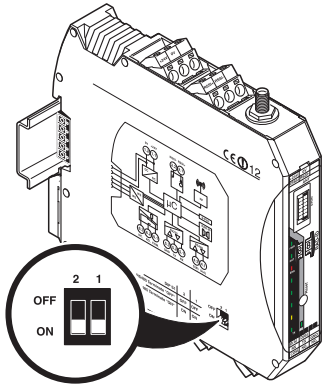


Configuration via CONFSTICK

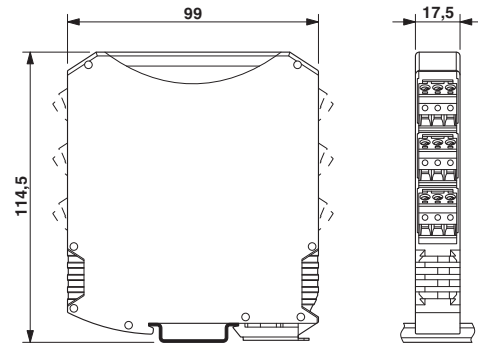
I/O-to-I/O, wireless, and RS-485

Wireless module - RAD-2400-IFS - 2901541

Schematic diagram



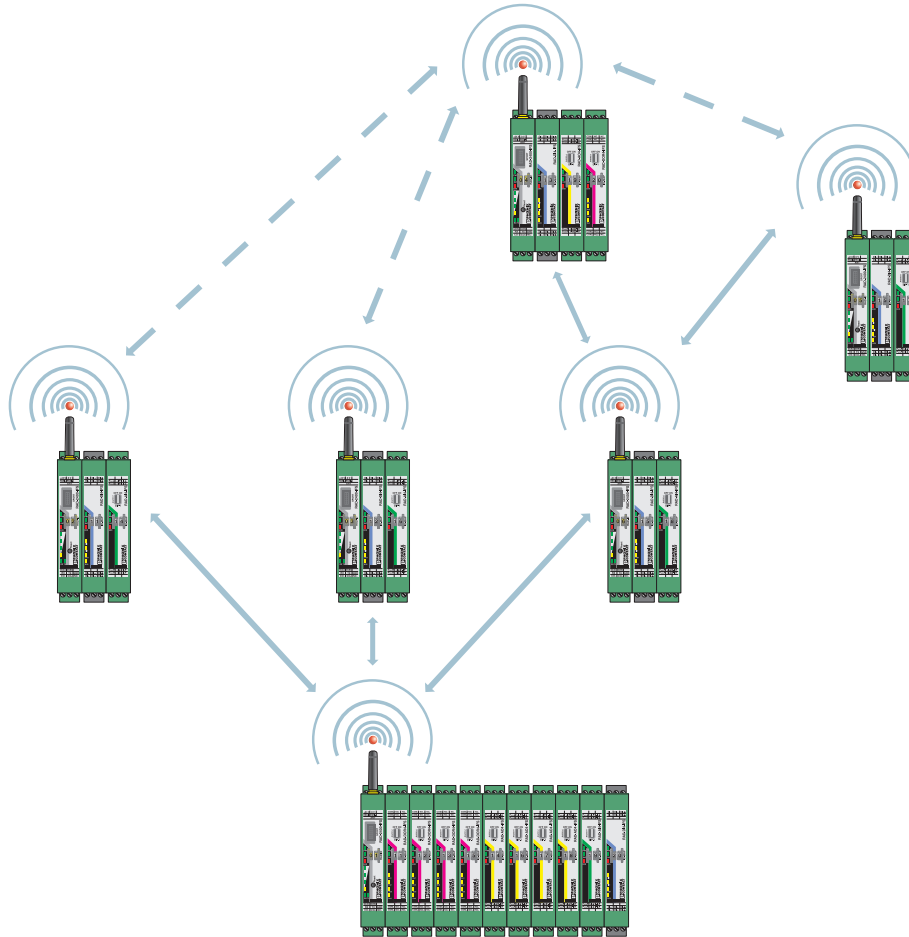
Dimensional drawing



DIP switches

Wireless module - RAD-2400-IFS - 2901541

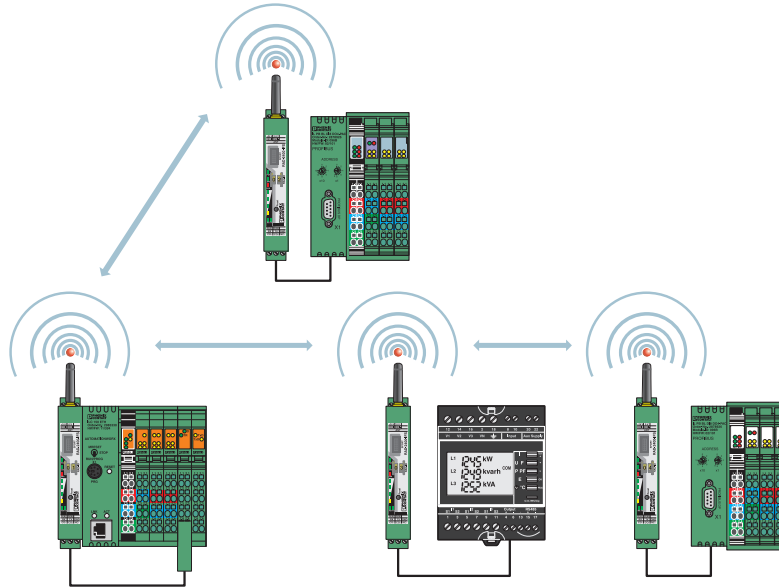
Application drawing



Wireless module in I/O data mode

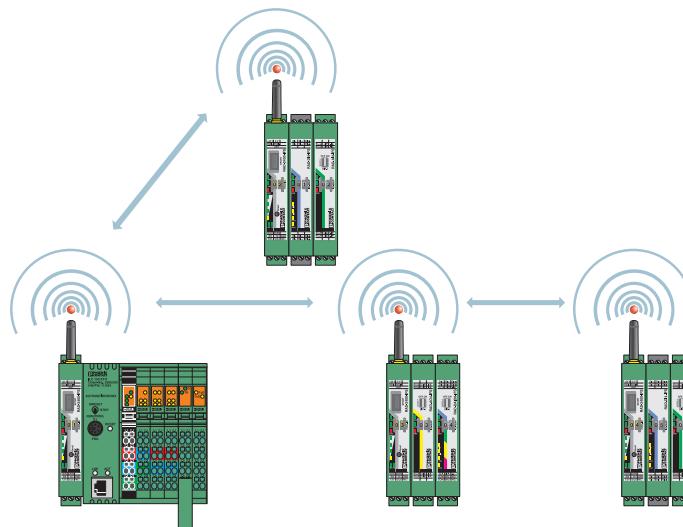
Wireless module - RAD-2400-IFS - 2901541

Application drawing



Serial data mode

Application drawing



Wireless module in PLC/Modbus RTU mode

Wireless module - RAD-2400-IFS - 2901541

Articles in set

Electronic housing - ME 17,5 TBUS 1,5/ 5-ST-3,81 GN - 2709561



DIN rail connector for DIN rail mounting. Universal for TBUS housing. Gold-plated contacts, 5-pos.

Classifications

eCl@ss

eCl@ss 4.0	27230207
eCl@ss 4.1	27230207
eCl@ss 5.0	27230207
eCl@ss 5.1	27242208
eCl@ss 6.0	27242208
eCl@ss 7.0	27242208
eCl@ss 8.0	19179290
eCl@ss 9.0	19179290

ETIM

ETIM 3.0	EC001423
ETIM 4.0	EC000310
ETIM 5.0	EC000310
ETIM 6.0	EC000310

UNSPSC

UNSPSC 6.01	30211506
UNSPSC 7.0901	43223108
UNSPSC 11	39121008
UNSPSC 12.01	43223108
UNSPSC 13.2	43222604

Approvals

Approvals

Approvals

UL Listed / cUL Listed / EAC / EAC / KC / cULus Listed

Wireless module - RAD-2400-IFS - 2901541

Approvals

Ex Approvals

IECEX / UL Listed / cUL Listed / ATEX / cULus Listed

Approval details

UL Listed		http://database.ul.com/cgi-bin/XYV/template/LISEXT/1FRAME/index.htm	FILE E 238705
-----------	--	-------------------------------------------------------------------------------------------------------------------------------------------------------	---------------

cUL Listed		http://database.ul.com/cgi-bin/XYV/template/LISEXT/1FRAME/index.htm	FILE E 238705
------------	--	-------------------------------------------------------------------------------------------------------------------------------------------------------	---------------

EAC			EAC-Zulassung
-----	--	--	---------------

EAC			RU *- DE.A*30.B.01735
-----	--	--	--------------------------

KC		http://eng.kcc.go.kr/user/ehpMain.do	MSIP-CRI- PCK-2901541
----	--	-----------------------------------------------------------------------------------------	--------------------------

cULus Listed			
--------------	--	--	--

Accessories

Accessories

Antenna

Antenna - RAD-ISM-2400-ANT-OMNI-2-1-RSMA - 2701362



Omnidirectional antenna, 2.4 GHz, gain: 2 dBi, polarization: linear, opening angle: h/v 360°/75°, degree of protection: IP65, connection: RSMA (male), incl. 1.5 m / 5 ft. connecting cable and mounting bracket for wall mounting

Wireless module - RAD-2400-IFS - 2901541

Accessories

Antenna - RAD-ISM-2400-ANT-VAN-3-0-RSMA - 2701358



Omnidirectional antenna with protection against vandalism, 2.4 GHz, gain: 3 dBi, polarization: linear, opening angle: h/v 360°/85°, degree of protection: IP55, connection: RSMA (male), for control cabinet mounting (optional wall mounting), incl. 1.5 m / 5 ft. connecting cable

Antenna - RAD-ISM-2400-ANT-OMNI-6-0 - 2885919



Omnidirectional antenna, 2.4 GHz, gain: 6 dBi, polarization: linear, opening angle: h/v 360°/30°, degree of protection: IP67, seawater-resistant, connection: N (female), incl. mounting bracket and mast clips, ATEX and IECEx approval

Antenna - RAD-ISM-2400-ANT-OMNI-9-0 - 2867623



Omnidirectional antenna, 2.4 GHz, gain: 9 dBi, polarization: linear, opening angle: h/v 360°/15°, degree of protection: IP65, connection: N (female), incl. mounting bracket and mast clips

Antenna - ANT-DIR-2459-01 - 2701186



Directional antenna, 2.4 GHz/5 GHz, gain: 9 dBi, polarization: linear, opening angle: h/v 75°/55°, degree of protection: IP67, seawater-resistant, connection: N (female), incl. mounting bracket and mast clips, ATEX and IECEx approval

Antenna - RAD-ISM-2400-ANT-PAR-19-0 - 2867885



Directional antenna, 2.4 GHz, gain: 19 dBi, polarization: linear, opening angle: h/v 17°/11°, degree of protection: IP65, connection: N (female), incl. mounting bracket and mast clips

Coaxial adapter

Wireless module - RAD-2400-IFS - 2901541

Accessories

Adapter - RAD-ADP-N/F-N/F - 2867843



Antenna adapter for control cabinet feed-through, frequency range: 0.3 GHz ... 6 GHz, degree of protection: IP65, connection: 2 x N (female)

Antenna barrier - BAR-ANT-N-N-EX - 2702198



Antenna barrier for control cabinet feed-through, type of protection: Ex i, degree of protection: IP65, barrier installation: Zone 2, antenna installation: Zone 0, 1 or 2, frequency range: 0.3 GHz ... 6 GHz, connection: 2 x N (female), ATEX and IECEx approval

Antenna splitter - RAD-SPL-2-N/N - 2702293



Antenna splitter, frequency range: 0.3 GHz ... 6 GHz, degree of protection: IP65, connection: 3 x N (female), suitable connection cable for the antenna connection (Order No. 2700677)

Adapter - RAD-ADP-RSMA/M-RSMA/F-90 - 2904790



Antenna adapter, frequency range: 0.3 GHz ... 6 GHz, connection: RSMA (male) -> RSMA (female), 90° angled

Coaxial cable

Antenna cable - RAD-PIG-EF316-N-RSMA - 2701402



Antenna cable for control cabinet feed-through, outside diameter: 3.2 mm (0.126 in.), inner conductor: stranded, attenuation: 0.6 / 0.9 / 1.4 dB at 0.9 / 2.4 / 5.8 GHz, connection: N (female) -> RSMA (male), cable length: 0.5 m (1.6 ft.)

Wireless module - RAD-2400-IFS - 2901541

Accessories

Antenna cable - RAD-PIG-RSMA/N-0.5 - 2903263



Antenna cable, outside diameter: 5 mm (0.2 in.), inner conductor: solid, attenuation: 0.4 / 0.5 / 0.6 dB at 0.9 / 2.4 / 5.8 GHz, connection: N (male) -> RSMA (male), cable length: 0.5 m (1.6 ft.)

Antenna cable - RAD-PIG-RSMA/N-1 - 2903264



Antenna cable, outside diameter: 5 mm (0.2 in.), inner conductor: solid, attenuation: 0.5 / 0.8 / 1.1 dB at 0.9 / 2.4 / 5.8 GHz, connection: N (male) -> RSMA (male), cable length: 1 m (3.3 ft.)

Antenna cable - RAD-PIG-RSMA/N-2 - 2903265



Antenna cable, outside diameter: 5 mm (0.2 in.), inner conductor: solid, attenuation: 0.9 / 1.3 / 2.0 dB at 0.9 / 2.4 / 5.8 GHz, connection: N (male) -> RSMA (male), cable length: 2 m (6.5 ft.)

Antenna cable - RAD-PIG-RSMA/N-3 - 2903266



Antenna cable, outside diameter: 5 mm (0.2 in.), inner conductor: solid, attenuation: 1.2 / 2.0 / 3.0 dB at 0.9 / 2.4 / 5.8 GHz, connection: N (male) -> RSMA (male), cable length: 3 m (10 ft.)

Antenna cable - RAD-PIG-RSMA/N-5 - 2702140



Antenna cable, outside diameter: 5 mm (0.2 in.), inner conductor: solid, attenuation: 2.0 / 3.3 / 4.8 dB at 0.9 / 2.4 / 5.8 GHz, connection: N (male) -> RSMA (male), cable length: 5 m (16 ft.)

Wireless module - RAD-2400-IFS - 2901541

Accessories

Antenna cable - FL LCX PIG-EF142-N-N - 2700677



Antenna cable, outside diameter: 5 mm (0.2 in.), inner conductor: stranded, attenuation: 0.3 / 0.5 / 0.8 dB at 0.9 / 2.4 / 5.8 GHz, connection: 2 x N (male), cable length: 0.5 m (1.6 ft.)

Antenna cable - RAD-CAB-EF393- 3M - 2867649



Antenna cable, outside diameter: 10 mm (0.4 in.), inner conductor: stranded, attenuation: 1.0 / 1.8 / 3.1 dB at 0.9 / 2.4 / 5.8 GHz, connection: 2 x N (male), cable length: 3 m (10 ft.)

Antenna cable - RAD-CAB-EF393- 5M - 2867652



Antenna cable, outside diameter: 10 mm (0.4 in.), inner conductor: stranded, attenuation: 1.6 / 2.9 / 5.0 dB at 0.9 / 2.4 / 5.8 GHz, connection: 2 x N (male), cable length: 5 m (16 ft.)

Antenna cable - RAD-CAB-EF393-10M - 2867665



Antenna cable, outside diameter: 10 mm (0.4 in.), inner conductor: stranded, attenuation: 2.9 / 5.6 / 9.9 dB at 0.9 / 2.4 / 5.8 GHz, connection: 2 x N (male), cable length: 10 m (32 ft.)

Antenna cable - RAD-CAB-EF393-15M - 2885634



Antenna cable, outside diameter: 10 mm (0.4 in.), inner conductor: stranded, attenuation: 4.3 / 8.3 / 14.8 dB at 0.9 / 2.4 / 5.8 GHz, connection: 2 x N (male), cable length: 15 m (50 ft.)

Communication module

Wireless module - RAD-2400-IFS - 2901541

Accessories

Communication module - RAD-RS485-IFS - 2702184



Radioline - RS-485 multipoint multiplexer, can be extended with I/O modules, can be used as Modbus/RTU bus coupler or can be combined with Radioline wireless system, up to 99 stations, range of up to 1.2 km on in-house copper cables

Configuration memory

Configuration memory - RAD-CONF-RF3 - 2902814



Radioline - configuration stick for easy and safe network addressing for the 2.4 GHz wireless module (RAD-2400-...), unique network ID, RF band 3

Configuration memory - RAD-CONF-RF5 - 2902815



Radioline - configuration stick for easy and safe network addressing for the 2.4 GHz wireless module (RAD-2400-...), unique network ID, RF band 5

Configuration memory - RAD-CONF-RF7 - 2902816



Radioline - configuration stick for easy and safe network addressing for the 2.4 GHz wireless module (RAD-2400-...), unique network ID, RF band 7

Configuration memory - RAD-MEMORY - 2902828



Radioline - memory stick for saving custom configuration data

Wireless module - RAD-2400-IFS - 2901541

Accessories

Control box

Control box - FL RUGGED BOX - 2701204



Control box for robust construction of wireless systems for industrial applications, IP66, 25 x 18 x 13 cm, polycarbonate material, gray, drilled, incl. DIN rail, plugs, and screw connections, without devices

DIN rail connector

Electronic housing - ME 17,5 TBUS 1,5/ 5-ST-3,81 GN - 2709561



DIN rail connector for DIN rail mounting. Universal for TBUS housing. Gold-plated contacts, 5-pos.

Extension module

I/O extension module - RAD-DAIO6-IFS - 2901533



Radioline - I/O extension module, 2 digital inputs and outputs (0 ... 250 V AC/DC) and 1 analog input (0/4 ... 20 mA) and output (0/4 ... 20 mA, 0 ... 10 V)

I/O extension module - RAD-DI4-IFS - 2901535



Radioline - I/O extension module, 4 digital inputs (0 ... 250 V AC/DC)

Wireless module - RAD-2400-IFS - 2901541

Accessories

I/O extension module - RAD-DOR4-IFS - 2901536



Radioline - I/O extension module, 4 digital relay outputs (5 A, 250 V AC/24 V DC)

I/O extension module - RAD-DI8-IFS - 2901539



Radioline - I/O extension module, 8 digital inputs (0 ... 30.5 V DC) or 2 pulse inputs up to 100 Hz

I/O extension module - RAD-DO8-IFS - 2902811



Radioline - I/O extension module, 8 digital transistor outputs (30.5 V DC/200 mA)

I/O extension module - RAD-AI4-IFS - 2901537



Radioline - I/O extension module, 4 analog current inputs (0/4 mA ... 20 mA)

I/O extension module - RAD-AO4-IFS - 2901538



Radioline - I/O extension module, 4 analog current or voltage outputs (0/4 mA ... 20 mA, 0 V ... 10 V)

Wireless module - RAD-2400-IFS - 2901541

Accessories

I/O extension module - RAD-PT100-4-IFS - 2904035



Radioline - I/O extension module, 4 Pt 100 inputs (-50°C ... +250°C / -58 °F ... 482 °F)

Interface converter

Interface converters - FL COMSERVER UNI 232/422/485 - 2313452



Second generation FL COMSERVER UNI..., serial device server for converting a serial 232/422/485 interface to Ethernet, supports TCP, UDP, Modbus gateway, and PPP applications, incl. COM port redirector software and user documentation

Mounting material

Weather protection tape - RAD-TAPE-SV-19-3 - 2903182



Vulcanizing sealing tape for external protection of adapters, cable connections, etc. against the effects of weather, roll length: 3 m

Mounting material - FL RUGGED BOX POLE SET - 2701205



Set for mast mounting of the FL RUGGED BOX housing, incl. screw clamps for masts up to 89 mm #

Power supply

Wireless module - RAD-2400-IFS - 2901541

Accessories

Power supply unit - MINI-SYS-PS-100-240AC/24DC/1.5 - 2866983



Primary-switched MINI POWER supply for DIN rail mounting, input: 1-phase, output: 24 V DC/1.5 A

Programming cable

Cable for programming - RAD-CABLE-USB - 2903447



Radioline - USB data cable for communication between the PC and Radioline devices, energy supply for diagnostics and configuration via the USB port of the PC, cable length: 2 m / 6.5 ft

Shield connection clamp

Shield connection terminal block - SKS 8-SNS35 - 3062786



Shield connection terminal block, for applying the shield to busbars

Surge protection for information technology

Surge protection device - TTC-6P-3-HF-F-M-12DC-PT-I - 2906796



Surge protection, consisting of protective plug and base element, with integrated status indicator and knife disconnection for three signal wires with common reference potential. For HF applications and telecommunications interfaces without supply voltage. Indirect grounding via gas-filled surge arrester.

Surge protection for transceiver systems

Wireless module - RAD-2400-IFS - 2901541

Accessories

Surge protection device - CN-LAMBDA/4-5.9-BB - 2838490



Attachment plug with Lambda/4 technology as surge protection for coaxial signal interfaces. Connection: N connectors socket-socket

Additional products

I/O extension module - RAD-DAIO6-IFS - 2901533



Radioline - I/O extension module, 2 digital inputs and outputs (0 ... 250 V AC/DC) and 1 analog input (0/4 ... 20 mA) and output (0/4 ... 20 mA, 0 ... 10 V)

I/O extension module - RAD-DI4-IFS - 2901535



Radioline - I/O extension module, 4 digital inputs (0 ... 250 V AC/DC)

I/O extension module - RAD-DOR4-IFS - 2901536



Radioline - I/O extension module, 4 digital relay outputs (5 A, 250 V AC/24 V DC)

I/O extension module - RAD-DI8-IFS - 2901539



Radioline - I/O extension module, 8 digital inputs (0 ... 30.5 V DC) or 2 pulse inputs up to 100 Hz

Wireless module - RAD-2400-IFS - 2901541

Accessories

I/O extension module - RAD-DO8-IFS - 2902811



Radioline - I/O extension module, 8 digital transistor outputs (30.5 V DC/200 mA)

I/O extension module - RAD-AI4-IFS - 2901537



Radioline - I/O extension module, 4 analog current inputs (0/4 mA ... 20 mA)

I/O extension module - RAD-AO4-IFS - 2901538



Radioline - I/O extension module, 4 analog current or voltage outputs (0/4 mA ... 20 mA, 0 V ... 10 V)

I/O extension module - RAD-PT100-4-IFS - 2904035



Radioline - I/O extension module, 4 Pt 100 inputs (-50°C ... +250°C / -58 °F ... 482 °F)
