


## UEGM 25 BK OHNE LOGO

Order No.: 2757306

The illustration shows a green version

<http://eshop.phoenixcontact.de/phoenix/treeViewClick.do?UID=2757306>

Electronic housing, for PCB insertion, fully equipped with 3 screw or 6  
tab connections per side

Commercial data	
GTIN (EAN)	 4 017918 272739
Note	Made-to-order
sales group	F019
Pack	10 pcs.
Customs tariff	85369010

### Product notes

WEEE/RoHS-compliant since:  
01/01/2003

<http://www.download.phoenixcontact.com>  
Please note that the data given here has been taken from the online catalog. For comprehensive information and data, please refer to the user documentation. The General Terms and Conditions of Use apply to Internet downloads.

### Certificates / Approvals



Certification

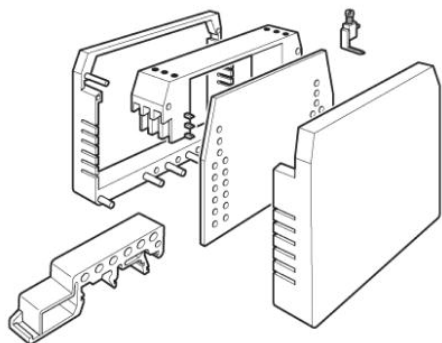
CUL, UL

### Accessories

Item	Designation	Description
<b>Cable/conductor</b>		
1406700	PT/FS 2,8	Plastic sheath, as touch protection, slide onto the conductor before for 2.8 slip-on sleeves
0604707	PT/FS 6,3	Plastic sheath, as touch protection, slide onto the conductor before for 6.3 slip-on sleeves
<b>General</b>		
2792109	P 1-UEGM	PCB, for screw and slip-on connection, for custom fitting electronic components.
<b>Marking</b>		
1050004	ZB 5 :UNBEDRUCKT	Zack strip, unprinted, 10-section, for individual labeling with M-PEN, ZB-T or CMS system, pack is sufficient for 100 terminal blocks, for a terminal width of 5.2 mm, color: White
<b>Plug/Adapter</b>		
2790389	UEG-MT-FS	Metal part for slip-on connection, to increase the number of positions.

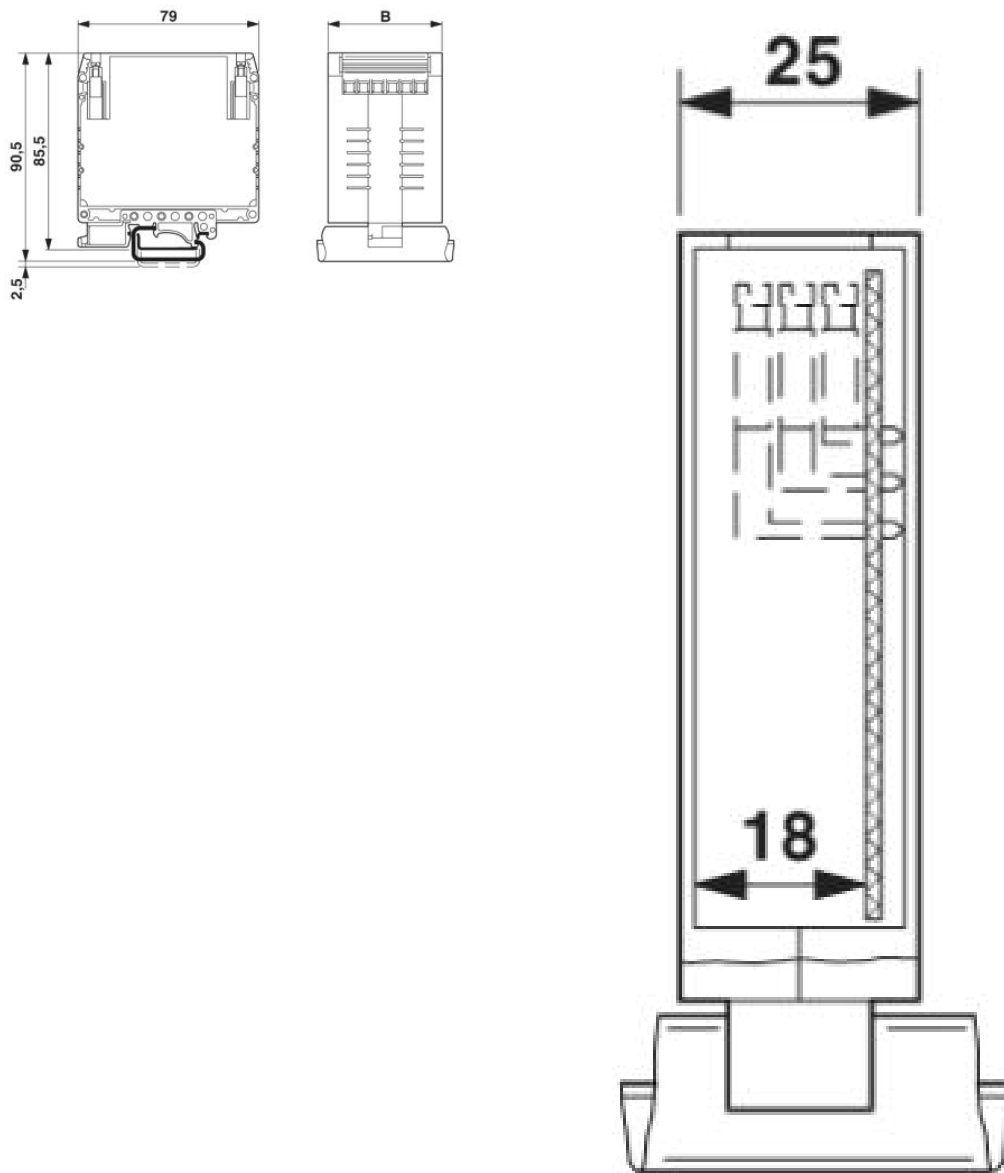
### Diagrams/Drawings

Explosion drawing

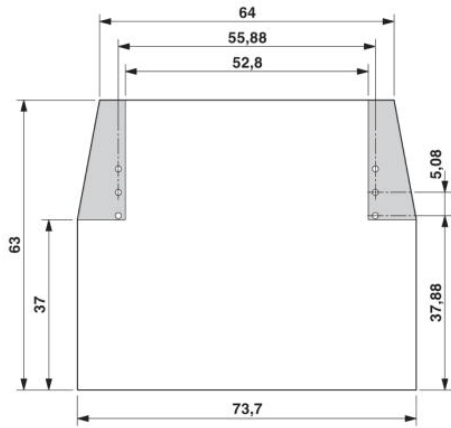


Dimensioned drawing

---

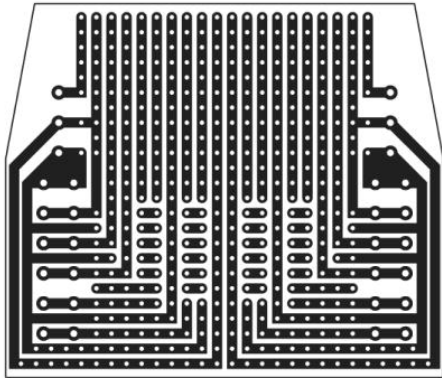


UEGM 25... und UEGM 27,5-SMD with 1  
PCB, 6 positions or 12 positions (FS/FS)



Schematic diagram

---



**Address**

PHOENIX CONTACT Inc., USA  
586 Fulling Mill Road  
Middletown, PA 17057, USA  
Phone (800) 888-7388  
Fax (717) 944-1625  
<http://www.phoenixcon.com>



© 2011 Phoenix Contact  
Technical modifications reserved;