



- Hand held enclosure for MCR and automation engineering
- Robust design (Polyamide or Polyester)
- Version with handle and integrated cable entry (Pilot 10, 20 standard)

#### Included in delivery

Pilot 10/20: enclosure with handle, including cable gland M 20 x 1,5, front panel with fastening screw and wall holder

Pilot 30: two-part Polyester enclosure with self-adhesive aluminium front panel, enclosure screws and wall holder

#### Technical data

##### Material:

Pilot 10 and Pilot 20: polyamide

Pilot 30: polyester

##### Ingress protection:

Pilot 10 and Pilot 20: IP 65 to EN 60529

Pilot 30: IP 66 to EN 60529

##### Impact resistance:

7 Joule to EN 60079-0

##### Flammability:

Pilot 10 and 20: HB / UL 94

Pilot 30: V0 / UL 94

##### Colour:

RAL 1021, rape yellow

##### Temperature range:

Pilot 10 and Pilot 20: -40°C to +60°C

Pilot 30: -25°C to +90°C

---

# Pilot 10/20/30

---

## *Programme range*

Enclosure type	Order No.	Encl. dimensions incl. handle W x L x H (mm)	Front panel dimensions W x H (mm)	Mounting depth (mm)
Pilot 10	<b>29.40 02 00</b>	70 x 93 x 190	61 x 59	67
Pilot 20	<b>29.30 01 00</b>	115 x 93 x 200	106 x 69	67
Pilot 30	<b>29.50 01 00</b>	164 x 116 x 295	70 x 280	71

## *Accessories*

Mounting plate Pilot 20	<b>29.31 00 00</b>
Wall holder (2 pcs with screws)	<b>29.60 01 00</b>
Cable gland M 20 x 1,5	<b>08.10 01 20</b>
Push button and switches see page 53 - 58	on request



### *Electromechanical components*

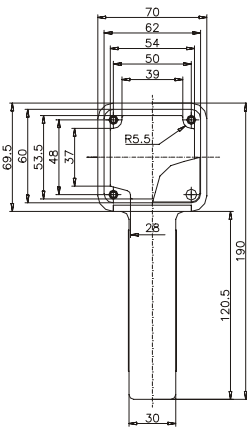
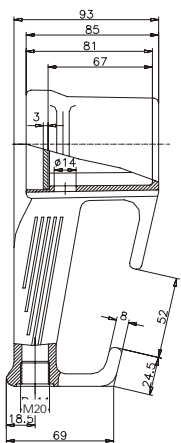
On request, we can supply equipment fitted with electro-mechanical components such as emergency stop button, acknowledge keys, hand wheel, switches, display

Dimensions

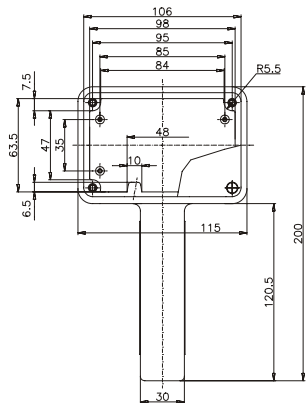
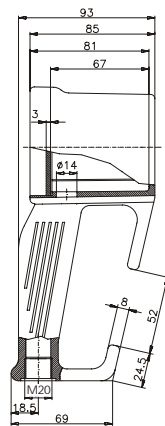


Type	Order No.	Weight (kg)
Pilot 10	29.40 02 00	0.380
Pilot 20	29.30 01 00	0.500

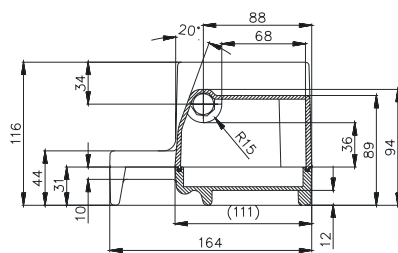
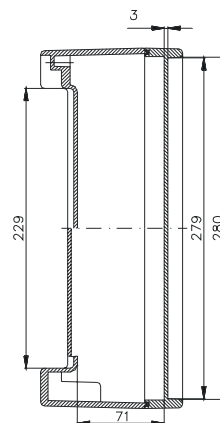
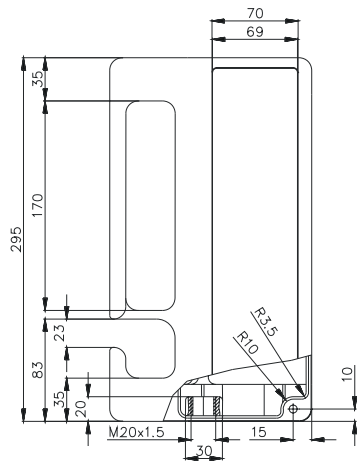
Pilot 10



Pilot 20



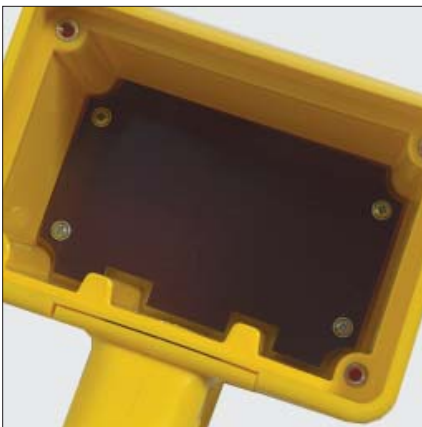
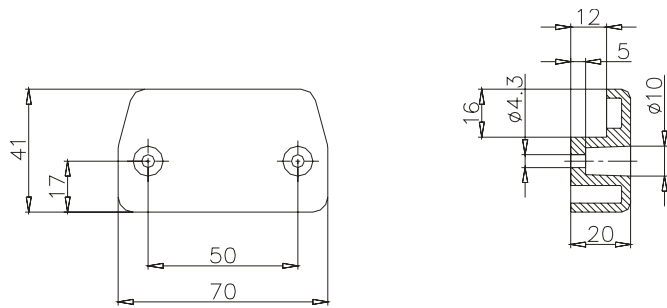
Type	Order No.	Weight (kg)
Pilot 30	29.50 01 00	2.200



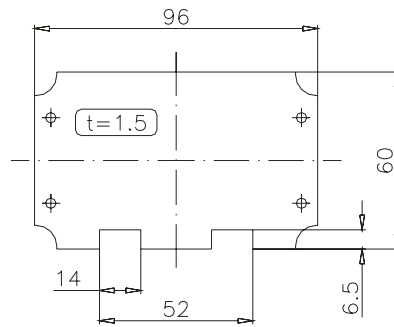
## Accessories



**Wall holder**  
Set complete with 2 fittings and screws  
Order No. 29.60.01.00



**Mounting plate Pilot 20**  
Order No. 29.31.00.00



One and two button enclosures Pilot 10 / Pilot 20



Integrated handles on Pilot 10 and Pilot 20



Multi button enclosure Pilot 30