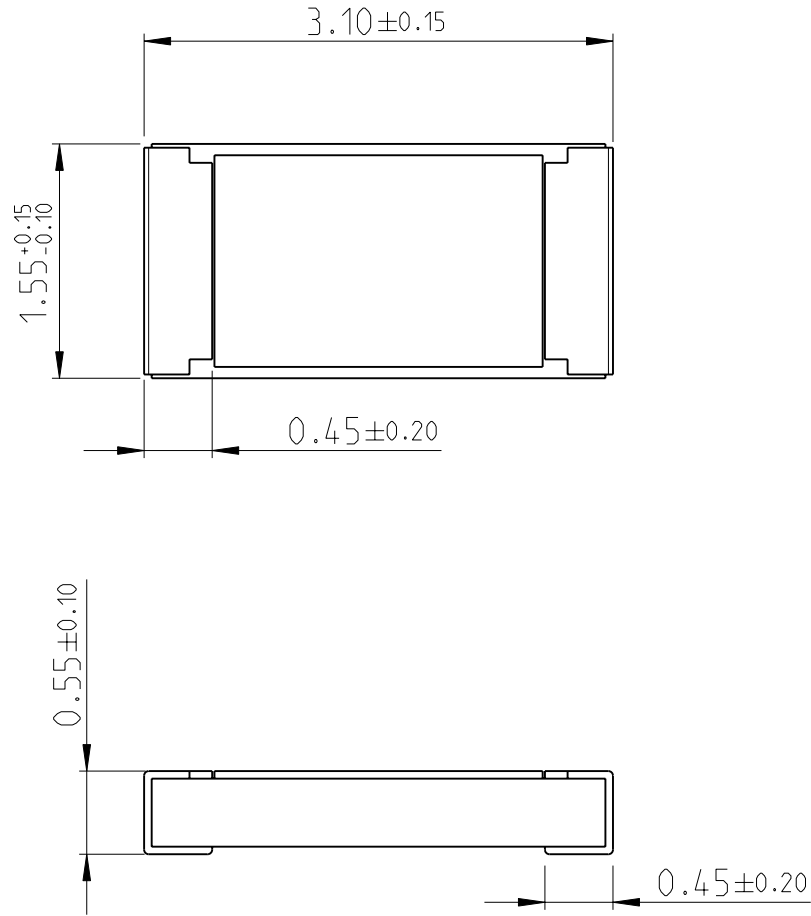
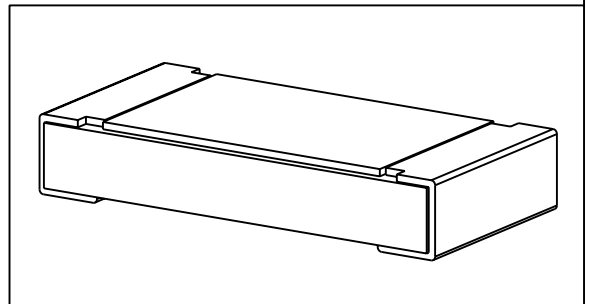


LOC	DIST	REVISIONS					
-	-	P	LTR	DESCRIPTION	DATE	DWN	APVD
		BA		NEW DRAWING	29JUN2012	KR	TN



FOR FURTHER INFORMATION SEE PRODUCT SPECIFICATION FOR CRGH SERIES

RoHS Compliant



20


RELEASED FOR PUBLICATION

ALL RIGHTS RESERVED.

BY -

© COPYRIGHT 20

THIS DRAWING IS UNPUBLISHED.

DIMENSIONS: mm	DWN	29JUN2012	MATERIAL	-	FINISH	-
	CHK	29JUN2012	 TE Connectivity			
TOLERANCES UNLESS OTHERWISE SPECIFIED:	ALLAN P	29JUN2012				
	APVD	29JUN2012	SIZE	CAGE CODE	DRAWING NO	RESTRICTED TO
	TONY N		A 4	00779	©-1879515	-
0 PLC ±	PRODUCT SPEC	-	CUSTOMER DRAWING			
1 PLC ±0.5	APPLICATION SPEC	-	SCALE	20:1	SHEET	1 OF 1
2 PLC ±0.13	WEIGHT	-	REV BA			
3 PLC ±0.013						
4 PLC ±0.0001						
ANGLES ±						

