

I/O module - IB ST 24 AO 4/SF4 - 2750578

Please be informed that the data shown in this PDF Document is generated from our Online Catalog. Please find the complete data in the user's documentation. Our General Terms of Use for Downloads are valid (<http://phoenixcontact.com/download>)



INTERBUS-ST analog output module, D/A resolution 13-bit, 4 outputs, 4 to 20 mA, 0 to 10 V, consisting of: Terminal part with screw connection and module electronics

The illustration shows version IB ST 24 AO 4/SF

Product Description

INTERBUS ST analog output modules


These INTERBUS analog output modules can be used to connect all actuators which work with the standardized voltage or current ranges 0-10 V or 0 (4) - 20 mA or -10 V to +10 V.

- Both signals are made available simultaneously for all channels, so that "current" and "voltage" actuators can be mixed.
- All commercially available actuators can be connected without additional interconnecting terminals.
- Diagnostic LEDs provide information on the operating status at any time.
- All modules can be individually labeled on the large pull-out labeling field. The insert cards can be prepared by hand, or by plotter or printer.
- In the event of failure or malfunction, the electronics of the module can be easily replaced. The passive termination block remains mounted on the rail. This means that the replacement process can be carried out in a just a few seconds and without the need for tools.
- The fuses are accessible from outside, so that a fault can be cleared quickly.
- The connection to protective earth ground is made directly via the DIN rail.
- The conventional labeling materials (Zack strip ZB-6, etc.) can be used to label the termination blocks.

Product Features

- Standard signal types (voltage and current)
- Temperature measurement modules

Key Commercial Data

Packing unit	1 pc
GTIN	 4 017918 105037
Weight per Piece (excluding packing)	650.0 g
Custom tariff number	85389091
Country of origin	Germany

Technical data

Note

Utilization restriction	EMC: class A product, see manufacturer's declaration in the download area
-------------------------	---

I/O module - IB ST 24 AO 4/SF4 - 2750578

Technical data

Dimensions

Width	118 mm
Height	117 mm
Length	116 mm

Interfaces

Interface	ST local bus
Connection method	ST local bus connector
Transmission speed	500 kBit/s

Power supply

Communications power U_L	9 V DC (from the ST local bus)
Typical current consumption	100 mA (from the ST local bus)
Max. current consumption	130 mA (from the ST local bus)
I/O voltage	24 V DC (Us)
I/O voltage range	18.5 V DC ... 30.2 V DC (Us)
Residual ripple	± 1.2 V

Electrical isolation

Test section	Bus/Outputs 500 V AC 50 Hz 1 min.
	Supply voltage/Outputs 500 V AC 50 Hz 1 min.
	Supply voltage/Ground conductor 500 V AC 50 Hz 1 min.
	I/O voltage/Ground conductor 500 V AC 50 Hz 1 min.

Outputs

No. of channels	4
Connection method	2-wire
	Screw connection
Current output signal	4 mA ... 20 mA
Load/output load current output	< 500 Ω
Quantization current output	3.93 μ A
Basic error limit	0.1 %
Voltage output signal	0 V ... 10 V (max. 5 mA)
Load/output load voltage output	> 2 k Ω
Voltage output quantization	2.44 mV
Basic error limit	0.05 %
Representation of output values	16 bit two's complement
	16 bit two's complement
Transmission of output values from the control system	All channels simultaneously
	All channels simultaneously

I/O module - IB ST 24 AO 4/SF4 - 2750578

Technical data

Outputs

DAC resolution	12 Bit
	12 Bit
Process data update	1 ms (incl. slew rate)
	1 ms (incl. slew rate)

General

Weight	600 g
--------	-------

Standards and Regulations

Test section	Bus/Outputs 500 V AC 50 Hz 1 min.
	Supply voltage/Outputs 500 V AC 50 Hz 1 min.
	Supply voltage/Ground conductor 500 V AC 50 Hz 1 min.
	I/O voltage/Ground conductor 500 V AC 50 Hz 1 min.
Connection in acc. with standard	CUL

Classifications

eCl@ss

eCl@ss 4.0	27250303
eCl@ss 4.1	27250303
eCl@ss 5.0	27250303
eCl@ss 5.1	27242601
eCl@ss 6.0	27242601
eCl@ss 7.0	27242601
eCl@ss 8.0	27242601

ETIM

ETIM 2.0	EC001431
ETIM 3.0	EC001596
ETIM 4.0	EC001596
ETIM 5.0	EC001596

UNSPSC

UNSPSC 6.01	43172015
UNSPSC 7.0901	43201404
UNSPSC 11	43172015
UNSPSC 12.01	43201404
UNSPSC 13.2	43201404

I/O module - IB ST 24 AO 4/SF4 - 2750578

Accessories

Accessories

Bridge

Jumper - IB ST LBC - 2836492



Spare local bus cable, for INTERBUS-ST modules

Insertion bridge - EB 84 IB ST BU - 2836269



Insertion bridges, divisible, isolated comb spine, color blue, 84-pos.

Insertion bridge - EB 84 IB ST RD - 2836272



Insertion bridges, divisible, isolated comb spine, color red, 84-pos.

Fuse

Fuse - IBS TR5 0,4AT - 2753478



Replacement fuse, for INTERBUS-ST modules

I/O component

I/O module - IB ST 24 AO 4/SF4 - 2750578

Accessories

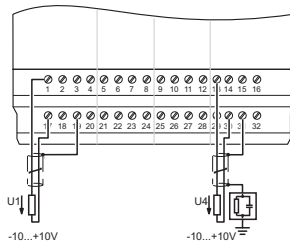
Replacement electronics module - IB STME 24 AO 4/SF4 - 2750057



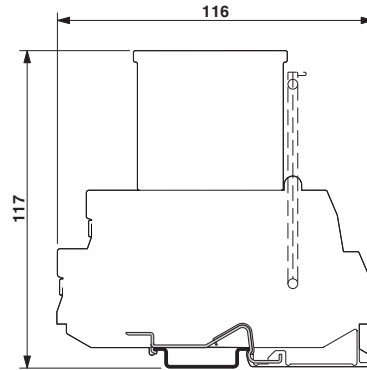
Replacement module electronics for IB ST (ZF) 24 AO 4/SF4

Drawings

Connection diagram



Dimensional drawing



Mouser Electronics

Authorized Distributor

Click to View Pricing, Inventory, Delivery & Lifecycle Information:

[Phoenix Contact:](#)

[2750578](#)