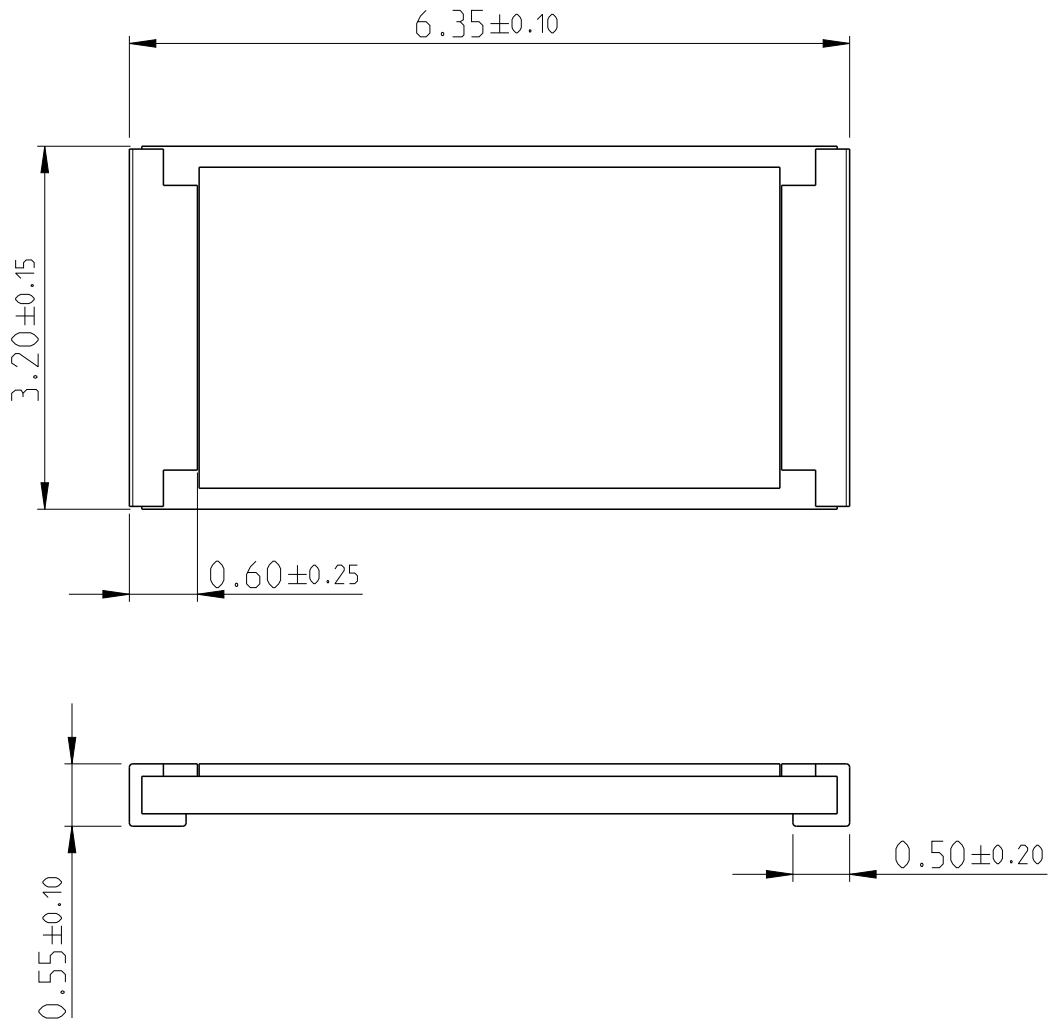
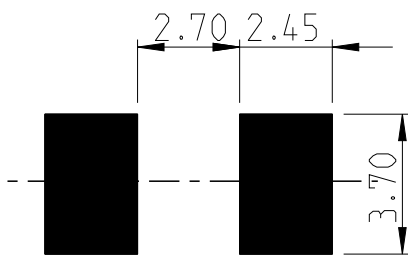


LOC	DIST	REVISIONS					
-	-	P	LTR	DESCRIPTION	DATE	DWN	APVD
		BC		ECR-16-000788	18JAN2016	KR	TN

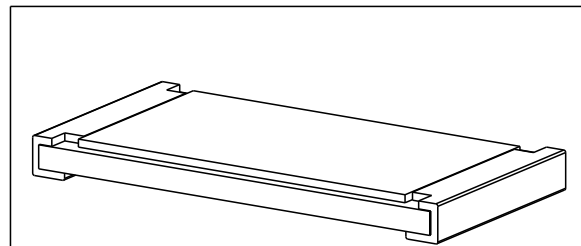


FOR FURTHER INFORMATION SEE PRODUCT SPECIFICATION FOR CRGH SERIES



PCB LAYOUT PLAN

RoHS Compliant



20

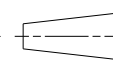
RELEASED FOR PUBLICATION

ALL RIGHTS RESERVED.

THIS DRAWING IS UNPUBLISHED.

BY -

© COPYRIGHT 20

DIMENSIONS: mm	DWN RAGHAVENDRA K 27JUN2012	MATERIAL	FINISH
TOLERANCES UNLESS OTHERWISE SPECIFIED:	CHK ALLAN P 27JUN2012	 TE Connectivity	
0 PLC ±	APVD TONY N 27JUN2012		
1 PLC ±0.5	PRODUCT SPEC	NAME SMD POWER	
2 PLC ±0.13	APPLICATION SPEC	RESISTORS - TYPE CRGH2512 SERIES	
3 PLC ±0.013	WEIGHT	SIZE	CAGE CODE
4 PLC ±0.0001	-	A 4	00779
ANGLES ±	Customer Drawing	DRAWING NO	RESTRICTED TO
		©=1879526	-
		SCALE 40:1	SHEET 1 OF 1
			REV BC

Mouser Electronics

Authorized Distributor

Click to View Pricing, Inventory, Delivery & Lifecycle Information:

[TE Connectivity:](#)

[CRGH2512F22K1](#)