

UEGM 22,5 GY OHNE LOGO

Order No.: 2792837

The illustration shows a green version



<http://eshop.phoenixcontact.de/phoenix/treeViewClick.do?UID=2792837>

Electronic housing, for PCB insertion, fully equipped with 3 screw or 6 tab connections per side

Commercial data	
GTIN (EAN)	4017918274610
Note	Made-to-order
sales group	F019
Pack	10 pcs.
Customs tariff	85369010
Weight/Piece	0.05558 KG

Product notes

WEEE/RoHS-compliant since:
01/01/2003



<http://www.download.phoenixcontact.com>
Please note that the data given here has been taken from the online catalog. For comprehensive information and data, please refer to the user documentation. The General Terms and Conditions of Use apply to Internet downloads.

Accessories

Item	Designation	Description
Bridges		
2820916	DB 50- 90 BK	Wire bridge, Color: black
2820929	DB 50- 90 GY	Wire bridge, Color: gray

Cable/conductor

1406700	PT/FS 2,8	Plastic sheath, as touch protection, slide onto the conductor before for 2.8 slip-on sleeves
0604707	PT/FS 6,3	Plastic sheath, as touch protection, slide onto the conductor before for 6.3 slip-on sleeves

General

2792109	P 1-UEGM	PCB, for screw and slip-on connection, for custom fitting electronic components.
---------	----------	--

Marking

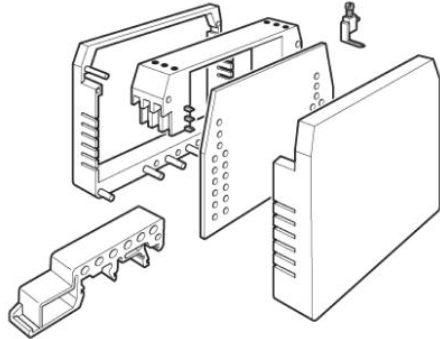
1050004	ZB 5 :UNBEDRUCKT	Zack strip, unprinted, 10-section, for individual labeling with M-PEN, ZB-T or CMS system, pack is sufficient for 100 terminal blocks, for a terminal width of 5.2 mm, color: White
---------	------------------	---

Plug/Adapter

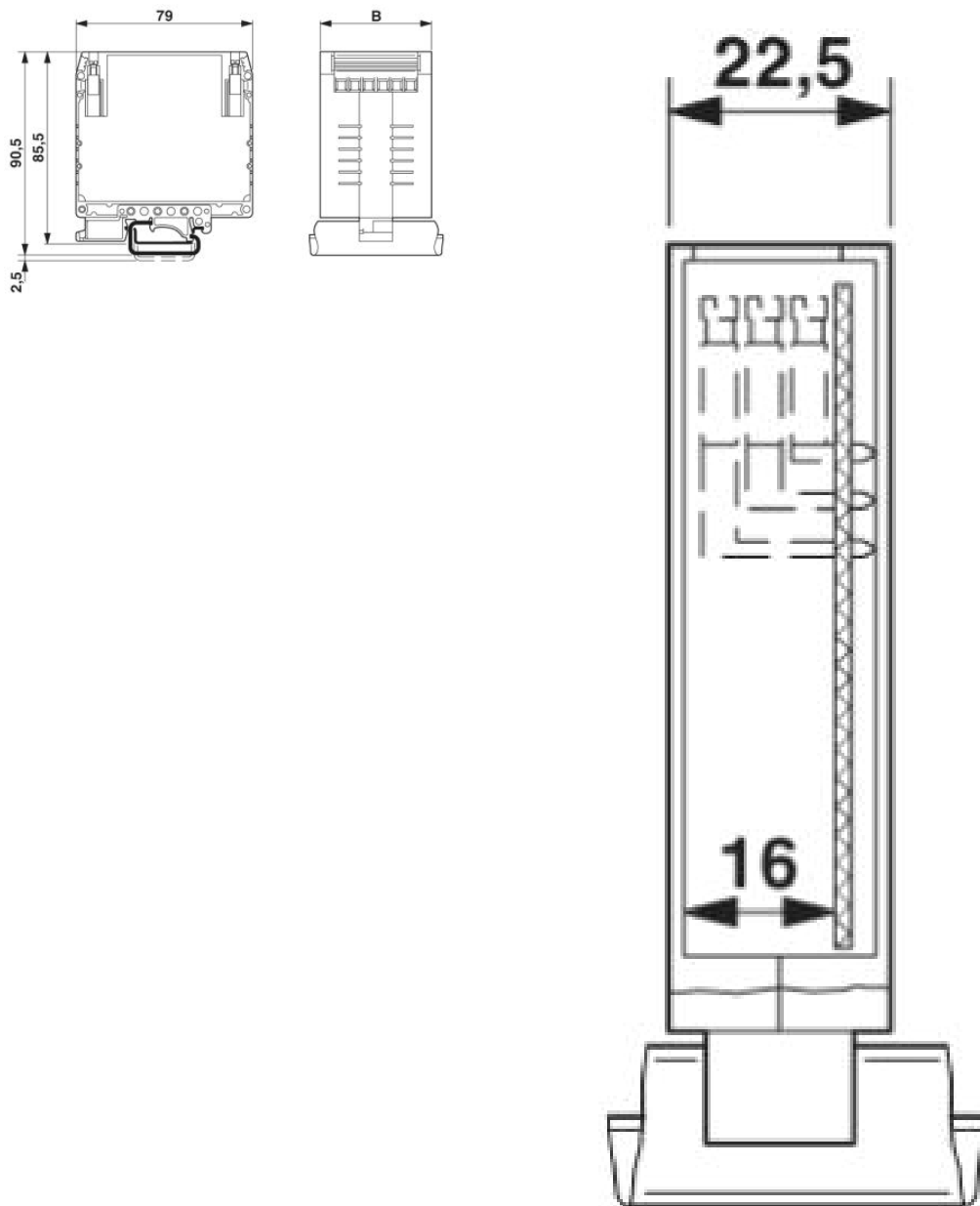
2790389	UEG-MT-FS	Metal part for slip-on connection, to increase the number of positions.
---------	-----------	---

Diagrams/Drawings

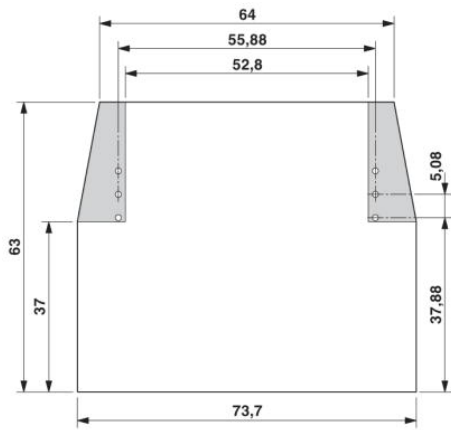
Explosion drawing



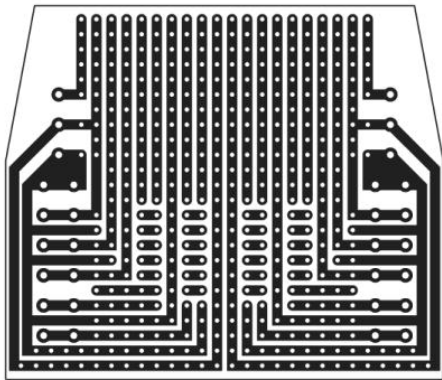
Dimensioned drawing



UEGM 22,5... with 1 PCB, 6 positions or
12 positions (FS/FS)



Schematic diagram



Address

PHOENIX CONTACT Inc., USA
586 Fulling Mill Road
Middletown, PA 17057, USA
Phone (800) 888-7388
Fax (717) 944-1625
<http://www.phoenixcon.com>



© 2010 Phoenix Contact
Technical modifications reserved;