

Router - PSI-MODEM-3G/ROUTER - 2314008

Please be informed that the data shown in this PDF Document is generated from our Online Catalog. Please find the complete data in the user's documentation. Our General Terms of Use for Downloads are valid (<http://phoenixcontact.com/download>)



Industrial UMTS/GSM router (850, 900, 1800, 1900, 2100 MHz) with Ethernet interface. Firewall, NAT and IPsec VPN support. SMA-F female antenna connector. Sending via SMS. 6 digital inputs, 4 digital outputs. Configuration via web-based management.

Product Features

- Configuration via web-based management
- Up to three VPN tunnels simultaneously
- Starting of VPN via call
- Can be used worldwide
- 2 SIM cards for maximum network availability
- High electromagnetic compatibility
- Starting of VPN via SMS
- Authentication with X.509 certificates
- Connection monitoring
- Encryption of both SIM card PINs
- Firewall
- NAT table
- 10/100 Mbps automatic detection
- Autocrossing
- UMTS mobile phone network: 850, 1900, and 2100 MHz
- Data rates of up to 7.2 Mbps
- GSM mobile phone network: 850, 900, 1800, and 1900 MHz
- Connection establishment via IP addresses



Key Commercial Data

Packing unit	1 pc
Weight per Piece (excluding packing)	320.0 g
Custom tariff number	85176200

Router - PSI-MODEM-3G/ROUTER - 2314008

Country of origin	Germany
-------------------	---------

Technical data

Dimensions

Width	45 mm
Height	99 mm
Depth	114.5 mm

Ambient conditions

Ambient temperature (operation)	-25 °C ... 65 °C (not aligned)
Ambient temperature (storage/transport)	-40 °C ... 85 °C
Permissible humidity (operation)	30 % ... 95 % (non-condensing)
Permissible humidity (storage/transport)	30 % ... 95 % (non-condensing)
Altitude	5000 m (For restrictions see manufacturer's declaration)
Degree of protection	IP20
Noise immunity	EN 61000-6-2

General

Electrical isolation	VCC // UMTS // Ethernet // PE
Test voltage data interface/data interface	1 kV (50 Hz, 1 min.)
Test voltage data interface/power supply	1 kV (50 Hz, 1 min.)
Electromagnetic compatibility	Conformance with R&TTE Directive 1999/5/EC (valid until June 12, 2016) or 2014/53/EU (valid from June 13, 2016)
Net weight	200 g
Housing material	PA 6.6-FR
Color	green
Conformance	CE-compliant
UL, USA / Canada	cULus listed UL 508

Power supply

Supply voltage range	10 V DC ... 30 V DC (via pluggable COMBICON screw terminal block)
Max. current consumption	< 800 mA (At 10 V DC (incl. 4x 50 mA for the outputs))
Typical current consumption	< 200 mA (24 V DC)
	< 90 mA (stand by)

Serial interface

Interface 1	Ethernet interface, 10/100BASE-T(X) in acc. with IEEE 802.3u
Interface	Ethernet
No. of channels	1
Connection method	RJ45 socket, shielded
Transmission length	100 m (shielded twisted pair)
Conductor cross section solid min.	0.2 mm ²

Router - PSI-MODEM-3G/ROUTER - 2314008

Technical data

Serial interface

Conductor cross section solid max.	2.5 mm ²
Conductor cross section flexible min.	0.2 mm ²
Conductor cross section flexible max.	2.5 mm ²
Conductor cross section AWG min.	24
Conductor cross section AWG max.	14
Protocols supported	TCP/IP, UDP/IP, FTP, HTTP
Auxiliary protocols	ARP, DHCP, PING (ICMP), SNMP V1, SMTP
Serial transmission speed	10/100 Mbps, auto negotiation

Radio interface

Interface description	GSM / GPRS / EDGE
Frequency	850 MHz (2 W (EGSM))
	900 MHz (2 W (EGSM))
	1800 MHz (1 W (EGSM))
	1900 MHz (1 W (EGSM))
	850 MHz (0.25 W (UMTS))
	1900 MHz (0.25 W (UMTS))
	2100 MHz (0.25 W (UMTS))
Transmission power	0.25 W
Data rate	≤ 7.2 Mbps (HSDPA)
	≤ 5.7 Mbps (HSUPA)
Antenna	50 Ω impedance SMA antenna socket
SIM interface 1	1.8 volt, 3 volt
SIM interface 2	1.8 volt, 3 volt
GPRS	Class 12, Class B
	CS1 ... CS4
EDGE	Multislot Class 10
UMTS	HSPA 3GPP R6
Network function	4 time slots for receiving data, 4 time slots for transmitting data. The PIN is saved in the modem. After a voltage interruption, there is automatic redialing into the network. Integrated TCP/IP stack, firewall and VPN support, independent connection establishment.
Network check	LED bar graph to display receive quality

Function

Management	Web-based management, SNMP
------------	----------------------------

Digital outputs

Output name	Digital output
Number of outputs	4

Router - PSI-MODEM-3G/ROUTER - 2314008

Technical data

Digital outputs

Voltage output signal	10 V DC ... 30 V DC (depending on the operating voltage)
Current output signal	≤ 50 mA (Short-circuit-proof)

Digital inputs

Description of the input	Digital input
Number of inputs	6
Voltage input signal	10 V DC ... 30 V DC

Standards and Regulations

Electromagnetic compatibility	Conformance with R&TTE Directive 1999/5/EC (valid until June 12, 2016) or 2014/53/EU (valid from June 13, 2016)
Type of test	Free fall in acc. with IEC 60068-2-32
Test result	1 m
Type of test	Vibration resistance in acc. with EN 60068-2-6/IEC 60068-2-6
Test result	5g, 10-150 Hz, 2.5 h, in XYZ direction
Type of test	Shock in acc. with EN 60068-2-27/IEC 60068-2-27
Test result	Operation: 15g, 11 ms period, half-sine shock pulse
Type of test	Shock in acc. with EN 60068-2-27/IEC 60068-2-27
Test result	Storage: 30g, 11 ms period, half-sine shock pulse
Noise immunity	EN 61000-6-2
Standards/regulations	EN 61000-4-3
	EN 61000-4-4
	EN 61000-4-6
Conformance	CE-compliant
UL, USA / Canada	cULus listed UL 508

Classifications

eCl@ss

eCl@ss 4.0	27230207
eCl@ss 4.1	27230207
eCl@ss 5.0	27230207
eCl@ss 5.1	27230207
eCl@ss 6.0	27230207
eCl@ss 7.0	27230207
eCl@ss 8.0	19170103

ETIM

ETIM 3.0	EC000310
----------	----------

Router - PSI-MODEM-3G/ROUTER - 2314008

Classifications

ETIM

ETIM 4.0	EC000740
ETIM 5.0	EC001478

UNSPSC

UNSPSC 6.01	30211506
UNSPSC 7.0901	39121008
UNSPSC 11	39121008
UNSPSC 12.01	39121008
UNSPSC 13.2	39121008

Accessories

Accessories

Antenna

Antenna - PSI-GSM/UMTS-QB-ANT - 2313371



GSM UMTS antenna, with omnidirectional characteristic, 2 m antenna cable with SMA round connector

Antenna - TC ANT MOBILE WALL 5M - 2702273



Multiband mobile phone antenna with mounting bracket for outdoor installation. 5 m antenna cable with SMA round plug

Coaxial cable

Antenna cable - PSI-CAB-GSM/UMTS- 5M - 2900980



GSM/UMTS antenna cable, 5 m long; SMA (male) -> SMA (female), 50 Ohm impedance

Router - PSI-MODEM-3G/ROUTER - 2314008

Accessories

Antenna cable - PSI-CAB-GSM/UMTS-10M - 2900981

GSM/UMTS antenna cable, 10 m long; SMA (male) -> SMA (female), 50 Ohm impedance



Surge protection for transceiver systems

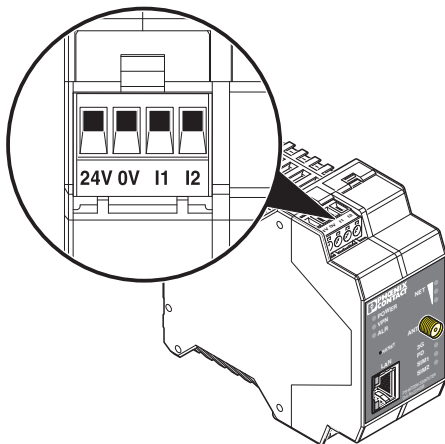
Surge protection device - CSMA-LAMBDA/4-2.0-BS-SET - 2800491



Attachment plug with Lambda/4 technology as surge protection for coaxial signal interfaces. Connection: Male/female SMA connectors.

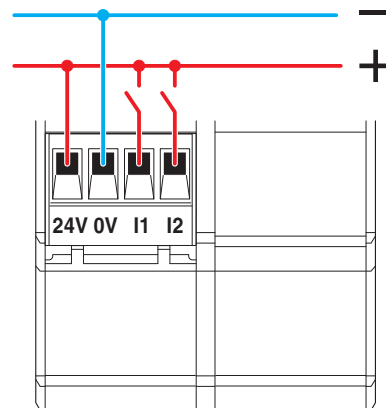
Drawings

Connection diagram



Device connections

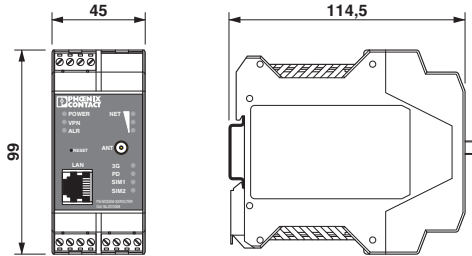
Connection diagram



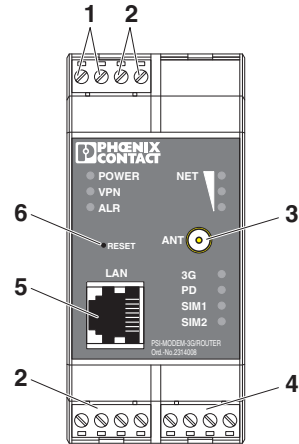
Switching inputs

Router - PSI-MODEM-3G/ROUTER - 2314008

Dimensional drawing

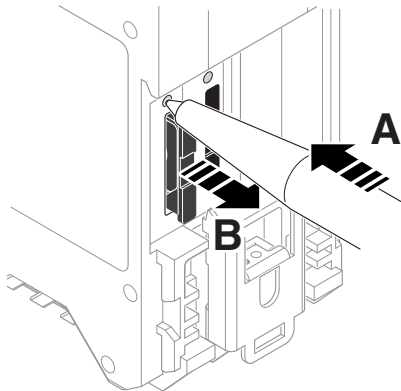


Schematic diagram



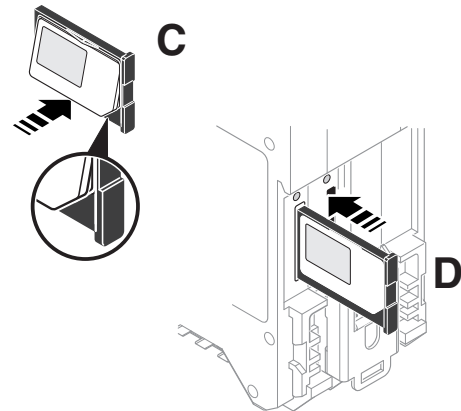
Front view

Schematic diagram



Insert the SIM card

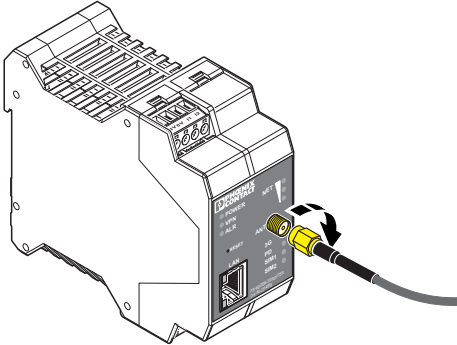
Schematic diagram



Insert the SIM card

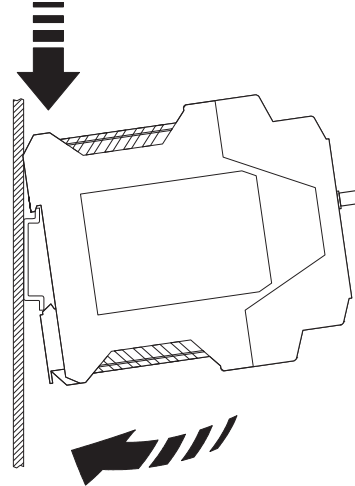
Router - PSI-MODEM-3G/ROUTER - 2314008

Schematic diagram



Connect the antenna

Schematic diagram



Assembly

Mouser Electronics

Authorized Distributor

Click to View Pricing, Inventory, Delivery & Lifecycle Information:

[Phoenix Contact:](#)

[2314008](#)