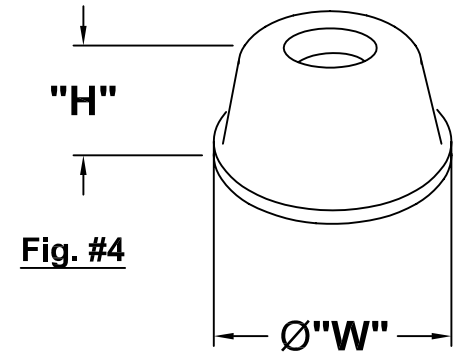
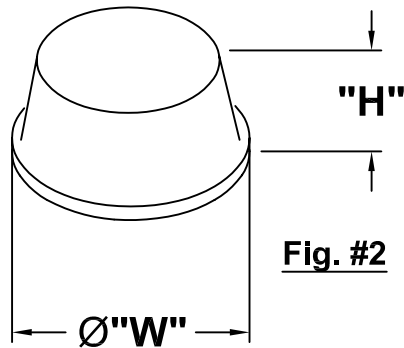
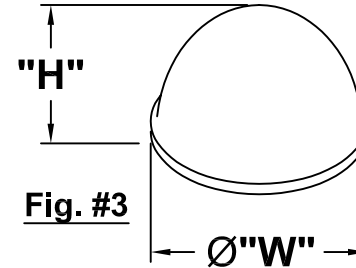
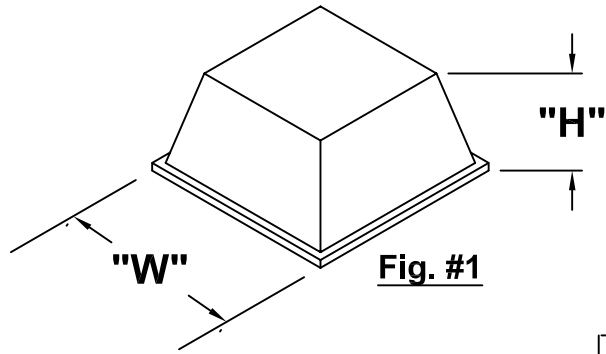


REVISIONS

DCP #	REV	DESCRIPTION	DRAWN	DATE	CHECKD	DATE	APPRVD	DATE
811	A	RELEASED	JWM	8/2/01	JC	8/24/01	DJC	8/29/01
1865	B	RoHS ADDED	DCM	10/17/05	JWM	10/18/05	JWM	10/18/05



SPC Type No.	"W" ($\pm .020$)	"H" ($\pm .020$)	Fig. No.
2558	.400 [10.2]	.10 [2.5]	1 Square
2559	$\varnothing .500$ [12.7]	12 [3.0]	
2560		.23 [5.8]	
2561		.14 [3.6]	2 Cylindrical
2562	.06 [1.5]		
2563	.25 [6.4]		
2564	$\varnothing .810$ [20.6]	.12 [3.0]	
2565	$\varnothing .370$ [9.4]	.19 [4.8]	
2566	$\varnothing .440$ [11.2]	.20 [5.1]	
2567	$\varnothing .700$ [17.8]	.38 [9.7]	
2568	$\varnothing .375$ [9.5]	.15 [3.8]	
2569	$\varnothing .620$ [15.7]	.31 [7.9]	4
2598	$\varnothing .880$ [22.4]	.40 [10.2]	

NOTES:

1. Material: Polyurethane
2. Color: Clear
3. Adhesive: See Tech Note TN-004 for Specifications & application Procedures

DISCLAIMER:
ALL STATEMENTS AND TECHNICAL INFORMATION CONTAINED HEREIN ARE BASED UPON INFORMATION AND/OR TESTS WE BELIEVE TO BE ACCURATE AND RELIABLE. SINCE CONDITIONS OF USE ARE BEYOND OUR CONTROL, THE USER SHALL DETERMINE THE SUITABILITY OF THE PRODUCT FOR THE INTENDED USE AND ASSUME ALL RISK AND LIABILITY WHATSOEVER IN CONNECTION THEREWITH.

TOLERANCES:
UNLESS OTHERWISE SPECIFIED, DIMENSIONS ARE FOR REFERENCE PURPOSES ONLY.

DRAWN BY:	DATE:
Jeff McVicker	8/2/01
CHECKED BY:	DATE:
JOHN COLE	8/24/01
APPROVED BY:	DATE:
Daniel Carey	8/29/01

DRAWING TITLE: Rubber Bumpers			
SIZE A	DWG. NO. TA-380	ELECTRONIC FILE TA-380.dwg	REV B
SCALE: NTS	U.O.M.: INCHES [mm]	SHEET: 1 OF 1	