

Power module - FB-PS-PLUG-24DC/28DC/0.5/EX - 2316132

Please be informed that the data shown in this PDF Document is generated from our Online Catalog. Please find the complete data in the user's documentation. Our General Terms of Use for Downloads are valid (<http://phoenixcontact.com/download>)



Power supply plug for fieldbus system in hazardous locations. Provides 500 mA @ 28 V DC to couplers along the trunk.



Key Commercial Data

Packing unit	1 STK
Weight per Piece (excluding packing)	228.000 g
Custom tariff number	85044082
Country of origin	United States

Technical data

Note

Utilization restriction	EMC: class A product, see manufacturer's declaration in the download area
-------------------------	---------------------------------------------------------------------------

Dimensions

Width	17.5 mm
Height	117.6 mm
Depth	115 mm

Ambient conditions

Degree of protection	IP20
Ambient temperature (operation)	-40 °C ... 70 °C
Ambient temperature (storage/transport)	-40 °C ... 85 °C
Max. permissible relative humidity (operation)	95 % (non-condensing)

Input data

Nominal input voltage	24 V DC
Nominal input voltage range	18.5 V DC ... 30.5 V DC

Power module - FB-PS-PLUG-24DC/28DC/0.5/EX - 2316132

Technical data

Output data

Output voltage range	28 V DC ... 30 V DC (on the trunk)
Nominal output current (I_N)	500 mA
Connection in parallel	Yes, for redundancy
Connection in series	No
Output power	13.5 W

General

Net weight	181 g
Assembly instructions	Plug-in connections may only be operated only when there is no load/voltage.

Connection data, output

Connection method	Plug connection
-------------------	-----------------

Signaling

Output name	Power OK
-------------	----------

Safety data

Input voltage U_i	30.5 V DC (input power)
Input current I_i	850 mA (input power)
Max. output voltage U_o	30 V DC (trunk and host)
ATEX	Sira 11ATEX4216X; II 3 G Ex nA nC IIC T4 Gc
IECEX	IECEX SIR 11.0097X; Ex nA nC IIC T4 Gc
CSA, USA/Canada	Class I, Div. 2, Groups A, B, C, D; Ex nA nC IIC T4 Class I, Zone 2, AEx nA nC IIC T4

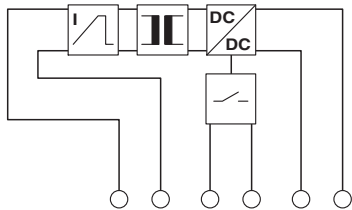
Standards and Regulations

Standards/regulations	NE21
	EN 61326
Fieldbus Foundation	FF-831
ATEX	Sira 11ATEX4216X; II 3 G Ex nA nC IIC T4 Gc
IECEX	IECEX SIR 11.0097X; Ex nA nC IIC T4 Gc
CSA, USA/Canada	Class I, Div. 2, Groups A, B, C, D; Ex nA nC IIC T4 Class I, Zone 2, AEx nA nC IIC T4

Drawings

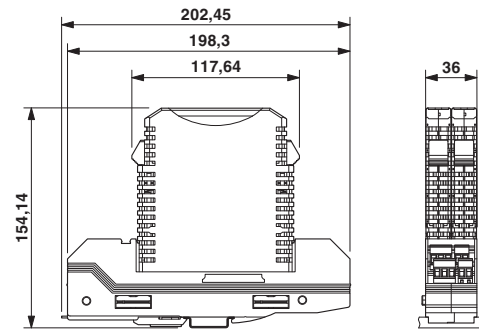
Power module - FB-PS-PLUG-24DC/28DC/0.5/EX - 2316132

Block diagram



Connection diagram: FB-PS-PLUG-24DC/28DC/0.5/EX

Dimensional drawing



Power supply base and plug

Approvals

Approvals

Approvals

EAC

Ex Approvals

IECEX / ATEX / CSA / CSAus / cCSAus

Approval details

EAC 7500651.22.01.00242
