


## UEGM 22,5 BK

Order No.: 2792895

The illustration shows a green version

<http://eshop.phoenixcontact.de/phoenix/treeViewClick.do?UID=2792895>

Electronic housing, for PCB insertion, fully equipped with 3 screw or 6  
tab connections per side

Commercial data	
GTIN (EAN)	 4 017918 252373
Note	Made-to-order
sales group	F011
Pack	10 pcs.
Customs tariff	85369010

**Product notes**WEEE/RoHS-compliant since:  
01/01/2003

[http://  
www.download.phoenixcontact.com](http://www.download.phoenixcontact.com)  
Please note that the data given  
here has been taken from the  
online catalog. For comprehensive  
information and data, please refer  
to the user documentation. The  
General Terms and Conditions of  
Use apply to Internet downloads.

**Certificates / Approvals**

Certification

CUL, UL

### Accessories

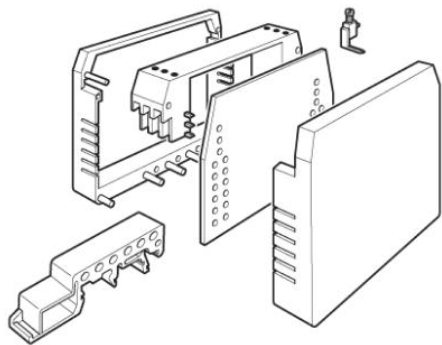
Item	Designation	Description
------	-------------	-------------

### Bridges

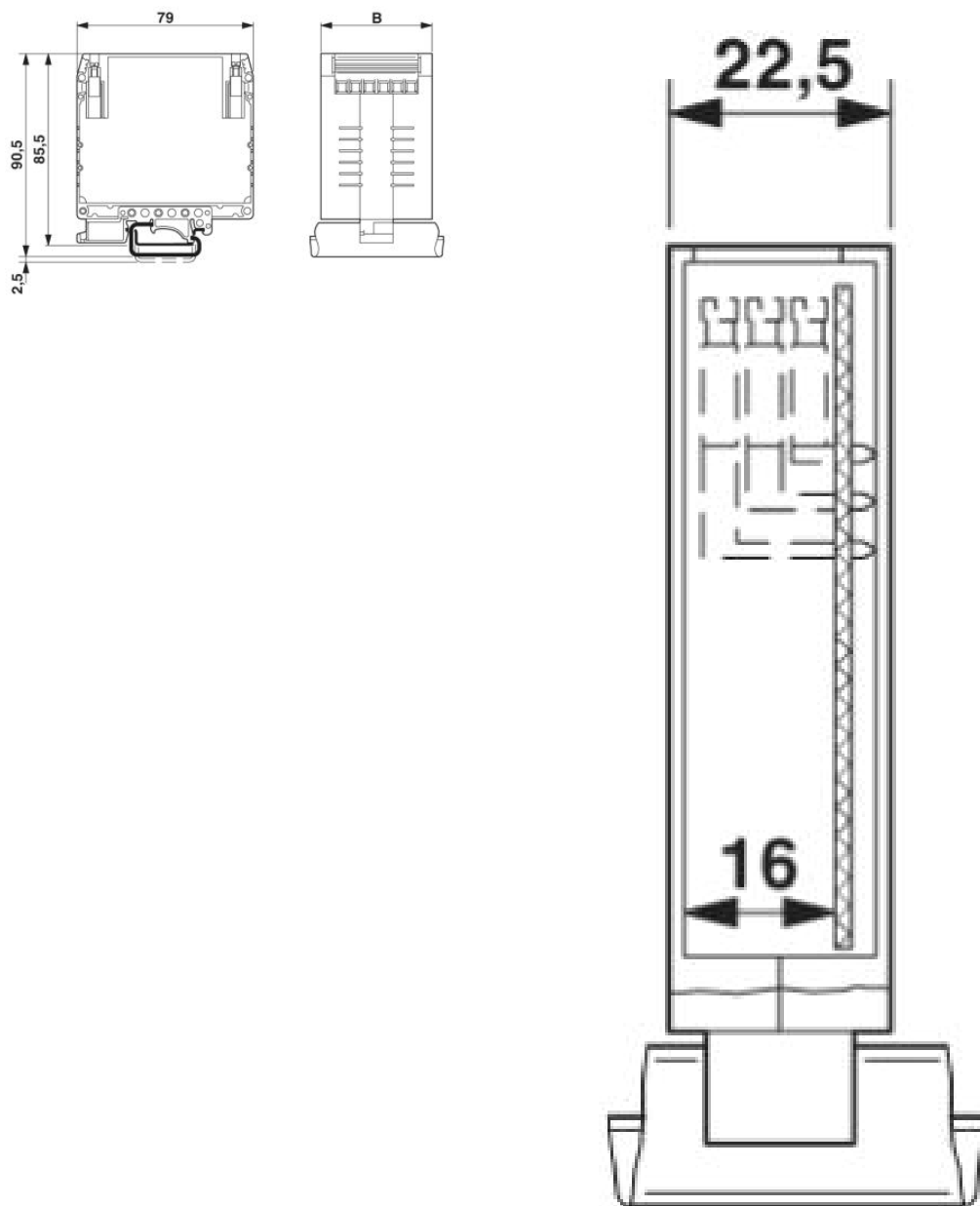
2820929	DB 50- 90 GY	Wire bridge, Color: gray
---------	--------------	--------------------------

### Diagrams/Drawings

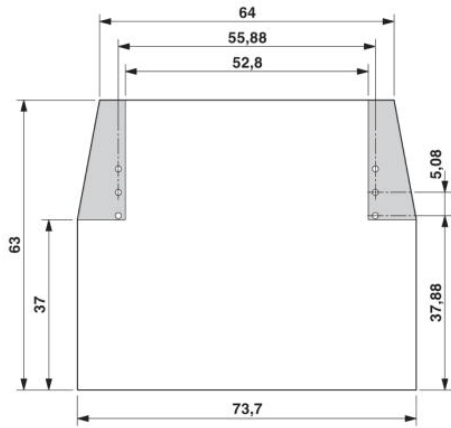
Explosion drawing



Dimensioned drawing

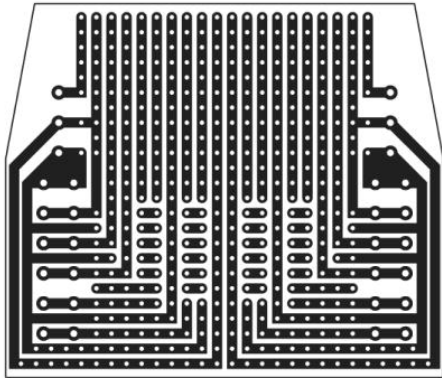


UEGM 22,5... with 1 PCB, 6 positions or  
12 positions (FS/FS)



Schematic diagram

---



**Address**

PHOENIX CONTACT Inc., USA  
586 Fulling Mill Road  
Middletown, PA 17057, USA  
Phone (800) 888-7388  
Fax (717) 944-1625  
<http://www.phoenixcon.com>



© 2011 Phoenix Contact  
Technical modifications reserved;