

EG 67,5-AE/ABS GN


Order No.: 2907347

Illustration shows a fully mounted version of the electronic housing



<http://eshop.phoenixcontact.de/phoenix/treeViewClick.do?UID=2907347>

Housing cover, for connection on one side

Commercial data	
GTIN (EAN)	
Note	Made-to-order
sales group	F020
Pack	10 pcs.
Customs tariff	85369010
Catalog page information	Page 595 (CC-2011)

Product notes

WEEE/RoHS-compliant since:
01/01/2003



<http://www.download.phoenixcontact.com>
Please note that the data given here has been taken from the online catalog. For comprehensive information and data, please refer to the user documentation. The General Terms and Conditions of Use apply to Internet downloads.

Technical data	
General	
Housing type	Upper part
Housing material	ABS
Color	green
Dimensions / positions	
Length	75 mm

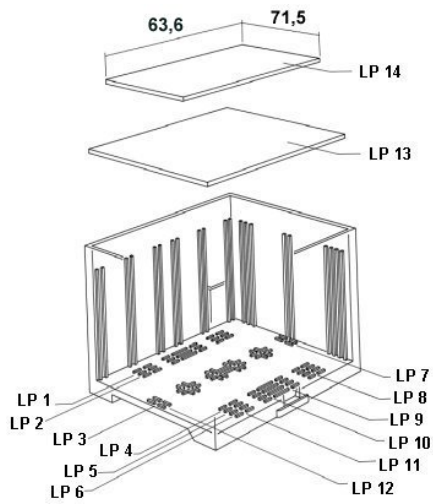
Constructional height	17.5 mm
Width	67.5 mm
Number of positions	26

Technical data

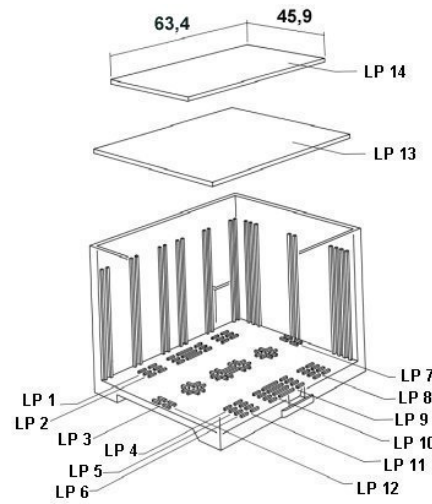
Ambient temperature (operation)	80 °C
Inflammability class acc. to UL 94	HB

Diagrams/Drawings

Explosion drawing

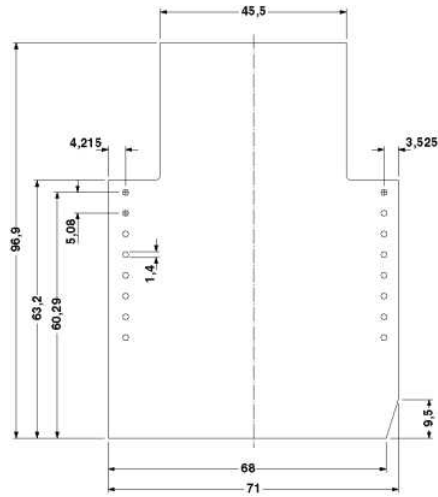
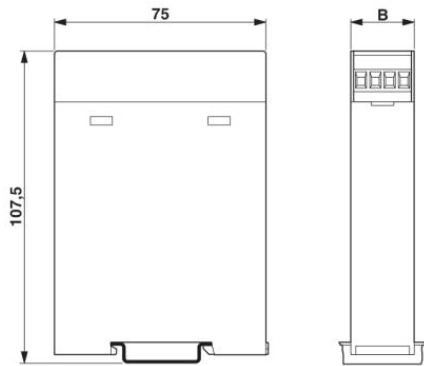


valid for PCB 13

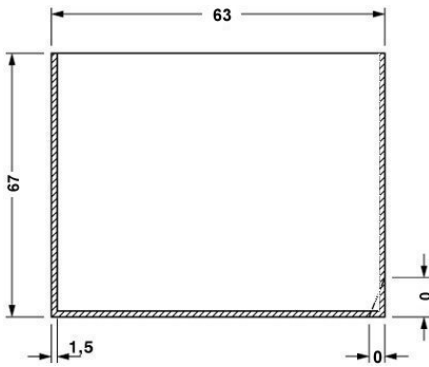


valid for PCB 14

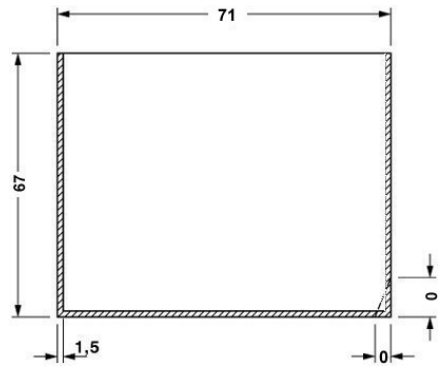
Dimensioned drawing



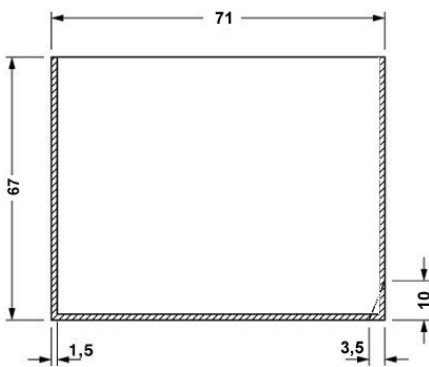
Component mounting side, if the double-level upper part is used



valid for PCB 1; 2; 3; 4; 5 und 6, see explosion drawing



valid for PCB 7; 8; 11 and 12, see explosion drawing



valid for PCB 9, see explosion drawing

Address

PHOENIX CONTACT Inc., USA
586 Fulling Mill Road
Middletown, PA 17057, USA
Phone (800) 888-7388
Fax (717) 944-1625
<http://www.phoenixcon.com>



© 2011 Phoenix Contact
Technical modifications reserved;