

CAMBLOCK

5mm Pitch Standard Profile Terminal Block

- 2-12 pole interlocking
- Moulded in black
- UL94V-0 PA (GF)
- Wire protector terminals
- 0.13-2mm² (26-14 AWG)
- Guided pin alignment
- cULus approved

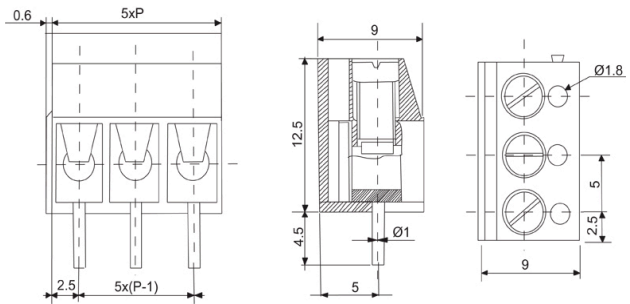
CTB1202



TYPE NO.	POLES	LENGTH
CTB1202/2BK	2	10mm
CTB1202/3BK	3	15mm
CTB1202/4BK	4	20mm
CTB1202/5BK	5	25mm
CTB1202/6BK	6	30mm
CTB1202/7BK	7	35mm
CTB1202/8BK	8	40mm
CTB1202/9BK	9	45mm
CTB1202/10BK	10	50mm
CTB1202/11BK	11	55mm
CTB1202/12BK	12	60mm

SPECIFICATION

Rating	10A/300V
Insulation resistance	5000MΩ/1000V
Working temperature	-33°C to +120°C
Moulding	UL94-V0 flame retardant PA66
Pin/terminal	Brass. Tin plated
Wire clamp	Nickel plated brass
Recommended PCB hole size	ø1.3mm



5mm Pitch 45° Rising Clamp Terminal

- 2-12 pole interlocking
- Moulded in grey
- UL94V-0 PA (GF)
- Professional rising clamp terminal
- 0.2-3.3mm² (24-12 AWG)
- cULus approved

CTB3202



TYPE NO.	POLES	LENGTH
CTB3202/2	2	10mm
CTB3202/3	3	15mm
CTB3202/4	4	20mm
CTB3202/5	5	25mm
CTB3202/6	6	30mm
CTB3202/7	7	35mm
CTB3202/8	8	40mm
CTB3202/9	9	45mm
CTB3202/10	10	50mm
CTB3202/11	11	55mm
CTB3202/12	12	60mm

SPECIFICATION

Rating	10A/300V
Insulation resistance	5000MΩ/1000V
Working temperature	-33°C to +120°C
Cable Entry	0.2-3.3mm ²
Wire clamp	Nickel plated brass
Withstand Voltage	AC2000V/1min
Recommended PCB hole size	ø1.3mm

