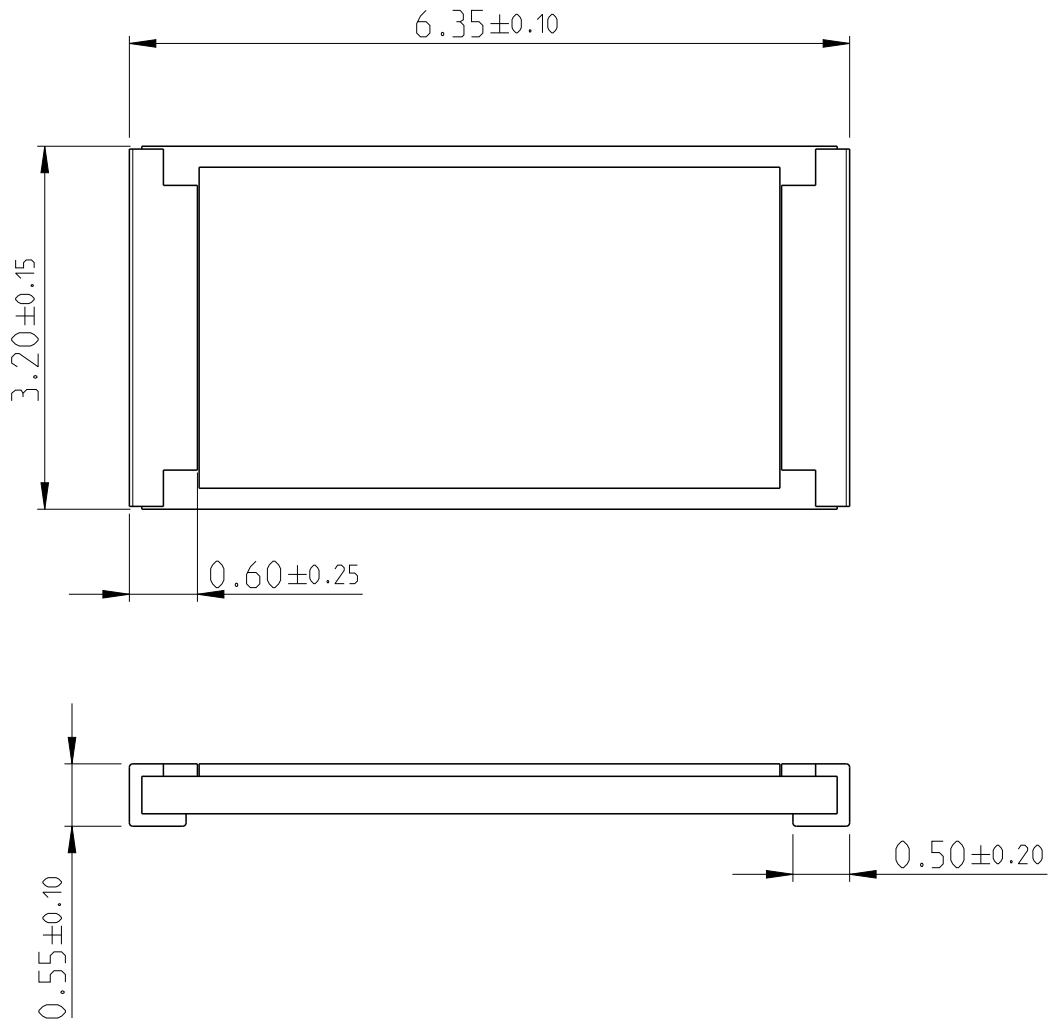
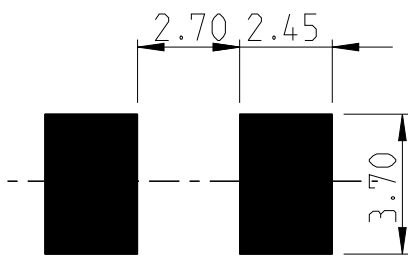


LOC	DIST	REVISIONS					
-	-	P	LTR	DESCRIPTION	DATE	DWN	APVD
		BC		ECR-16-000788	18JAN2016	KR	TN

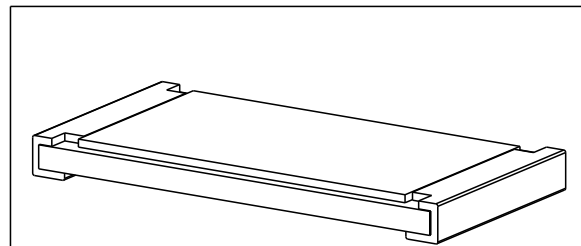


FOR FURTHER INFORMATION SEE PRODUCT SPECIFICATION FOR CRGH SERIES



PCB LAYOUT PLAN

RoHS Compliant



20

RELEASED FOR PUBLICATION

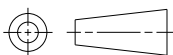
ALL RIGHTS RESERVED.

THIS DRAWING IS UNPUBLISHED.

BY -

© COPYRIGHT 20

DIMENSIONS:	DWN	27JUN2012	MATERIAL	FINISH		
mm	RAGHAVENDRA K		-	-		
TOLERANCES UNLESS OTHERWISE SPECIFIED:	CHK	27JUN2012	 TE Connectivity			
0 PLC ±	ALLAN P					
1 PLC ±0.5	APVD	27JUN2012	NAME SMD POWER RESISTORS - TYPE CRGH2512 SERIES			
2 PLC ±0.13	TONY N					
3 PLC ±0.013	PRODUCT SPEC		SIZE	CAGE CODE	DRAWING NO	RESTRICTED TO
4 PLC ±0.0001	-		A 4	00779	C-1879526	-
ANGLES ±	APPLICATION SPEC		Customer Drawing			
	WEIGHT		SCALE	SHEET	OF	REV
	-		40:1	1	1	BC



# Mouser Electronics

Authorized Distributor

Click to View Pricing, Inventory, Delivery & Lifecycle Information:

[TE Connectivity:](#)

[CRGH2512F19K6](#)