

# MCR-CPSS-I-I-44-E

## Discontinued item

Order No.: 2810900


The illustration shows version MCR-CPS-I-I-44-E



<http://eshop.phoenixcontact.de/phoenix/treeViewClick.do?UID=2810900>


MCR repeater power supply, additionally with HART protocol, input signal: 4..20 mA, output signal: 4..20 mA



Commercial data	
GTIN (EAN)	 4 017918 101404
sales group	H503
Pack	1 pcs.
Customs tariff	85437090
Catalog page information	Page 314 (IF-2007)

**Product notes**

WEEE/RoHS-compliant since:  
11/09/2006



<http://www.download.phoenixcontact.com>  
Please note that the data given here has been taken from the online catalog. For comprehensive information and data, please refer to the user documentation. The General Terms and Conditions of Use apply to Internet downloads.

Technical data	
<b>Input data</b>	
Description of the input	Current input (sensor circuit)
Current input signal	4 mA ... 20 mA
Max. input current	100 mA

Transmitter supply voltage range	20 V ... 32 V
Transmitter supply current	< 30 mA

#### Output data

Output name	Current output
Current output signal	4 mA ... 20 mA
Max. output current	Approx. 28 mA
Output current with wire break	0 mA
Output current with short-circuit	> 20 mA
Load/output load current output	≤ 500 Ω

#### Power supply

Supply voltage range	20 V DC ... 30 V DC
Max. current consumption	Approx. 70 mA

#### Connection data

Connection method	Pluggable screw connection
Conductor cross section solid min.	0.2 mm <sup>2</sup>
Conductor cross section solid max.	2.5 mm <sup>2</sup>
Conductor cross section stranded min.	0.2 mm <sup>2</sup>
Conductor cross section stranded max.	2.5 mm <sup>2</sup>
Conductor cross section AWG/kcmil min.	24
Conductor cross section AWG/kcmil max	14
Stripping length	8 mm
Screw thread	M3

#### General data

No. of channels	1
Width	17.5 mm
Height	99 mm
Depth	114.5 mm
Maximum transmission error	≤ 0.1 % (of final value)
Maximum temperature coefficient	< 0.01 %
Limit frequency (3 dB)	30 Hz
Step response (10-90%)	Approx. 10 ms
Protective circuit	Transient protection
Ambient temperature (operation)	-20 °C ... 65 °C

Test voltage, input/output/supply	1 kV (50 Hz, 1 min.)
Color	green
Housing material	Polyamide PA non-reinforced
Mounting position	Any
Conformance	CE-compliant
UL, USA / Canada	cULus

**Data communication (bypass)**

Protocols supported	HART
---------------------	------

**Certificates / Approvals**

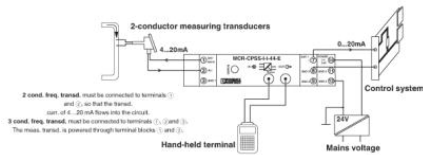


Certification

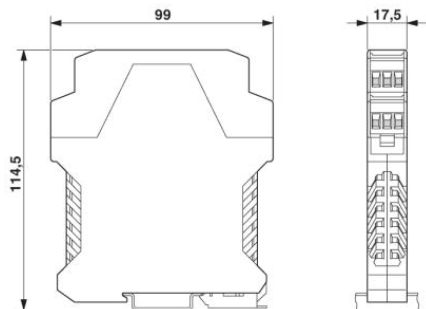
CUL, GOST, UL

**Diagrams/Drawings**

Application drawing



Dimensioned drawing





**Address**

PHOENIX CONTACT Inc., USA  
586 Fulling Mill Road  
Middletown, PA 17057, USA  
Phone (800) 888-7388  
Fax (717) 944-1625  
<http://www.phoenixcon.com>



© 2011 Phoenix Contact  
Technical modifications reserved;