

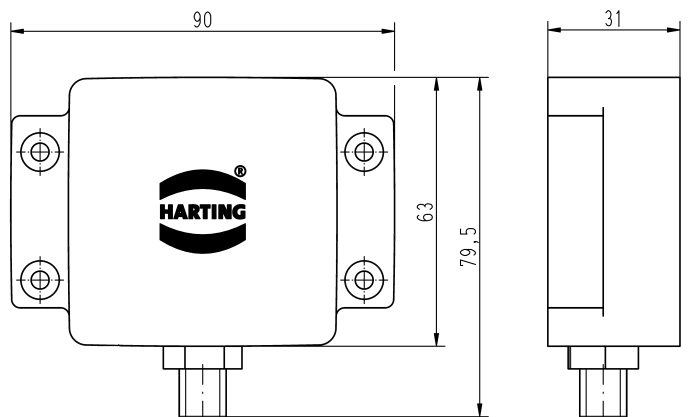


Ha-VIS RF-ANT-LR10 Planar RFID antenna

Identification	Part number	Drawing	Dimensions in mm
----------------	-------------	---------	------------------

Ha-VIS RF-ANT-LR10

20 93 201 0303



Recommended accessories

Antenna cables

Ha-VIS Coax ...		
... SMA-TNC, RG58	3 m	20 93 204 0101
... SMA-TNC, LL240flex	3 m	20 93 204 0102
... SMA-TNC, LL240flex	10 m	20 93 204 0103

All data represent the current state of development at the time of print and are therefore non-binding.

HARTING reserves the right to modify designs without prior notice.

Technical characteristics

Electric properties

Frequency range	865 ... 928 MHz
Gain	-30 dBi
EIFF *	15 dB
VSWR	< 1.2:1
Impedance	50 Ohm
Range of near field tags **	3 cm
Selectivity of near field tags **	3 cm
Range for far field tags **	8 cm
Selectivity for far field tags**	10 cm
Max. input power	1 W (compliant to FCC)
Connection	TNC socket

Mechanical properties

Dimensions (B x H x T)	90 x 63 x 31 mm
Weight	0.1 kg
Degree of protection	IP 67
Antenna cover	Tough, weather-resistant polymer blend
Colour	RAL 7045 (light grey)
Installation	Four through-holes diameter 4.2 mm for M4 screws
Operating temperature range	-20 °C ... +55 °C
Storage temperature range	-40 °C ... +85 °C

* ... The Effective Isotropic Field Factor (EIFF) shows the field isolation from far field to near field standardized to an isotropic radiator. The values were determined with 3 cm spacing.

** ... dependent upon transmission power and tag typ

Mouser Electronics

Authorized Distributor

Click to View Pricing, Inventory, Delivery & Lifecycle Information:

[HARTING:](#)

[20932010303](#)