

## Surge protection device - MT-TTY-1 - 2763523


Please be informed that the data shown in this PDF Document is generated from our Online Catalog. Please find the complete data in the user's documentation. Our General Terms of Use for Downloads are valid (<http://phoenixcontact.com/download>)



Rail-mountable module with surge protection for TTY interface, for mounting on NS 35/7.5, housing width: 30 mm



### Key Commercial Data

Packing unit	1 pc
GTIN	 4 017918 065607
Weight per Piece (excluding packing)	67.75 g
Custom tariff number	85363010
Country of origin	Germany

### Technical data

#### Dimensions

Height	77.5 mm
Width	27.4 mm
Depth	54.9 mm

#### Ambient conditions

Ambient temperature (operation)	-20 °C ... 60 °C
Degree of protection	IP20

#### General

Color	black
Mounting type	DIN rail: 35 mm
Type	Rail-mountable module, one-piece
Direction of action	Line-Line & Line-Earth Ground

#### Protective circuit

## Surge protection device - MT-TTY-1 - 2763523

### Technical data

#### Protective circuit

IEC test classification	C2
	C3
VDE requirement class	C2
	C3
Maximum continuous voltage $U_C$ (wire-ground)	24 V DC
Nominal current $I_N$	300 mA
Operating effective current $I_C$ at $U_C$	$\leq 10 \mu\text{A}$
Nominal discharge current $I_n$ (8/20) $\mu\text{s}$ (Core-Earth)	5 kA
Output voltage limitation at 1 kV/ $\mu\text{s}$ (Core-Core) spike	$\leq 35 \text{ V}$
Output voltage limitation at 1 kV/ $\mu\text{s}$ (Core-Earth) spike	$\leq 450 \text{ V}$
Output voltage limitation at 1 kV/ $\mu\text{s}$ (Core-Core) static	$\leq 35 \text{ V}$
Output voltage limitation at 1 kV/ $\mu\text{s}$ (Core-Earth) static	$\leq 450 \text{ V}$
Residual voltage at $I_n$ (conductor-conductor)	$\leq 35 \text{ V}$
Voltage protection level $U_p$ (core-core)	$\leq 35 \text{ V}$
Voltage protection level $U_p$ (core-ground)	$\leq 450 \text{ V}$
Response time $t_A$ (Core-Core)	$\leq 1 \text{ ns}$
Response time $t_A$ (Core-Earth)	$\leq 100 \text{ ns}$
Cut-off frequency $f_g$ (3 dB), sym. in 50 Ohm system	4 MHz
Cut-off frequency $f_g$ (3 dB), sym. in 600 Ohm system	300 kHz
Resistance in series	4.7 $\Omega$

#### Connection data

Connection method	Screw connection
Connection type IN	Screw terminal blocks
Connection type OUT	Screw terminal blocks
Screw thread	M3
Stripping length	8 mm
Conductor cross section flexible	0.2 mm <sup>2</sup> ... 2.5 mm <sup>2</sup>
Conductor cross section solid	0.2 mm <sup>2</sup> ... 4 mm <sup>2</sup>
Conductor cross section AWG	24 ... 12

#### Standards and Regulations

Standards/regulations	Draft IEC 64644-1
	E VDE 0845-3-1

# Surge protection device - MT-TTY-1 - 2763523

## Classifications

### eCl@ss

eCl@ss 4.0	27140201
eCl@ss 4.1	27130801
eCl@ss 5.0	27130801
eCl@ss 5.1	27130801
eCl@ss 6.0	27130807
eCl@ss 7.0	27130807
eCl@ss 8.0	27130807
eCl@ss 9.0	27130807

### ETIM

ETIM 2.0	EC000943
ETIM 3.0	EC000943
ETIM 4.0	EC000943
ETIM 5.0	EC000943

### UNSPSC

UNSPSC 6.01	30212010
UNSPSC 7.0901	39121610
UNSPSC 11	39121610
UNSPSC 12.01	39121610
UNSPSC 13.2	39121620

## Approvals

### Approvals

---

Approvals

EAC

---

Ex Approvals

---

Approvals submitted

---

Approval details

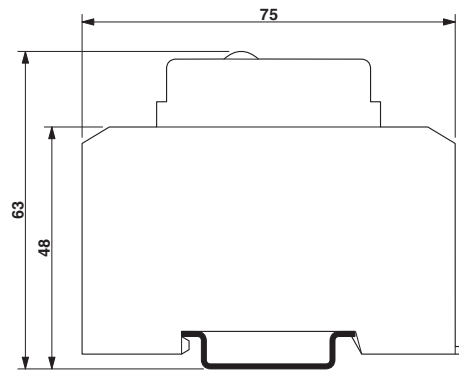
## Surge protection device - MT-TTY-1 - 2763523

### Approvals

EAC

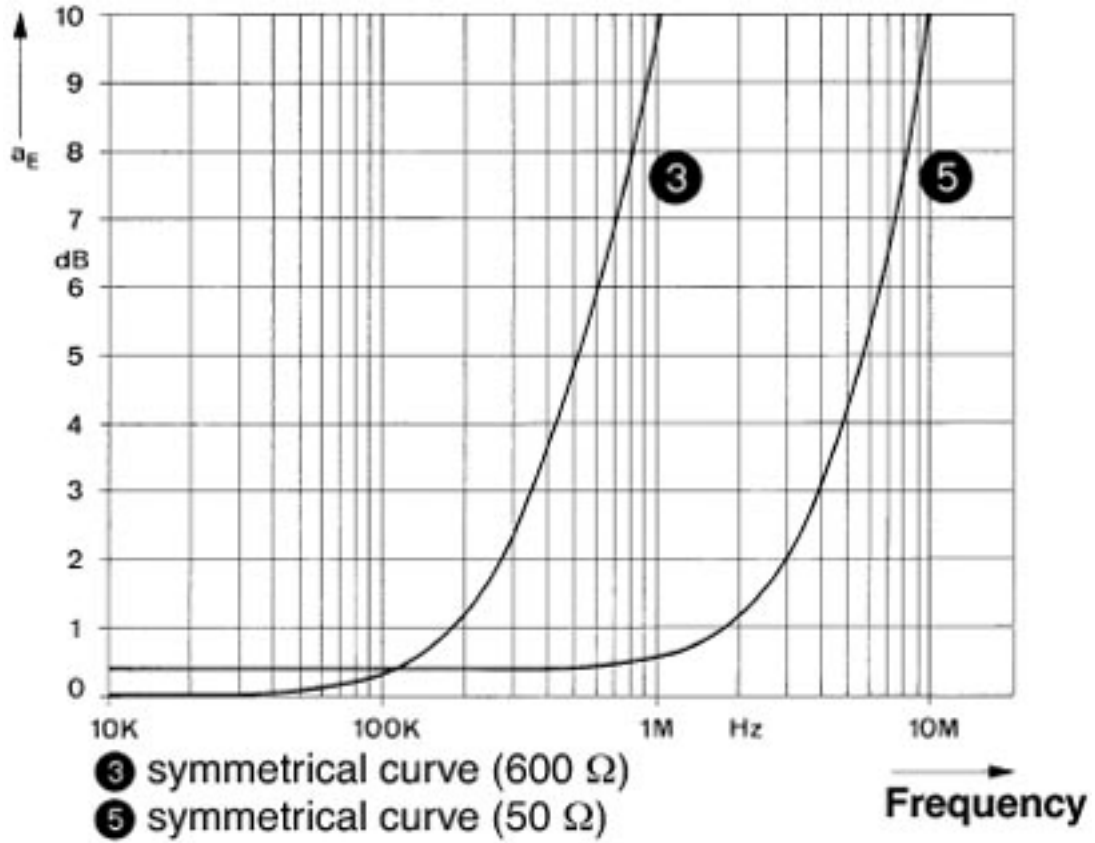
### Drawings

Dimensional drawing



# Surge protection device - MT-TTY-1 - 2763523

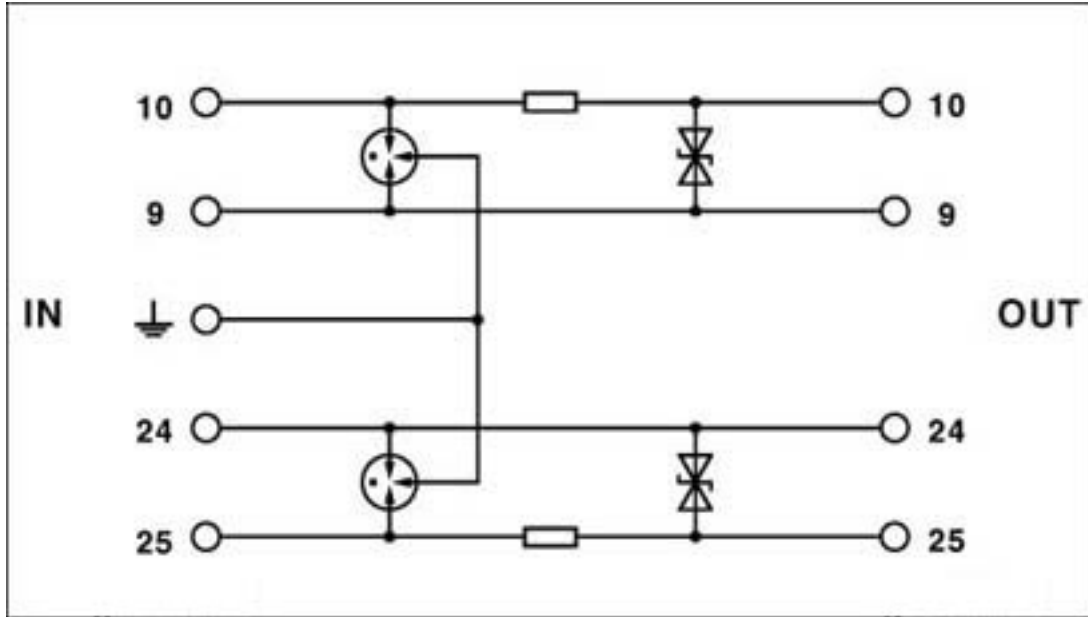
Diagram



Characteristic attenuation curve

# Surge protection device - MT-TTY-1 - 2763523

Circuit diagram



# Mouser Electronics

Authorized Distributor

Click to View Pricing, Inventory, Delivery & Lifecycle Information:

[Phoenix Contact:](#)

[2763523](#)