

**Post Header for Printed Circuit Board (Cont'd)**

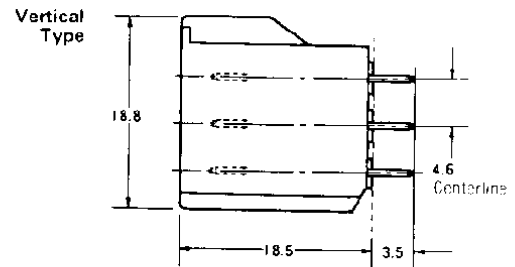
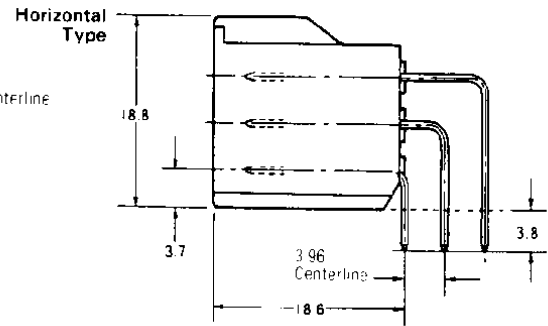
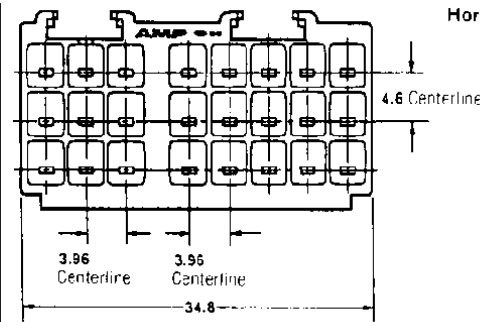
**Horizontal and Vertical Mount Type**

**For 24 Circuits**  
(9pos. - 15pos.)

**Part No.:**  
**282326-1**(Horizontal)  
**282327-1**(Vertical)

Mating Plug HSG:  
Part No.: 176276-□(9pos.)  
176279-□(15pos.)

**Material and Finish:**  
Housing—GF FR PBT  
black  
Contact—brass, tin-lead  
plated

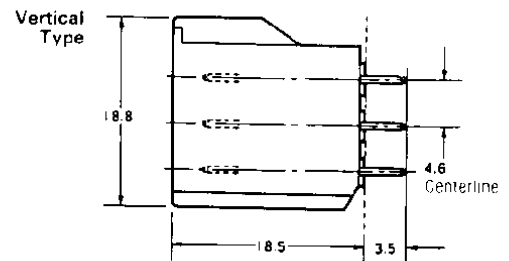
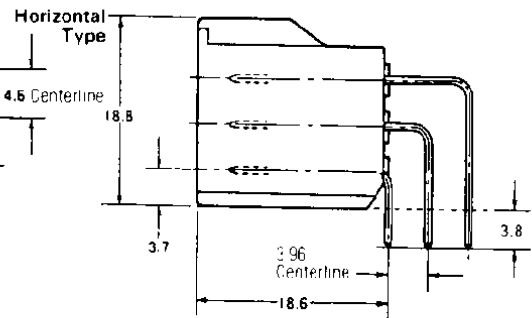
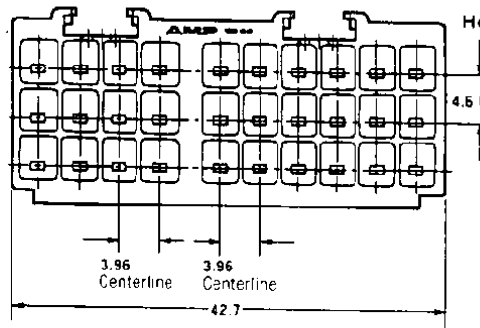


**For 30 Circuits**  
(12pos. + 18pos.)

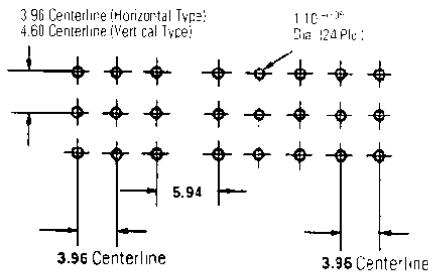
**Part No.:**  
**282328-1** (Horizontal)  
**282329-1** (Vertical)

Mating Plug HSG:  
Part No. :  
176278-□ (12pos.)  
176280-□ (18pos.)

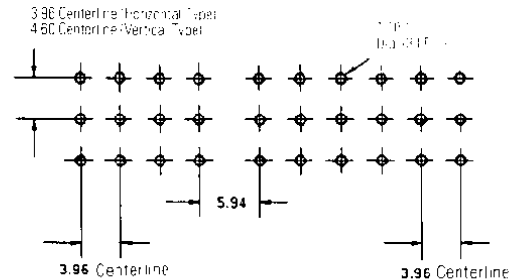
**Material and Finish:**  
Housing—GF FR PBT  
black  
Contact—brass, tin-lead  
plated



**PC Board Layout**



**For 24 Position**



**For 30 Position**