

2-Conductor disconnect terminal block; with test option; orange disconnect link

Item No.: 2006-1671



2-Conductor disconnect terminal block; with test option; orange disconnect link

Marking

RoHS ✓
Compliant

Business data

Supplier	WAGO
Item no.	2006-1671
GTIN / EAN	4050821182078
Content	1
Order amount	25
Customer item number	

Notes

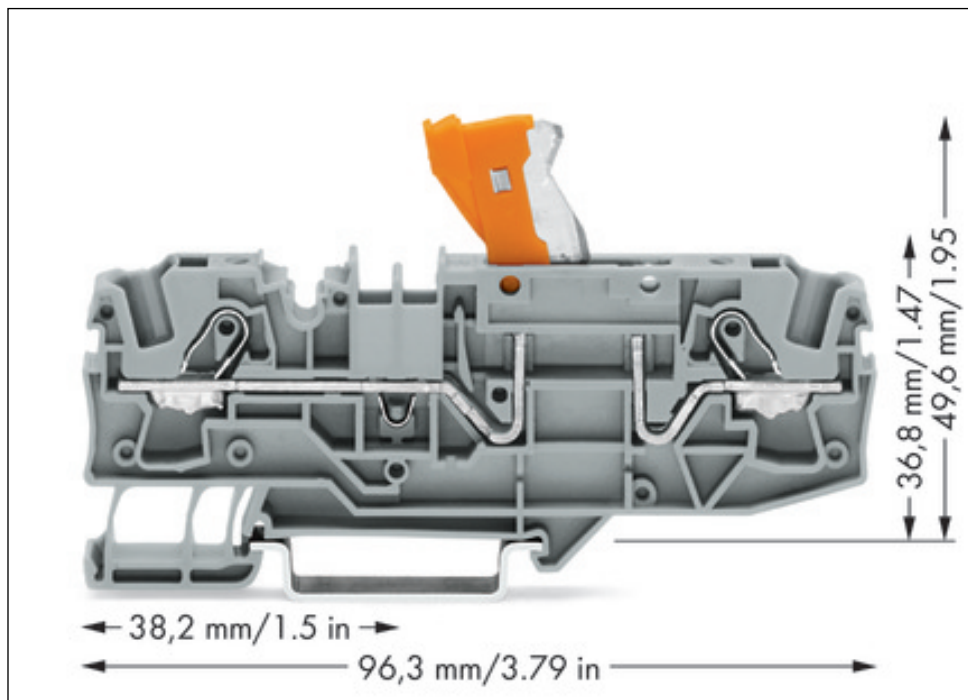
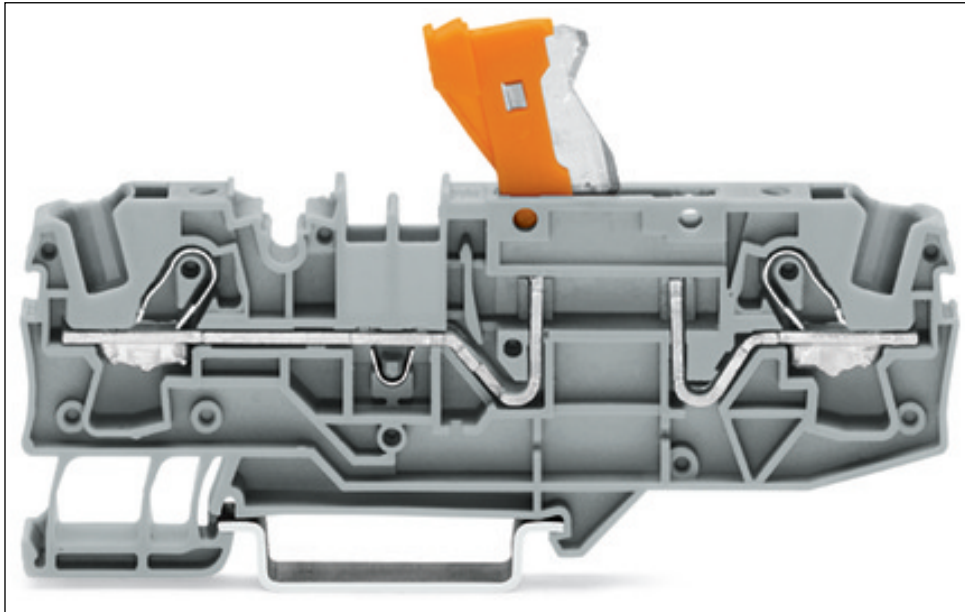
Technical data

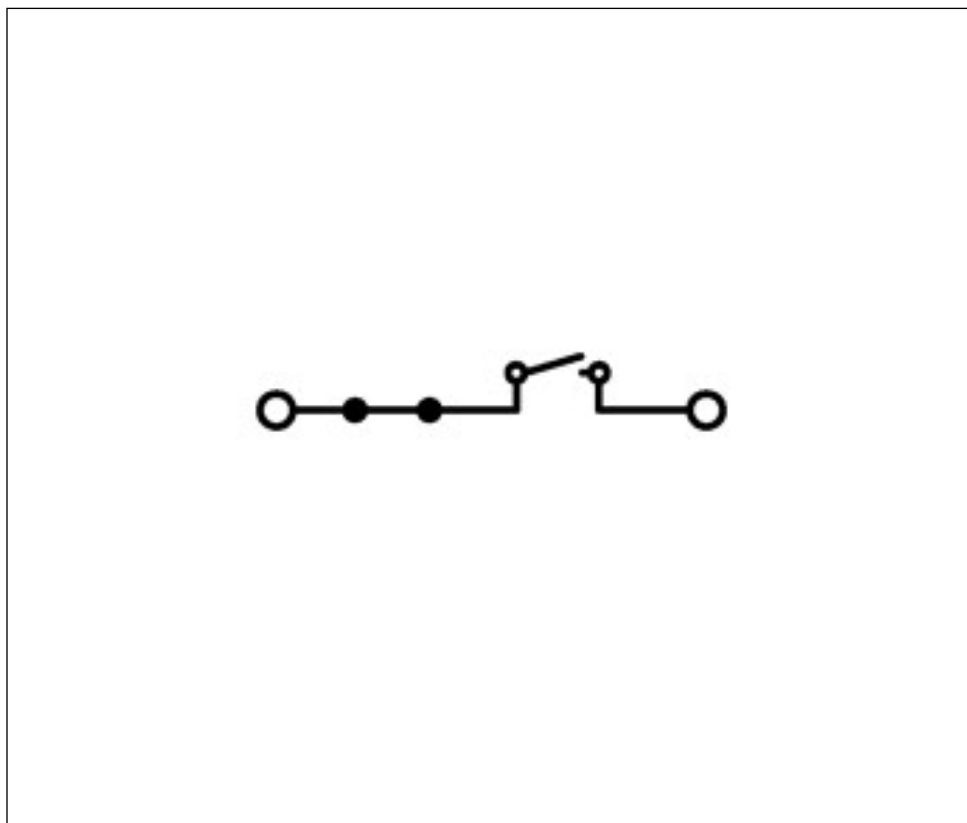
Miscellaneous

Total number of connection points	2
Total number of potentials	1
Color	gray
Pollution degree (1)	3
Rated voltage EN (1) [V]	800 [V]
Rated surge voltage (1) [kV]	8 [kV]
Nominal current [A]	30 [A]
Connection technology (1)	Push-in CAGE CLAMP®
Nominal cross section 1	6 mm ²

Technical data	
<i>Solid sizes 1</i>	<i>0.5 ... 10 mm² / 20 ... 8 AWG</i>
<i>solid, directly pluggable 1</i>	<i>1 ... 10 mm² / 14 ... 8 AWG</i>
<i>Fine-stranded wires 1</i>	<i>0.5 ... 10 mm² / 20 ... 8 AWG</i>
<i>min. fine-stranded with insulated ferrule, push-in terminati</i>	<i>1.5 mm² / 16 AWG</i>
<i>Strip length 1</i>	<i>13 ... 15 mm / 0.51 ... 0.59 in</i>
<i>Type of wiring</i>	<i>Front-entry wiring</i>
<i>Design</i>	<i>horizontal</i>
<i>Marking level</i>	<i>Center/Side marking</i>
<i>Insulating material</i>	<i>Polyamide 66 (PA 66)</i>
<i>Fire load [MJ]</i>	<i>0.341 [MJ]</i>
<i>Weight [g]</i>	<i>19.5 [g]</i>
<i>Width</i>	<i>7.5 mm / 0.295 in</i>
<i>Height from upper-edge of DIN-rail [mm]</i>	<i>36.8 [mm]</i>
<i>Height from upper-edge of DIN-rail</i>	<i>36.8 mm / 1.449 in</i>
<i>Length</i>	<i>96.3 mm / 3.791 in</i>
<i>Type of mounting</i>	<i>DIN 35 rail</i>

Images & drawings





Address

WAGO Kontakttechnik GmbH & Co. KG

Hansastr. 27

32423 Minden

Telefon: 0571/887-0

Fax: 0571/887-169

<http://www.wago.com>

© WAGO Kontakttechnik GmbH & Co. KG

Technische Änderungen und Irrtümer vorbehalten.